

PARTS & SERVICE NEWS

REF NO.	AA97165
DATE	October 24, 1997

Page 1 of 1

SUBJECT: New Bosch Overflow Valve

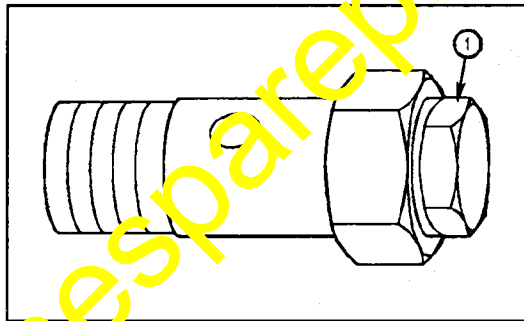
PURPOSE: To introduce a new overflow valve.

APPLICATION: 102 Series and 114 Series Engines
Refer to Parts & Service News AA97079 for chassis applications

DESCRIPTION:

Introduction:

This **PARTS & SERVICE NEWS** introduces a new overflow valve, P/N 6742-01-5050, for the Bosch inline pumps. The new valve has been improved to provide increased durability. This new overflow valve supersedes the two valves, P/n 6742-01-2100, now in use on the inline pumps



Bosch Overflow Valve

Do not bleed the low pressure fuel system by the hex cap (1) in the overflow valve. This cap holds the spring ball assembly in the valve. Loosening this cap could cause leaks and effect the performance of the valve. When bleeding the low pressure system, loosen the entire valve.

NOTE: This is a product improvement and is **not** subject to campaign.

<https://hespareparts.com/>