

PARTS & SERVICE NEWS

REF NO.	AA97176
DATE	November 19, 1997

Page 1 of 6

SUBJECT: FAN DRIVE

PURPOSE: To release revised service parts for the fan drive assembly.

APPLICATION: Q19: WA600-1LE Wheel Loader S/N A51001 and up

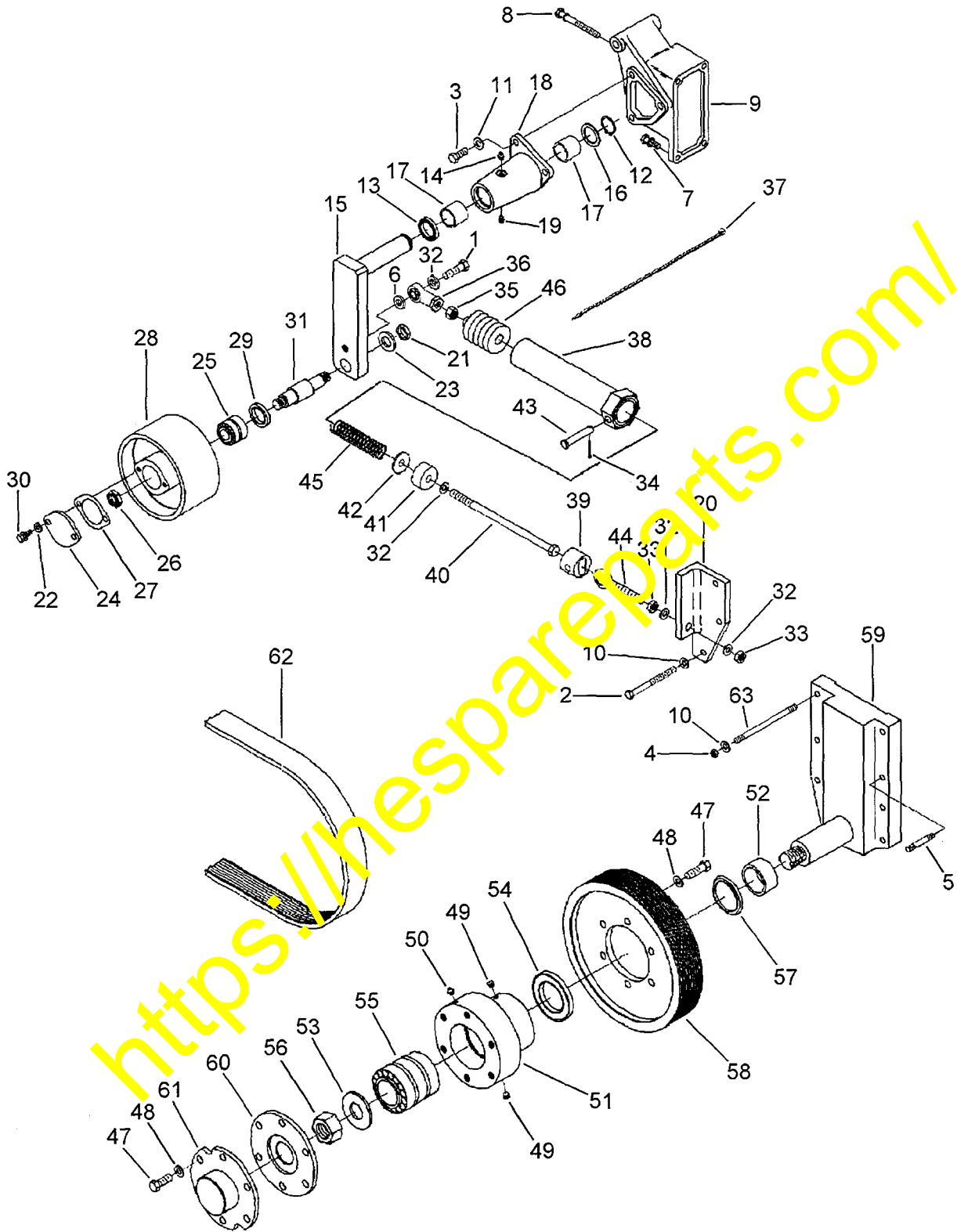
DESCRIPTION: To update parts book with revised service parts for the fan drive on the Q19 engine in WA600-1LE application.

Introduction:

The service parts for the fan drive on the Q19 engine in the WA600-1LE Wheel Loader have been revised to reflect all current parts and supersessions. For details, please see the subsequent pages of this PARTS AND SERVICE NEWS.

<https://hespareparts.com/>

FAN DRIVE

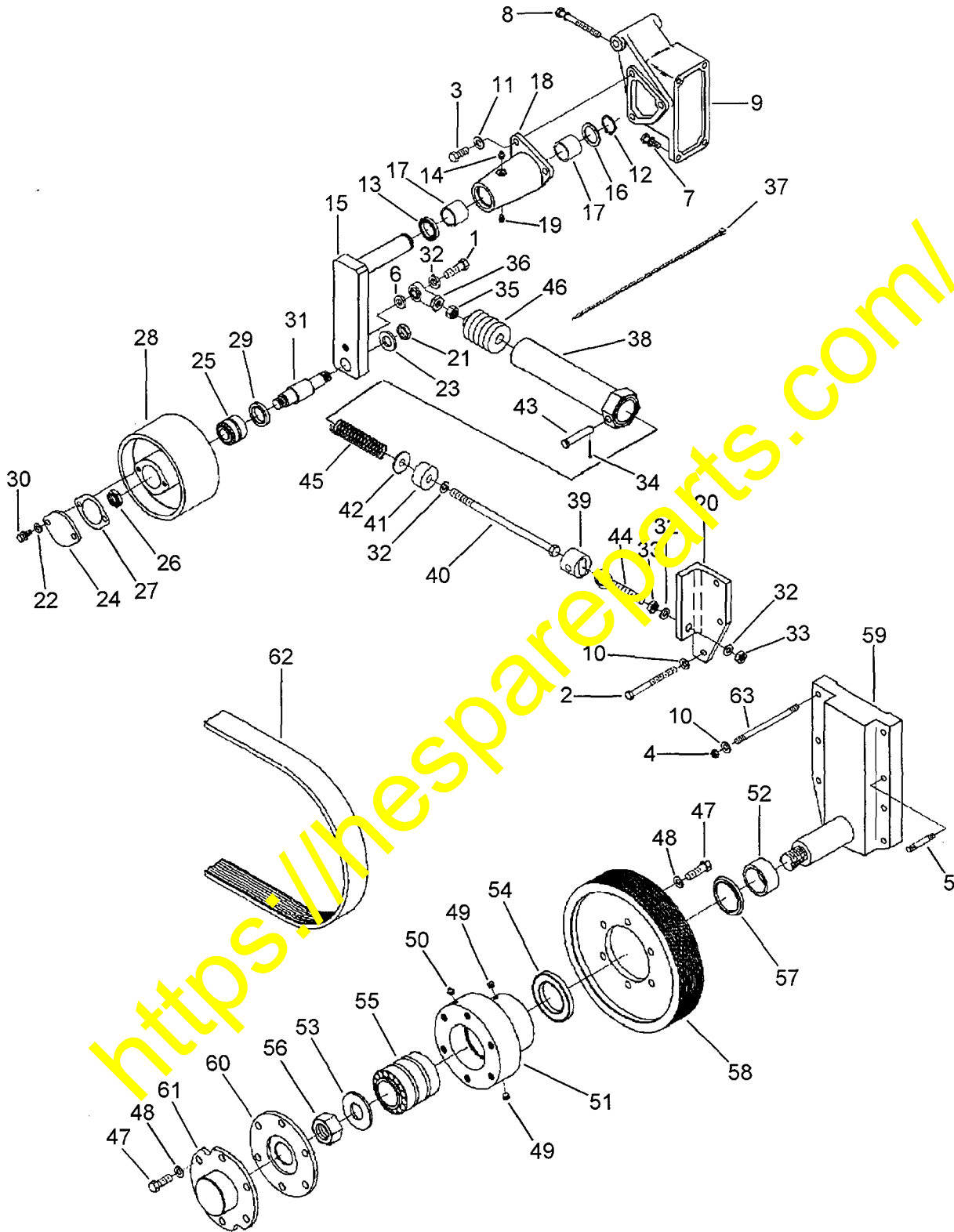


E5AL0040

FAN DRIVE

Item	Part Number	Description	Qty.	Ref.
1	1238 010 H1	BOLT (1/2 - 13x1.50 INCH)	1	
2	6216-94-3430	BOLT (3/8 - 16x4.50 INCH)	3	
3	1307 754 H1	BOLT (7/8 - 14x1.125 INCH)	3	
4	NSS	NUT, REGULAR HEXAGON	8	
5	1310 187 H1	STUD	3	
6	1307 756 H1	WASHER, PLAIN	1	
7	6216-94-3790	BOLT (3/8 - 16x1.25 INCH)	2	
8	1239 213 H1	BOLT (3/8 - 16x3.75 INCH)	2	
9	1239 765 H1	SUPPORT, ALTERNATOR	1	
10	1267 715 H1	WASHER, PLAIN	11	
11	1307 758 H1	WASHER, PLAIN	3	
	1307 759 H91	LEVER, IDLER	1	
12	6216-64-4540	.RING, RETAINING	1	
13	1307 760 H1	.SEAL, OIL	1	
14	6216-24-3910	.FITTING, GREASE	1	
15	6216-64-4610	.LEVER, IDLER	1	
16	6216-64-4550	.WASHER, PLAIN	1	
	1310 193 H1	.SUPPORT, PIVOT SHAFT	1	
17	6216-64-4580	..BUSHING	2	
18	2616-64-4630	..SUPPORT, PIVOT SHAFT	1	
19	1307 761 H1	.GREASE, FITTING	1	
20	1307 794 H1	BRACKET, BELT TENSIONER	1	
	1307 767 H91	PULLEY, IDLER	1	
21	6216-64-3980	.NUT, REGULAR HEXAGON JAM	1	
22	6216-64-3990	.WASHER, PLAIN	2	
23	6216-64-4110	WASHER, PLAIN	1	
24	6216-64-4120	.COVER, WATER CONN	1	
25	6216-64-4130	.BEARING, ROLLER	1	
26	6216-64-4140	.NUT, LOCK	1	
27	6216-64-4150	.GASKET, FLANGE	1	
28	1307 768 H1	.PULLEY, IDLER	1	
29	6216-64-4180	.SEAL, OIL	1	
30	6216-64-4160	.BOLT (5/16 - 18x0.87 INCH)	2	
31	1307 769 H1	.SHAFT, IDLER	1	
	6216-64-4370	TENSIONER, BELT	1	
32	6216-64-4410	.WASHER, PLAIN	3	

FAN DRIVE



E5AL0040

FAN DRIVE

Item	Part Number	Description	Qty.	Ref.
33	6216-84-6330	.NUT, REGULAR HEXAGON JAM	2	
34	6216-64-4380	.PIN, COTTER	1	
35	6216-64-4390	.NUT, REGULAR HEXAGON	1	
36	6216-64-3680	.END, CONTROL ROD	1	
37	6216-64-4420	.CLAMP, WIRE TIE	2	
38	6216-64-4430	.HOUSING, BELT TENSIONER	1	
39	6216-64-4440	.RETAINER, CONTROL ROD	1	
40	6216-64-4450	.BOLT (1/2 - 20x10 INCH)	1	
41	6216-64-4460	.GUIDE, SPRING	1	
42	6216-64-4470	.RETAINER, SPRING	1	
43	6216-64-4480	.PIN, CLEVIS	1	
44	6216-64-4490	.END, CONTROL ROD	1	
45	6216-64-4510	.SPRING, COMPRESSION	1	
46	6216-64-4520	.SEAL, DUST	1	
	1310 194 H1	HUB, FAN	1	
47	1238 010 H1	.BOLT (1/2 - 13x1.50 INCH)	12	
48	6216-64-4410	.WASHER, PLAIN	12	
49	6216-64-5810	.PLUG, PIPE	2	
50	6216-24-3910	.FITTING, GREASE	1	
51	1310 191 H1	.HUB, FAN	1	
52	1307 784 H1	.SLEEVE, WEAR	1	
53	1307 791 H1	.WASHER, PLAIN	1	
54	1307 785 H1	.SEAL, OIL	1	
55	1307 786 H1	.BEARING, ROLLER	1	
56	1307 787 H1	.NUT, LOCK	1	
57	1307 790 H1	.SEAL, DUST	1	
58	1310 148 H1	.PULLEY, FAN	1	
59	1310 195 H1	.SPINDLE, FAN	1	
60	1310 192 H1	.ADAPTER, PILOT	1	
61	1238 819 H1	SPACER, FAN PILOT	1	
62	1310 149 H1	BELT, V RIBBED	1	
63	1239 898 H1	STUD	5	

MEMORANDA

<https://hespareparts.com/>