

PARTS & SERVICE NEWS

REF NO.	AA97181
DATE	October 17, 1997

Page 1 of 2

SUBJECT: UPGRADE TURN SIGNAL FLASHER SWITCH

PURPOSE: Provide release updated parts for service.

APPLICATION: GD530AW-1 Graders Serial Number 200840 thru 201999
 GD650AW-1 Graders Serial Number 200840 thru 201999
 GD670AW-1 Graders Serial Number 200840 thru 201999
 GD530AW-2 Graders Serial Number 202002 thru 202450
 GD650AW-2 Graders Serial Number 202002 thru 202450
 GD670AW-2 Graders Serial Number 202002 thru 202450
 830 Graders Serial Number 100496 thru 202450
 850 Graders Serial Number 100477 thru 202450
 870 Graders Serial Number 100481 thru 202450

DESCRIPTION:

Introduction:

The turn signal flasher has been upgraded for heavy duty use. When existing unit fails, replace with 1436533H1 as presented herein.

The following parts will be needed for switch replacement:

Part Number	Qty.	Description
1436533H1	1	Flasher, Turn Signal
27694R1	1	Clamp

NOTE: This is a product improvement **not** subject to campaign.

1. Disconnect harness from existing flasher unit (1). Remove two bolts, washers and nuts (2); remove old flasher unit.

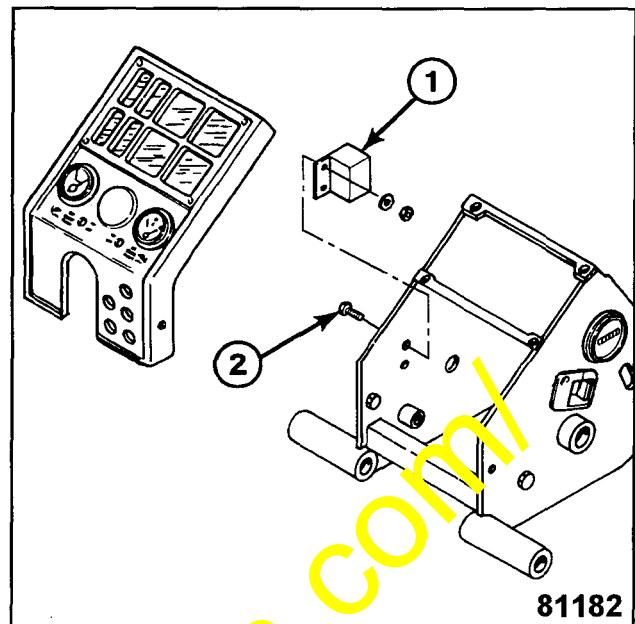


Figure 1

2. Install new 1436533H1 flasher unit (1) with 27694R1 clamp (2) and one bolt, washer and nut (3) removed from old flasher unit.
3. Reconnect harness to terminals on new flasher unit.

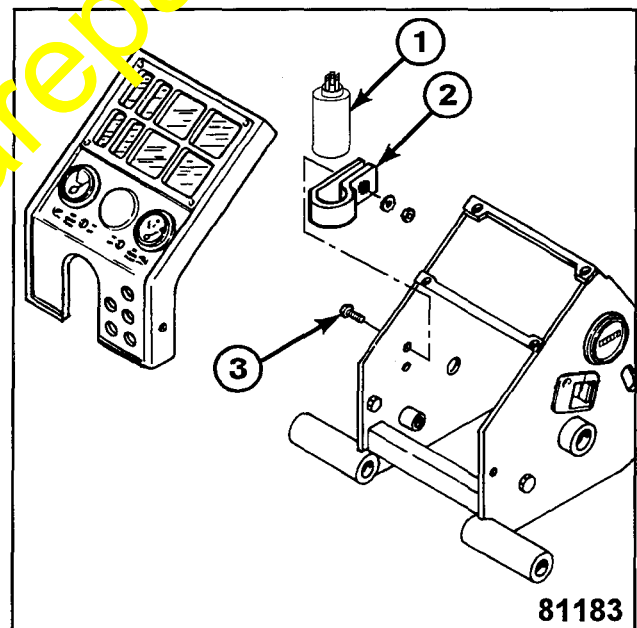


Figure 2