

PARTS & SERVICE NEWS

| | |
|---------|-------------------|
| REF NO. | AA98015 |
| DATE | February 10, 1998 |

Page 1 of 3

SUBJECT: AM/FM RADIO WITH CASSETTE

PURPOSE: To provide correct part numbers for the current radio with cassette.

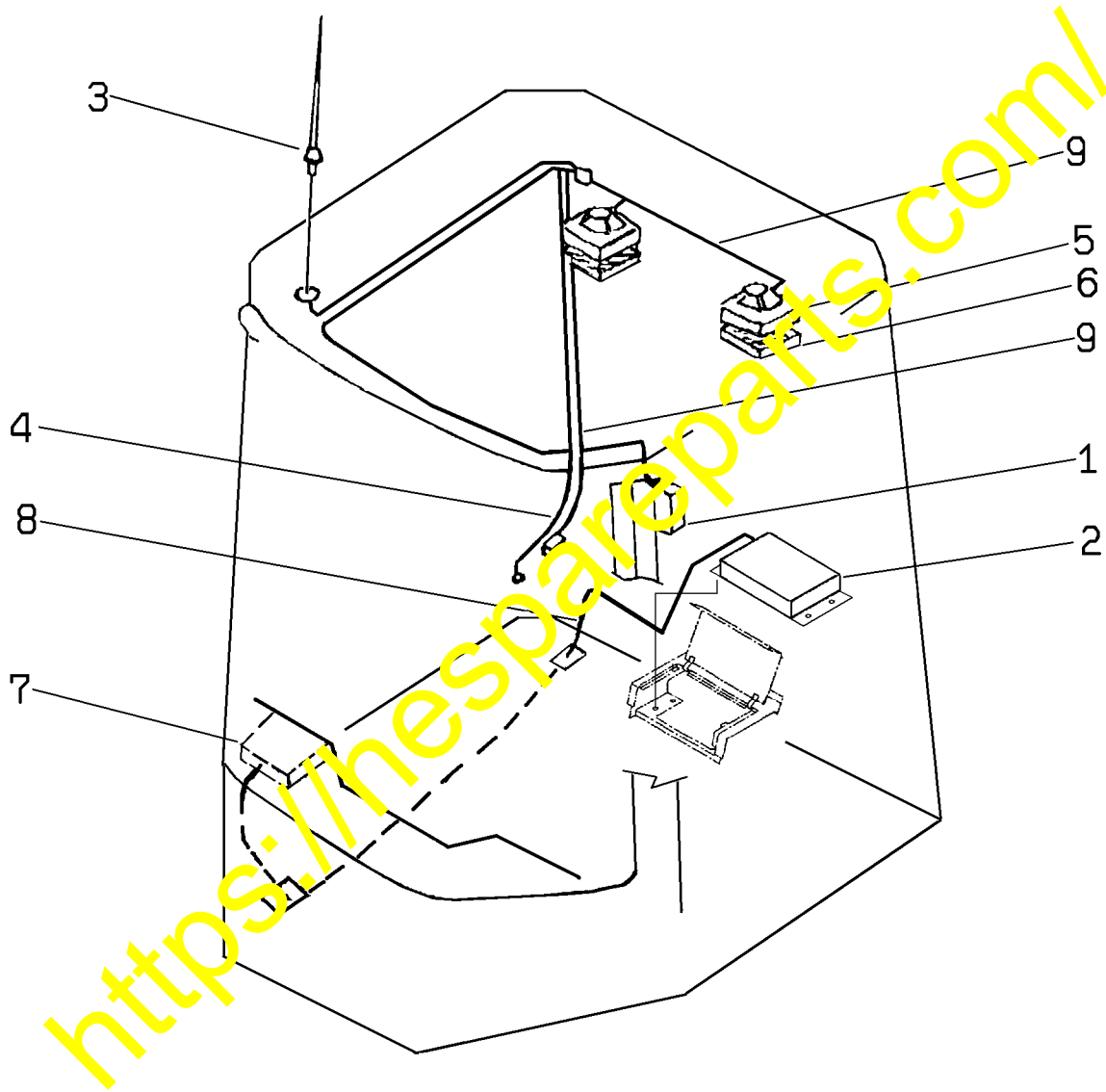
APPLICATION: WA120-3L Wheel Loaders - Serial Number A30001 and up
WA180-3L Wheel Loaders - Serial Number A80001 and up

FAILURE CODE: D01008

DESCRIPTION: To provide correct part numbers for the current radio with cassette.

<https://hespareparts.com/>

AM/FM RADIO WITH CASSETTE



K0810W00.60P

AM/FM RADIO WITH CASSETTE

| Item | Part Number | Description | Qty. | Ref. |
|-------------|--------------------|--------------------------------|-------------|-------------|
| 1 | 417-967-A030 | CRADLE, RADIO MODULE | 1 | |
| 2 | 417-967-A010 | MODULE, RADIO | 1 | |
| | 417-967-A090 | SCREW | 4 | |
| | 01643-30623 | WASHER | 4 | |
| 3 | 417-967-A180 | ANTENNA | 1 | |
| 4 | 417-967-A190 | ANTENNA EXTENSION | 1 | |
| | 417-967-A150 | PLATE, MOUNTING | 1 | |
| 5 | 417-967-A160 | SPEAKER | 2 | |
| 6 | 417-967-A170 | GRILLE | 2 | |
| 7 | 417-967-A040 | CASSETTE DECK | 1 | |
| 8 | 417-967-A140 | CABLE | 1 | |
| 9 | 417-967-A110 | HARNESS, SPEAKER | 1 | |

<https://hespareparts.com/>