

PARTS & SERVICE NEWS

REF NO.	AA98042
DATE	Apr. 23, 1998

Page 1 of 9

SUBJECT: RELEASE UPDATED SERVICE PARTS INFORMATION FOR RADIATOR AND MOUNTING

PURPOSE: To provide the latest service parts information

APPLICATION: WA120-1LC Wheel Loader S/N A50001 and up
WA180-1LC Wheel Loader S/N A75001 and up

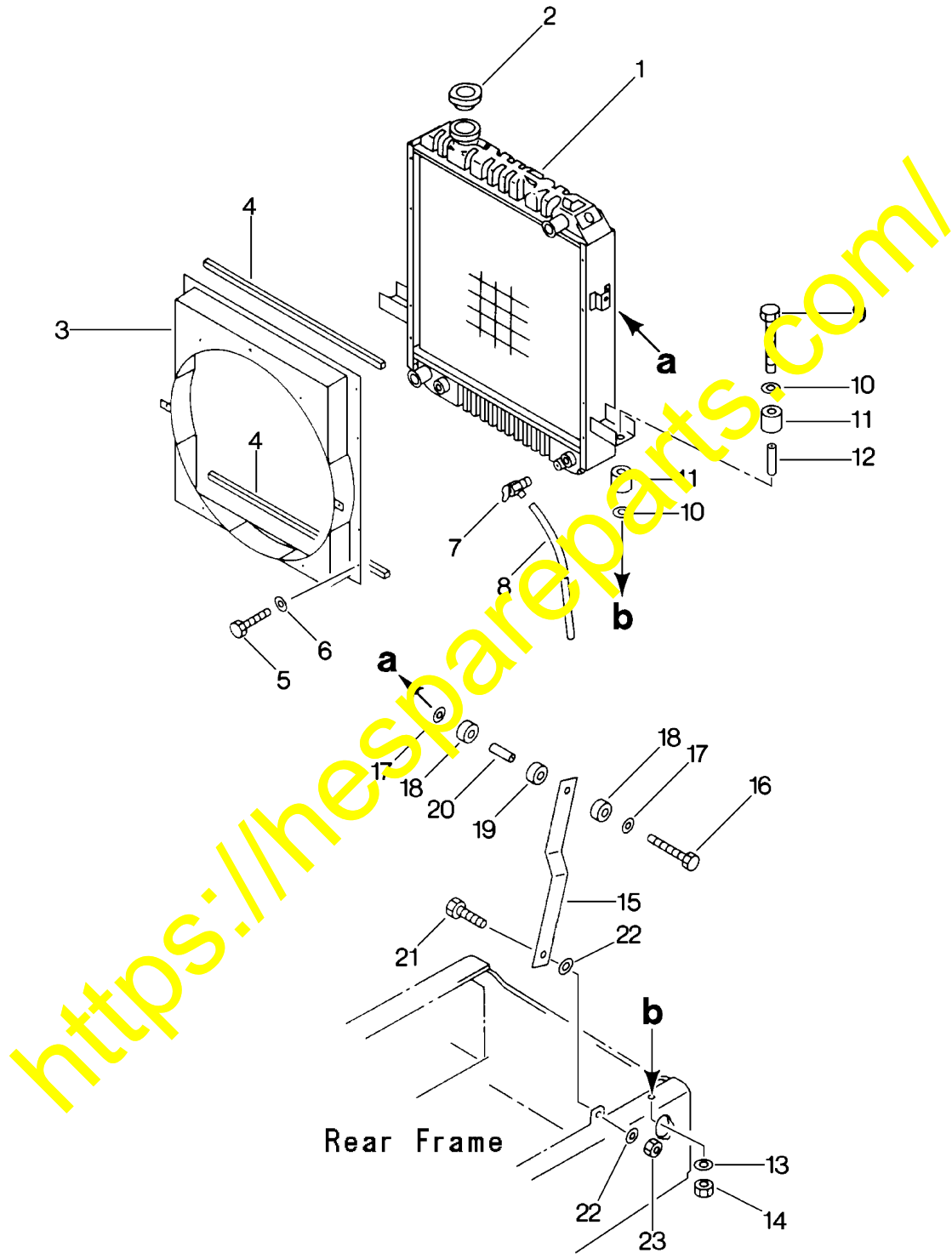
FAILURE CODE: 030099

DESCRIPTION:

This **PARTS & SERVICE NEWS** releases the latest service parts information for radiator and mounting for the above machines. This Parts & Service News is also clarifying existing service parts information. Refer to the subsequent pages of this Parts & Service News for the latest service parts information.

<https://hespareparts.com/>

RADIATOR AND MOUNTING
FOR MODEL WA120-1LC



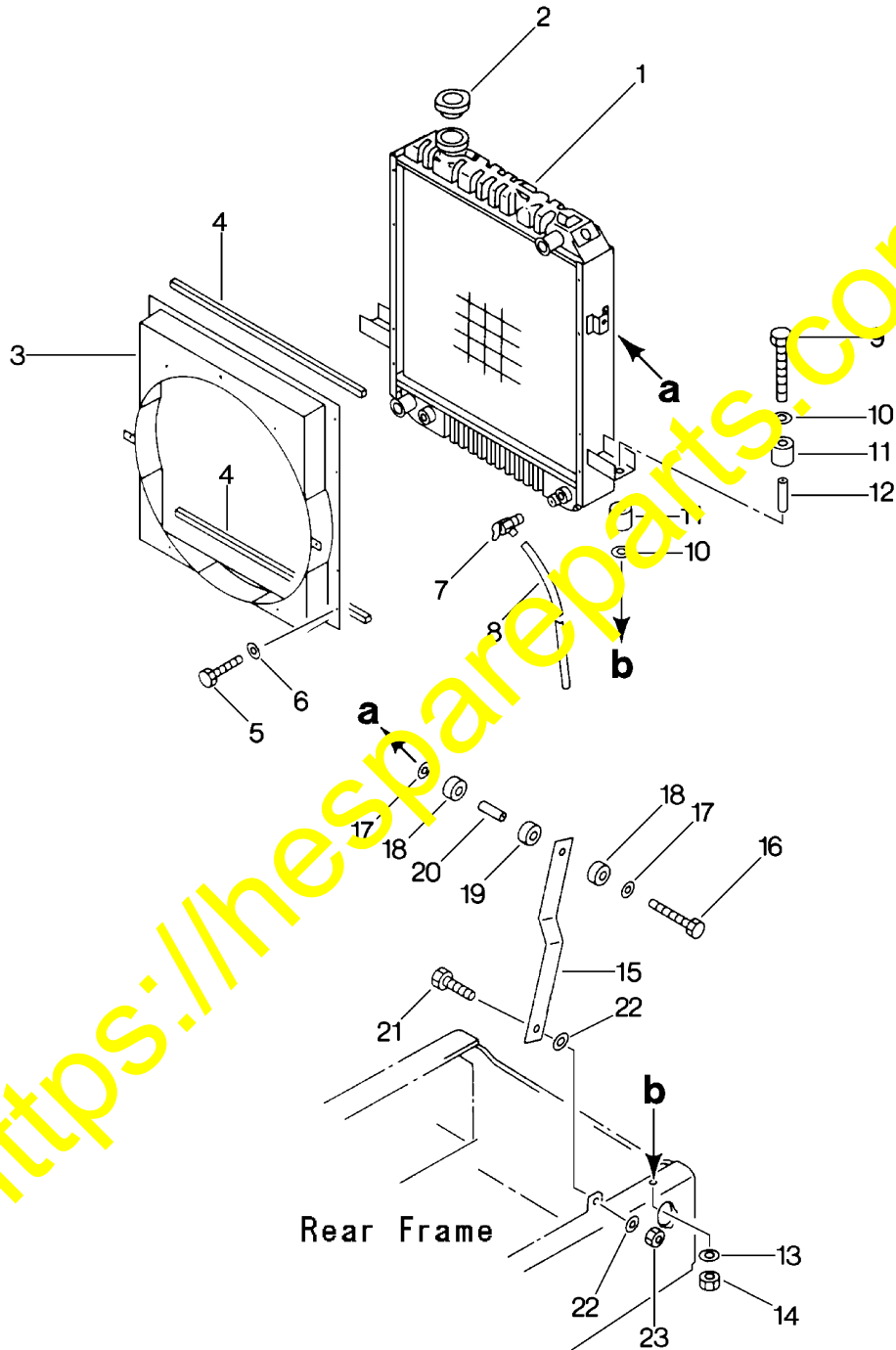
L06AH005

**RADIATOR AND MOUNTING
FOR MODEL WA120-1LC**

Item	Part Number	Description	Qty.	Ref.
	416-03-11600	RADIATOR ASSEMBLY	1	F1, F5
	416-03-A1160	RADIATOR ASSEMBLY	1	F2
	417-03-A1210	RADIATOR ASSEMBLY	1	F3, F6
	417-03-A1500	RADIATOR ASSEMBLY	1	F4
1	416-03-11210	CORE ASSEMBLY W/OIL COOLER, RADIATOR	1	F1
	416-03-A1150	CORE ASSEMBLY W/OIL COOLER, RADIATOR	1	F2
	417-03-A1410	CORE ASSEMBLY W/OIL COOLER, RADIATOR	1	F3
	417-03-A1530	CORE ASSEMBLY W/OIL COOLER, RADIATOR	1	F4
2	416-03-11170	CAP, RADIATOR	1	F1, F2
	417-03-A1280	CAP, RADIATOR	1	F3, F4
3	416-03-11610	SHROUD	1	F1, F2
	417-03-A1320	SHROUD	1	F3, F4
4	416-03-11131	PACKING	2	
5	01010-50816	.BOLT, SHROUD MOUNTING	8	F1, F2
	01010-50825	.BOLT, SHROUD MOUNTING	8	F3, F4
	120 382	.WASHER, LOCK	8	F3, F4
6	01643-30823	.WASHER	8	
7	415-03-11150	DRAIN COCK	1	F1, F2
	415-03-11160	O-RING	1	F1, F2
	417-03-A1310	DRAIN COCK	1	F3, F4
8	416-03-11151	HOSE, RADIATOR DRAIN	1	
9	01010-51265	BOLT, MOUNT RADIATOR TO FRAME (BOTTOM)	2	
10	416-03-11210	WASHER	4	
11	416-03-11221	CUSHION, MOUNTING	4	
12	415-03-11210	SPACER	2	
13	01643-31232	WASHER	2	
14	01580-01210	NUT	2	
15	417-03-10212	BRACKET, RADIATOR MOUNTING	2	
16	01010-51245	BOLT, MOUNTING BRACKET TO RADIATOR (TOP)	2	
17	419-43-17920	WASHER	4	
18	416-03-11260	CUSHION, MOUNTING	4	
19	416-03-11250	CUSHION, MOUNTING	2	

<https://hespareparts.com/>

RADIATOR AND MOUNTING
FOR MODEL WA120-1LC



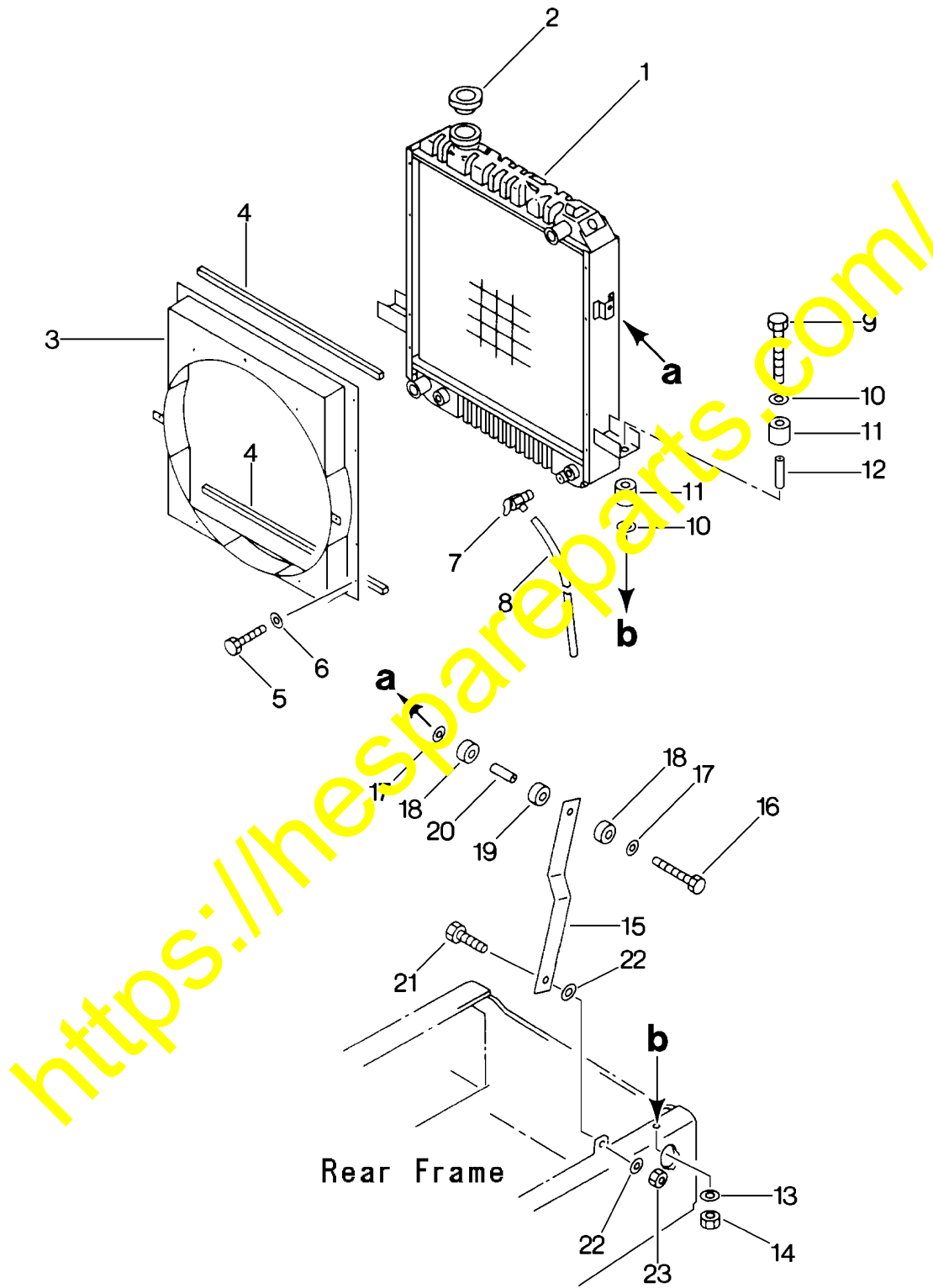
L06AH005

RADIATOR AND MOUNTING
FOR MODEL WA120-1LC

Item	Part Number	Description	Qty.	Ref.
20	416-03-11270	SPACER	2	
21	416-03-11282	BOLT, MOUNTING BRACKET TO FRAME	2	
22	01643-31232	WASHER	4	
23	01580-11210	NUT	2	

- F1 - USED ON MACHINES S/N A20001 THRU A20114 & IDENTIFIED AS A COPAR PART. (WA120)**
- USED ON MACHINES S/N C003001 THRU C003033 & IDENTIFIED AS A COPAR PART. (512)
- F2 USED ON MACHINES S/N A20115 THRU A20225 & IDENTIFIED AS A COPAR CWX PART. (WA120)**
- USED ON MACHINES S/N C003037 THRU C003051 & IDENTIFIED AS A COPAR CWX PART. (512)
- F3 - USED ON MACHINES S/N A20420 THRU A20429 & IDENTIFIED AS A MODINE PART. (WA120)**
- USED ON MACHINES S/N C003052 THRU C003087 & IDENTIFIED AS A MODINE PART. (512)
- F4 - USED ON MACHINES S/N A20430 AND UP. (WA120)**
- USED ON MACHINES S/N C003088 AND UP. (512)
- F5 - ORDER RADIATOR ASSEMBLY, 416-03-A1160.**
- F6 - ORDER RADIATOR ASSEMBLY, 417-03-A1500.**

RADIATOR AND MOUNTING
FOR MODEL WA180-1LC



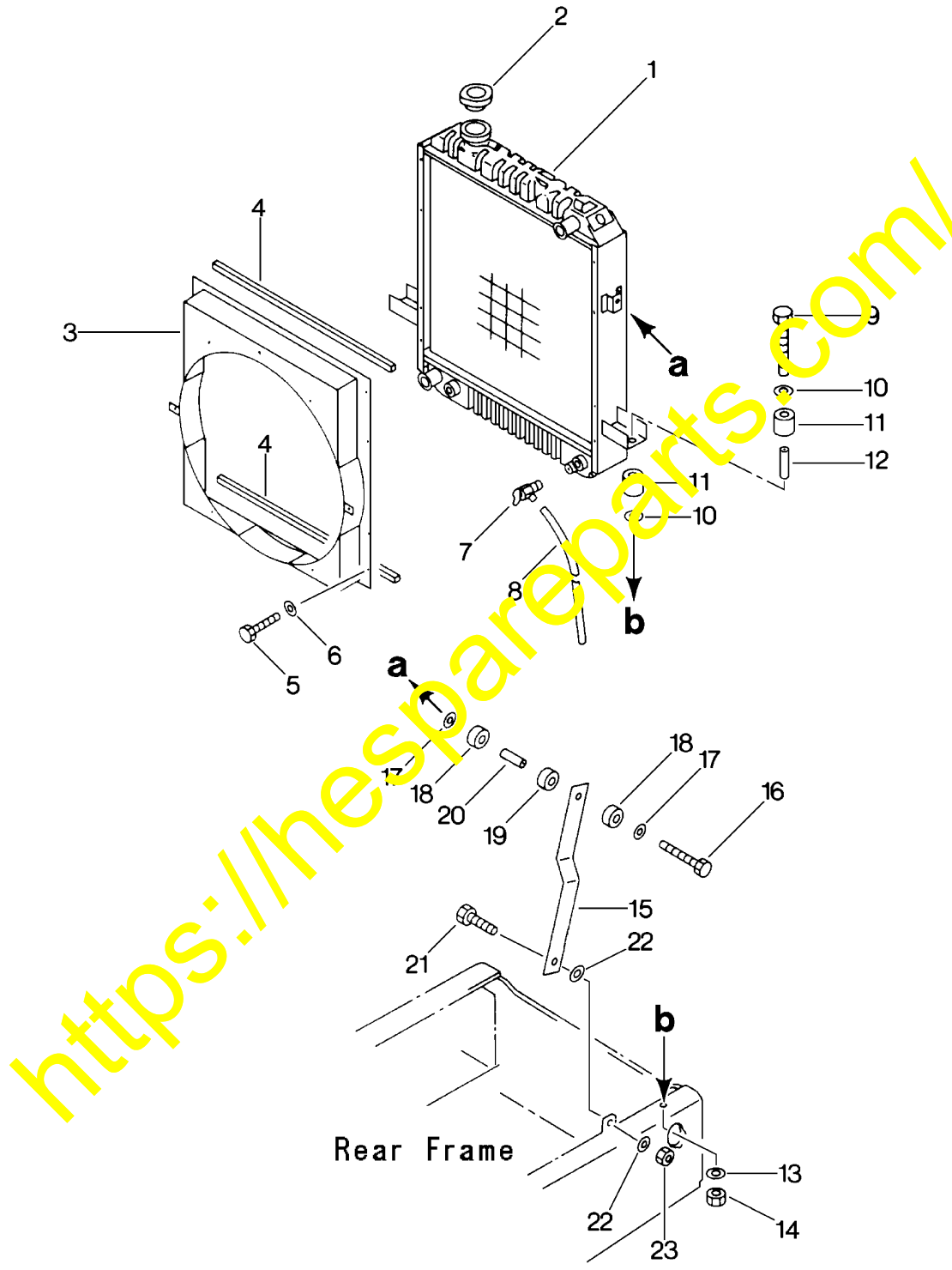
L06AH005

RADIATOR AND MOUNTING

FOR MODEL WA180-1LC

Item	Part Number	Description	Qty.	Ref.
	417-03-11600	RADIATOR ASSEMBLY	1	F1, F5
	417-03-A1160	RADIATOR ASSEMBLY	1	F2
	417-03-A1210	RADIATOR ASSEMBLY	1	F3, F6
	417-03-A1500	RADIATOR ASSEMBLY	1	F4
1	417-03-11210	.CORE ASSEMBLY W/OIL COOLER, RADIATOR ...	1	F1
	417-03-A1150	.CORE ASSEMBLY W/OIL COOLER, RADIATOR ...	1	F2
	417-03-A1410	.CORE ASSEMBLY W/OIL COOLER, RADIATOR ...	1	F3
	417-03-A1530	.CORE ASSEMBLY W/OIL COOLER, RADIATOR ..	1	F4
2	416-03-11170	.CAP, RADIATOR	1	F1, F2
	417-03-A1280	.CAP, RADIATOR	1	F3, F4
3	417-03-11610	.SHROUD	1	F1, F2
	417-03-A1320	.SHROUD	1	F3, F4
4	416-03-11131	.PACKING	2	
5	01010-50816	.BOLT, SHROUD MOUNTING	8	F1, F2
	01010-50825	.BOLT, SHROUD MOUNTING	8	F3, F4
	120 382	.WASHER, LOCK	8	F3, F4
6	01643-30823	.WASHER	8	
7	415-03-11150	.DRAIN COCK	1	F1, F2
	415-03-11160	..O-RING	1	F1, F2
	417-03-A1310	.DRAIN COCK	1	F3, F4
8	416-03-11151	.HOSE, RADIATOR DRAIN	1	
9	01010-51265	BOLT, MOUNT RADIATOR TO FRAME (BOTTOM) ..	2	
10	416-03-11210	WASHER	4	
11	416-03-11221	CUSHION, MOUNTING	4	
12	415-03-11210	SPACER	2	
13	01643-31232	WASHER	2	
14	01580-01210	NUT	2	
15	417-03-10212	BRACKET, RADIATOR MOUNTING	2	
16	01010-51245	BOLT, MOUNTING BRACKET TO RADIATOR (TOP)	2	
17	419-43-17920	WASHER	4	
18	416-03-11260	CUSHION, MOUNTING	4	
19	416-03-11250	CUSHION, MOUNTING	2	

RADIATOR AND MOUNTING
FOR MODEL WA180-1LC



L06AH005

RADIATOR AND MOUNTING
FOR MODEL WA180-1LC

Item	Part Number	Description	Qty. Ref.
20	416-03-11270	SPACER	2
21	416-03-11282	BOLT, MOUNTING BRACKET TO FRAME	2
22	01643-31232	WASHER	4
23	01580-11210	NUT	2

F1 - USED ON MACHINES S/N A75001 THRU A75358 & IDENTIFIED AS A COPAR PART. (WA180)

- USED ON MACHINES S/N C005001 THRU C005076 & IDENTIFIED AS A COPAR PART. (518)

F2 - USED ON MACHINES S/N A75359 THRU A75583 & IDENTIFIED AS A COPAR CWX PART. (WA180)

- USED ON MACHINES S/N C005077 THRU C005107 & IDENTIFIED AS A COPAR CWX PART. (518)

F3 - USED ON MACHINES S/N A75584 THRU A76386 & IDENTIFIED AS A MODINE PART. (WA180)

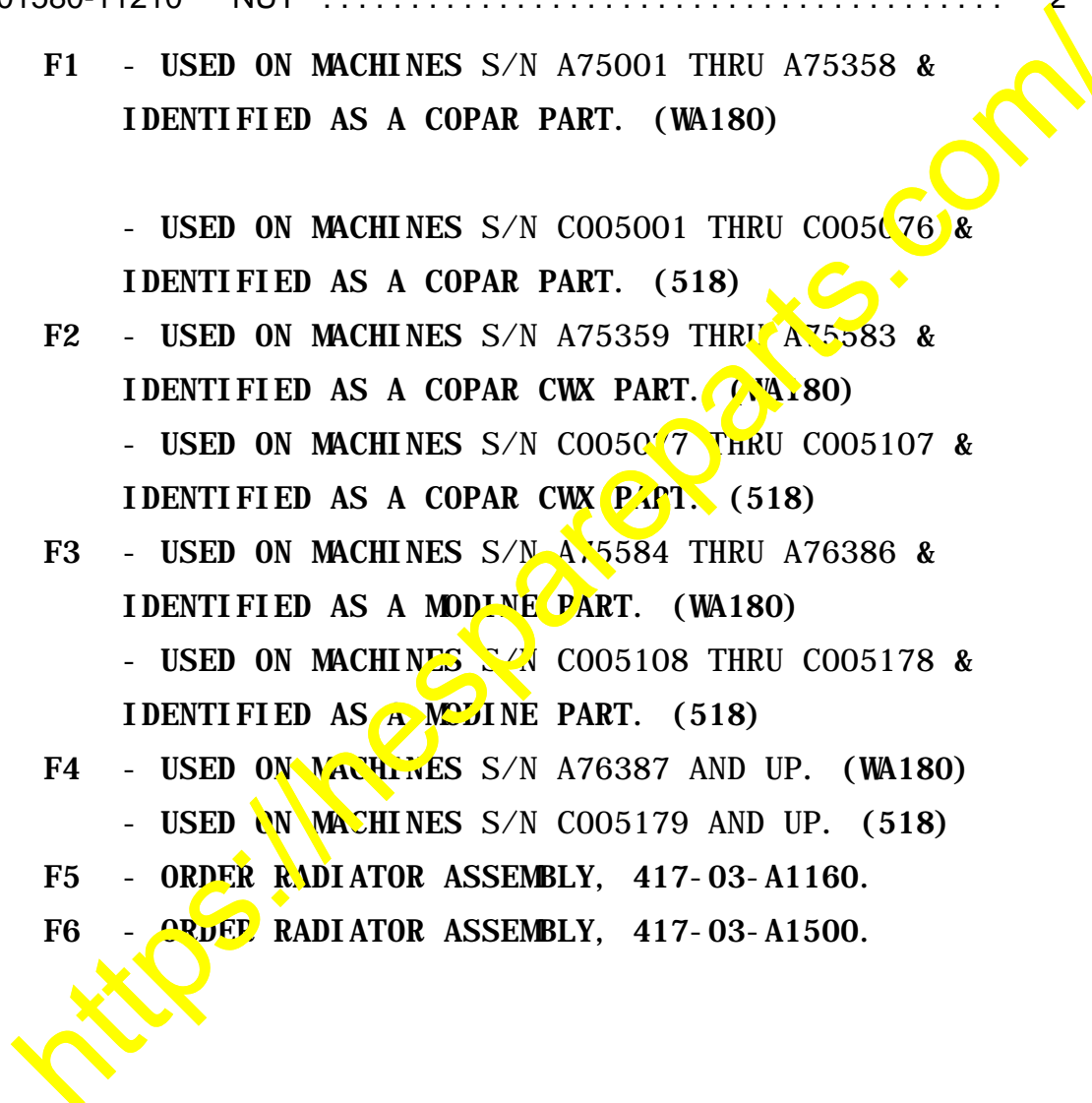
- USED ON MACHINES S/N C005108 THRU C005178 & IDENTIFIED AS A MODINE PART. (518)

F4 - USED ON MACHINES S/N A76387 AND UP. (WA180)

- USED ON MACHINES S/N C005179 AND UP. (518)

F5 - ORDER RADIATOR ASSEMBLY, 417-03-A1160.

F6 - ORDER RADIATOR ASSEMBLY, 417-03-A1500.



<https://hespareparts.com/>