

**PARTS & SERVICE
NEWS**

REF NO.	AA98045
DATE	April 24, 1998

(C)

Page 1 of 6

SUBJECT: ENGINE CONTROL MODULE

PURPOSE: To release service parts for the engine control module.

APPLICATION: SA12V140Z-1: 330M Dump Truck

FAILURE CODE: DA0008

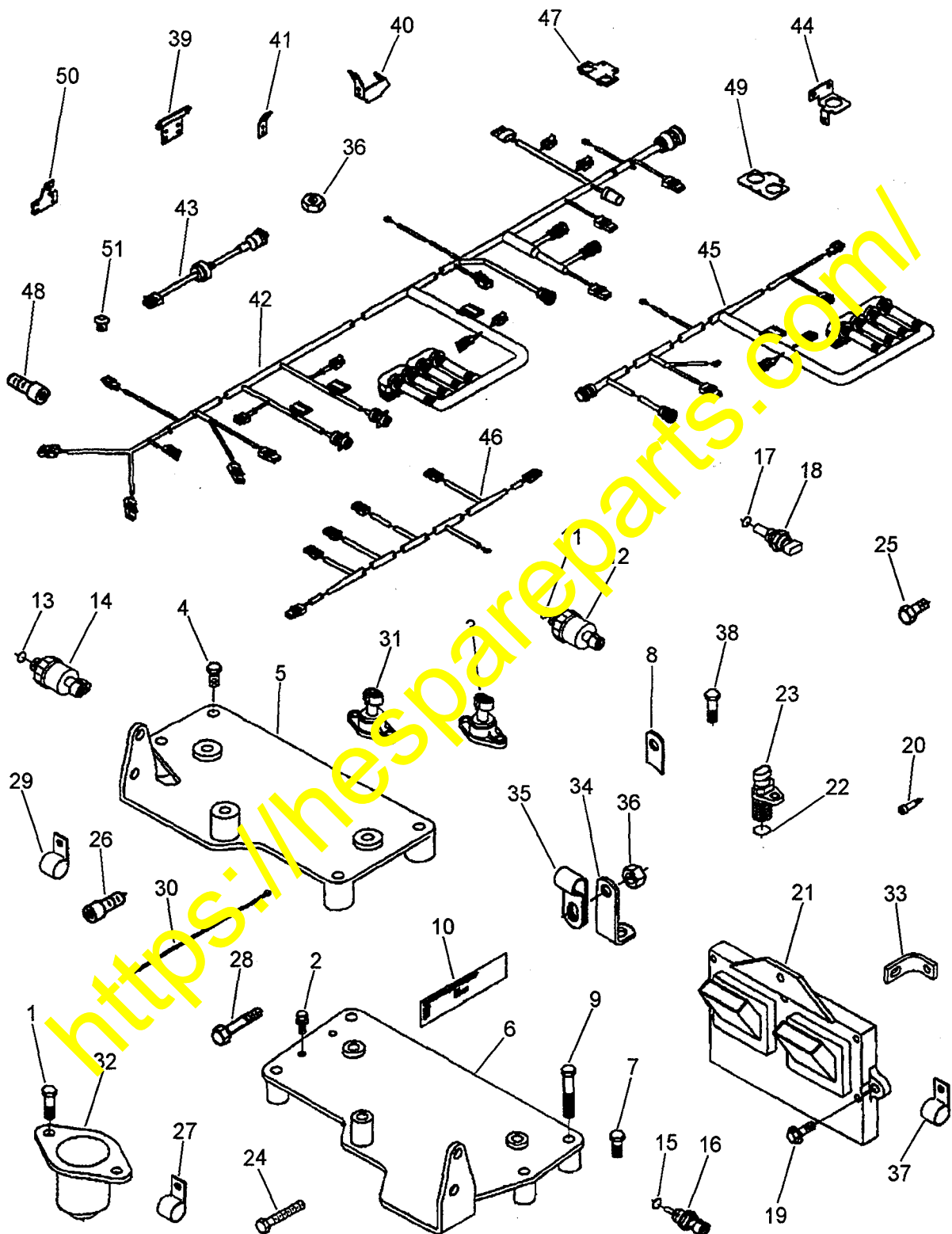
DESCRIPTION: To update the parts book with service parts for the engine control module.

Introduction:

The service parts for the engine control module wiring harness have been released for service. For details, please see the subsequent pages of this PARTS AND SERVICE NEWS.

<https://hespareparts.com/>

ENGINE CONTROL MODULE

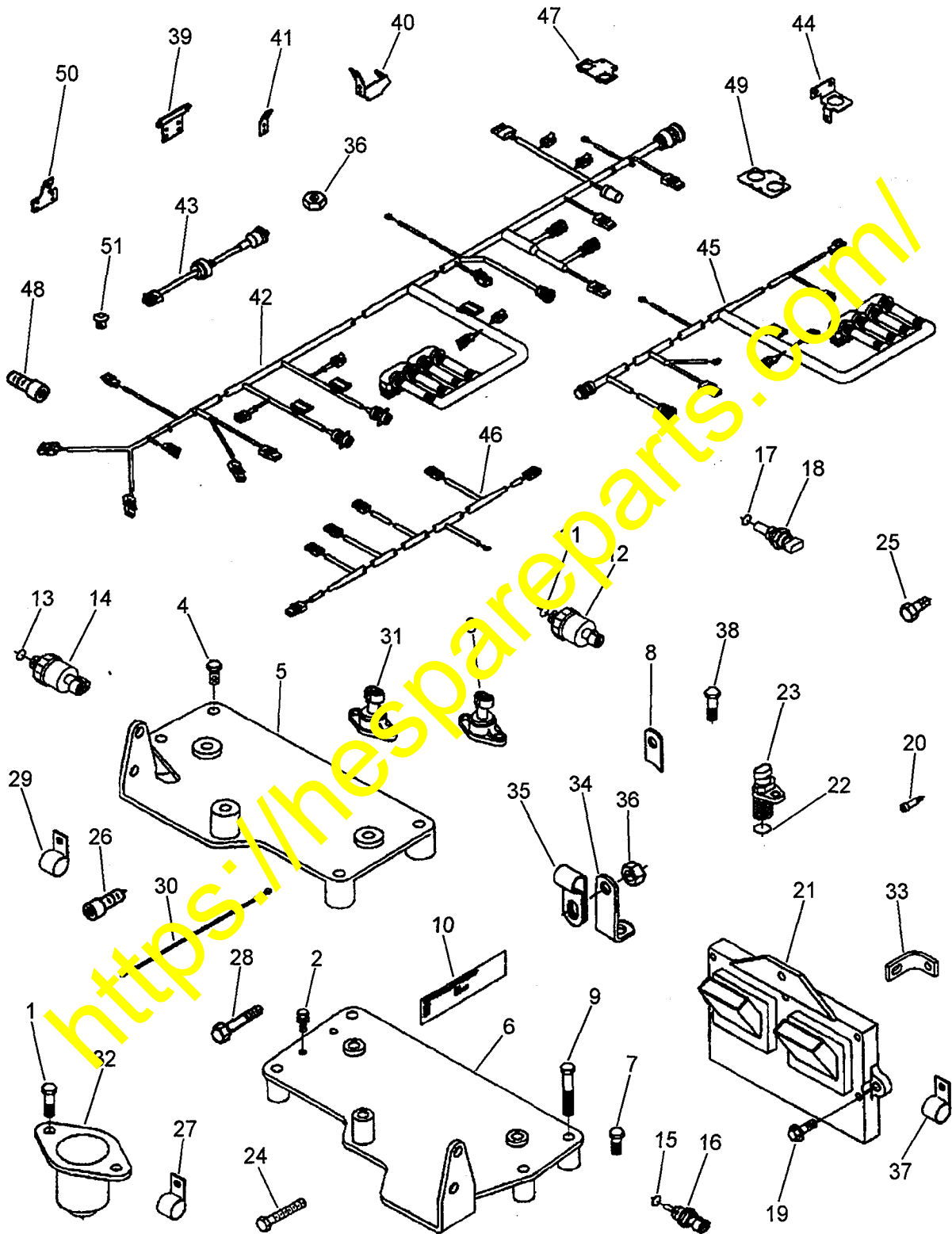


E6BC0001

ENGINE CONTROL MODULE

Item	Part Number	Description	Qty.	Ref.
1	6216-24-8710	BOLT (M10x1.51x30)	2	
2	6216-84-9320	BOLT (1/4 - 20 x 3/4 IN)	2	
3	6216-84-9330	SENSOR, PRESSURE	1	
4	01010-31020	BOLT (M10x1.50x20)	6	
5	6216-84-9340	BRACKET, ENGINE CONTROL MODULE	1	
6	6216-84-9350	BRACKET, ENGINE CONTROL MODULE	1	
7	01010-31016	BOLT (M10x1.50x16)	2	
8	6216-84-9360	RETAINER, COVER	2	
9	6216-84-9370	BOLT (M10x1.50x60)	8	
10	NSS	DATAPLATE	2	
	6216-84-9110	SENSOR, PRESSURE ASSEMBLY	1	
11	6735-21-1930	.SEAL, O-RING	1	
12	NSS	.SENSOR, PRESSURE	1	
	6216-84-9120	SENSOR, PRESSURE ASSEMBLY	2	
13	6735-21-1930	.SEAL, O-RING	1	
14	NSS	.SENSOR, PRESSURE	1	
	6216-84-9130	SENSOR, TEMPERATURE ASSEMBLY	2	
15	6735-21-1930	.SEAL, O-RING	1	
16	NSS	.SENSOR, TEMPERATURE	1	
	6216-84-9140	SENSOR, TEMPERATURE ASSEMBLY	1	
17	6735-21-1930	.SEAL, O-RING	1	
18	NSS	.SENSOR, TEMPERATURE	1	
19	6732-21-5160	BOLT (M8x1.25x25)	6	
20	6216-84-9410	BOLT	2	
21	6216-84-9210	MODULE, ELECTRONIC CONTROL	2	
	6216-84-9150	SENSOR, POSITION ASSEMBLY	2	
22	6216-84-9420	.SEAL, O-RING	1	
23	NSS	SENSOR, POSITION	1	
24	01011-31060	BOLT (M10x1.50x60)	9	
25	01011-31060	BOLT	1	
26	1241 032 H1	BOLT (M6x1.00x16)	4	
27	6735-71-5610	CLIP	1	
28	01010-31220	BOLT (M12x1.75x20)	4	
29	1240 032 H1	CLIP	4	

ENGINE CONTROL MODULE



E6BC0001

ENGINE CONTROL MODULE

Item	Part Number	Description	Qty.	Ref.
30	6216-64-4420	CLAMP, WIRE TIE	39	
31	6216-84-9490	SENSOR, PRESSURE	1	
32	600-815-7630	ADAPTER, POSITION SENSOR	1	
33	6216-71-5910	BRACE, TUBE	2	
34	6205-21-5740	BRACE, TUBE	2	
35	6216-24-5730	CLIP	2	
36	01580-01008	NUT (M10x1.50)	2	
37	6735-71-8110	CLIP	2	
38	01011-31005	BOLT (M10x1.50x105)	4	
39	6216-84-6440	BRACKET, WIRING RETAINER	1	
40	6216-84-9240	BRACKET, WIRING RETAINER	1	
41	6216-84-6450	BRACKET, WIRING RETAINER	8	
42	6216-84-9250	HARNESS, WIRING	1	
43	6216-84-9260	HARNESS, WIRING	1	
44	6216-84-9270	BRACKET, WIRING RETAINER	1	
45	6216-84-6570	HARNESS, WIRING	1	
46	6216-84-6580	HARNESS, WIRING	1	
47	6216-84-6460	BRACKET, WIRING RETAINER	1	
48	6216-84-9280	BOLT	8	
49	6216-84-6470	BRACKET, WIRING RETAINER	1	
50	6216-84-6480	BRACKET, WIRING RETAINER	3	
51	6216-84-6490	CLAMP, WIRE	34	

MEMORANDA

<https://hespareparts.com/>