

PARTS & SERVICE NEWS

REF NO.	AA98058
DATE	May 7, 1998

Page 1 of 4

SUBJECT: TRANSMISSION CONTROL VALVE

PURPOSE: To release revised parts information to the field

APPLICATION: WA450-3 Wheel Loader
Serial numbers S/N A30001 and up

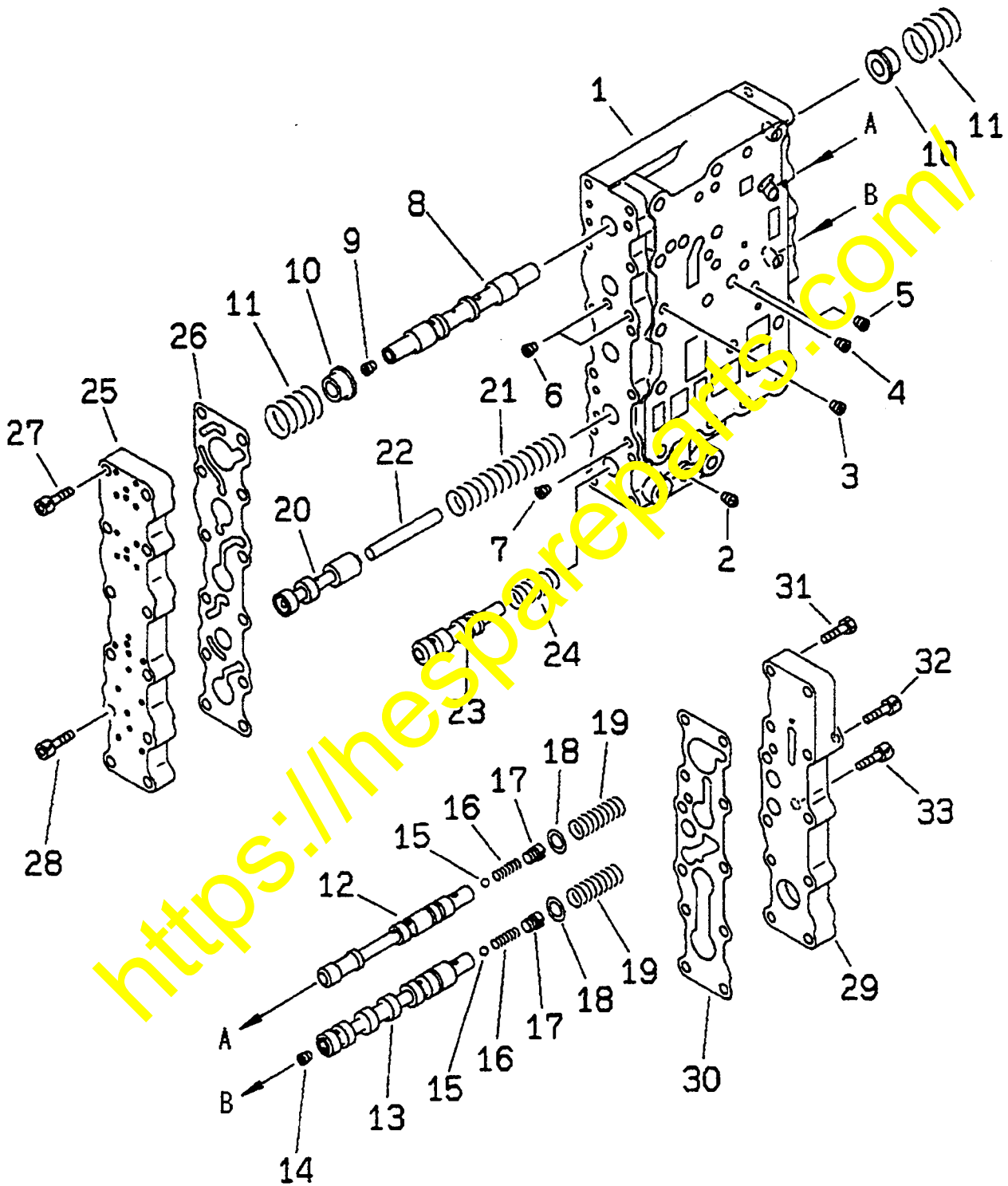
FAILURE CODE: 159081

DESCRIPTION: To update the parts book with revised parts information for the transmission control valve.

Introduction:

In the original parts book for the WA450-3, the part number for VALVE, TRANSMISSION CONTROL - COMPLETE was incorrectly listed as 714-07-17011. The following pages of this PARTS AND SERVICE NEWS correctly indicates the part number, 714-07-15011.

TRANSMISSION
LOWER CONTROL VALVE



L07ED061

TRANSMISSION
LOWER CONTROL VALVE

Item	Part Number	Description	Qty.	Ref.
	714-07-15011	VALVE, TRANSMISSION CONTROL - COMPLETE	1	
	714-07-16100	..VALVE, TRANSMISSION CONTROL - LOWER ASSEMBLY . .	1	
1	714-07-16110	..BODY, LOWER VALVE	1	
2	07042-30108	..PLUG	1	
3	01220-40406	..SCREW	1	
4	02720-10104	..PLUG	1	
5	02720-10104	..PLUG	1	
6	419-15-15640	..PLUG	2	
7	419-15-15640	..PLUG	1	
8	714-07-16510	..VALVE, F-R	1	
9	02720-10104	..PLUG	1	
10	714-07-16620	..SLEEVE	2	
11	714-07-16370	..SPRING	2	
12	714-07-16520	..VALVE, H-L	1	
13	714-07-16331	..VALVE, SPEED	1	
14	02720-10104	..PLUG	1	
15	04260-00635	..BALL, CHECK VALVE	2	
16	714-07-16590	..SPRING	2	
17	714-07-16570	..PLUG	2	
18	419-15-16631	..SPACER	2	
19	419-15-16620	..SPRING	2	
20	714-07-16250	..VALVE, PRIORITY	1	
21	714-07-16260	..SPRING	1	
22	714-07-16270	..STOPPER	1	
23	714-07-16340	..VALVE, BRAKE	1	
24	714-07-16380	..SPRING	1	
25	714-07-16847	..COVER, LOWER VALVE	1	
26	714-07-16950	..GASKET	1	
27	01252-40835	..BOLT	10	
28	01252-40825	..BOLT	2	
29	714-07-16851	..COVER, LOWER VALVE	1	
30	714-07-16960	..GASKET	1	
31	01010-30835	..BOLT	7	
32	01252-40845	..BOLT	2	
33	01252-40835	..BOLT	2	

MEMORANDA

<https://hespareparts.com/>