

PARTS & SERVICE NEWS

REF NO.	AA98103
DATE	July 22, 1998

Page 1 of 3

SUBJECT: IMPROVED STEERING HYDRAULIC HOSES

PURPOSE: To release current parts information for Hydraulic Steering Lines

APPLICATION: GD530A Graders Serial Number 200840 thru 203162
 GD530AW Graders Serial Number 200840 thru 203162
 GD650A Graders Serial Number 200840 thru 203162
 GD650AW Graders Serial Number 200840 thru 203162
 GD670A Graders Serial Number 200840 thru 203162
 GD670AW Graders Serial Number 200840 thru 203162
 830 Graders Serial Number 100496 thru 203162
 850 Graders Serial Number 100477 thru 203162
 870 Graders Serial Number 100481 thru 203162

FAILURE CODE: 6B5210

DESCRIPTION:

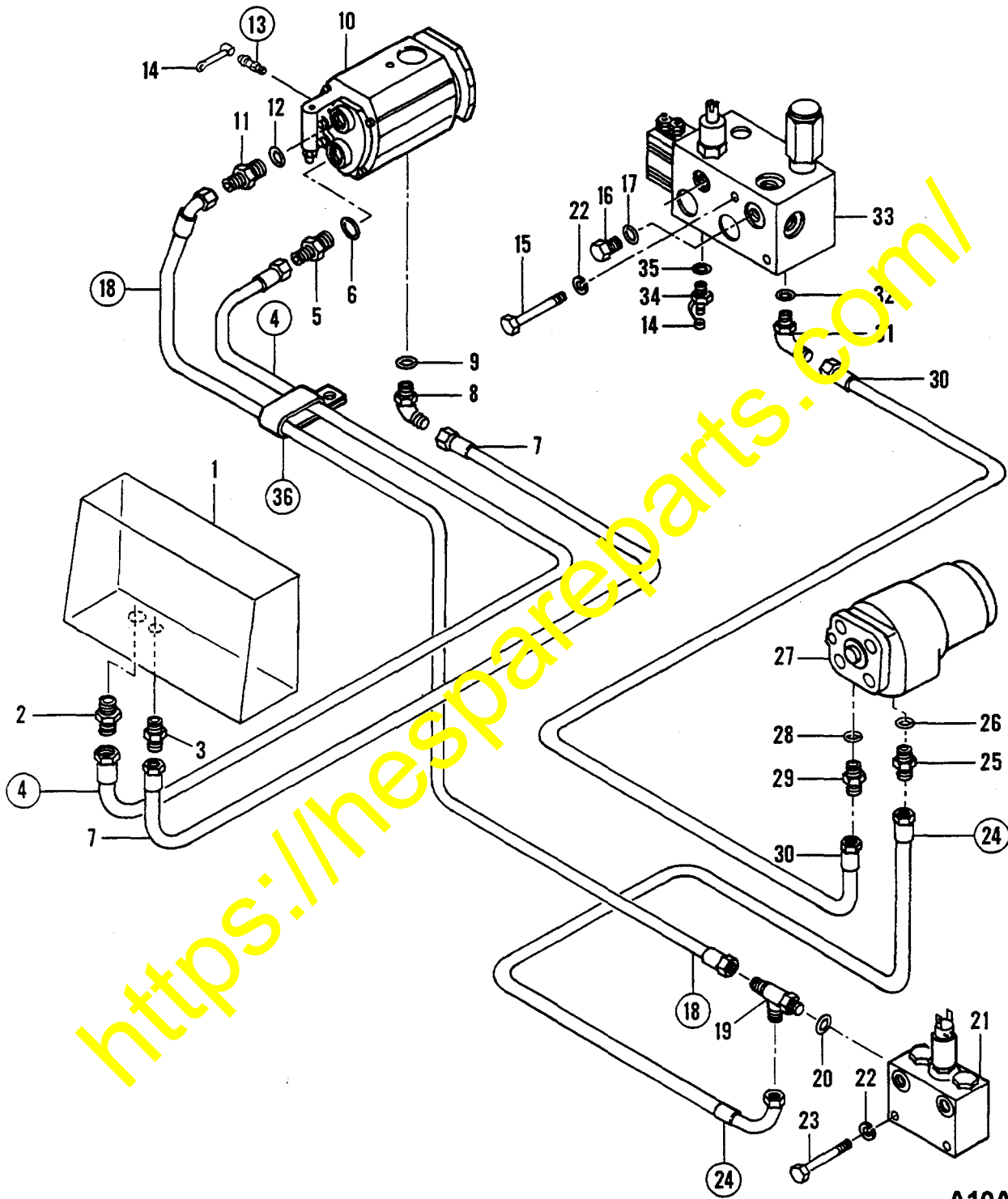
Introduction:

This parts listing supersedes previously published parts information. Hose 1281 001 H1 has been upgraded. The direct replacement hose is 1281 001 H2. To upgrade hose 1281 001 H1 and associated couplings to current production configuration, replace Tee (9410 333), Reducer (9403 399), Tube Nut (9403 528), and Quick Disconnect Coupler (1279 441 H1) with Hose (1222 539 H2) and Quick Disconnect coupler (1437 063 H1) as shown in this **Parts & Service News**.

- NOTE -

The information in this **PARTS & SERVICE NEWS** does not authorize or imply any obligation on the part of Komatsu America International Company to provide reimbursement for any expenses. Machines requiring part repair or part replacement during the machine warranty are covered under normal warranty. Out-of-warranty machines are the responsibility of the distributor/customer.

**BASIC HYDRAULICS
STEERING LINES**



A10AD011

**BASIC HYDRAULICS
STEERING LINES**

Item	Part Number	Description	Qty.	Ref.
1		TANK, HYDRAULIC OIL (SEE PARTS BOOK)		
2	9402 713	CONNECTOR, REDUCING	1	
3	607 728 R1	CONNECTOR, REDUCING	1	
4	1438 917 H1	HOSE	1	
5	347 765 R1	CONNECTOR, REDUCING	1	
6	307 915 R1	O-RING	1	
7	1279 512 H2	HOSE		
8	9411 104	ELBOW - 45°	1	
9	364 839 R1	O-RING	1	
10		PUMP, STEERING & BRAKE (SEE PARTS BOOK)		
11	333 457 R1	CONNECTOR, REDUCING	1	
12	296 247 R1	O-RING	1	
13	1437 063 H1	COUPLING, QUICK DISCONNECT	1	
14	162 144	CAP, DUST	2	
15	24 845 R1	BOLT	2	
16	9410 358	PLUG	1	
17	364 839 R1	O-RING	1	
18	1222 539 H2	HOSE - CURRENT PRODUCTION CONFIGURATION	1	
	1281 001 H2	HOSE - DIRECT REPLACEMENT	1	
19	9411 131	TEE	1	
20	570 828 R1	O-RING	1	
21		VALVE, BRAKE CHECK (SEE PARTS BOOK)		
22	120 382	WASHER, LOCK	4	
23	277 232 R1	BOLT	2	
24	1222 539 H2	HOSE	1	
25	9410 203	CONNECTOR	1	
26	570 828 R1	O-RING	1	
27		CONTROL UNIT, ORBITROL (SEE PARTS BOOK)		
28	570 828 R1	O-RING	1	
29	337 839 R1	CONNECTOR	1	
30	1279 042 H1	HOSE	1	
31	9410 976	ELBOW - 90°	1	
32	364 839 R1	O-RING	1	
33		BLOCK, JUNCTION (SEE PARTS BOOK)		
34	161 847	COUPLING, QUICK DISCONNECT	1	
35	71 517	O-RING	1	
36	27 843 R1	CLAMP, HOSE	1	