

PARTS & SERVICE NEWS

REF NO.	AA98127
DATE	SEPT. 4, 1998

Page 1 of 10

SUBJECT: Drive Shaft

PURPOSE: Design Improvements To Drive Shafts and Universal Joints

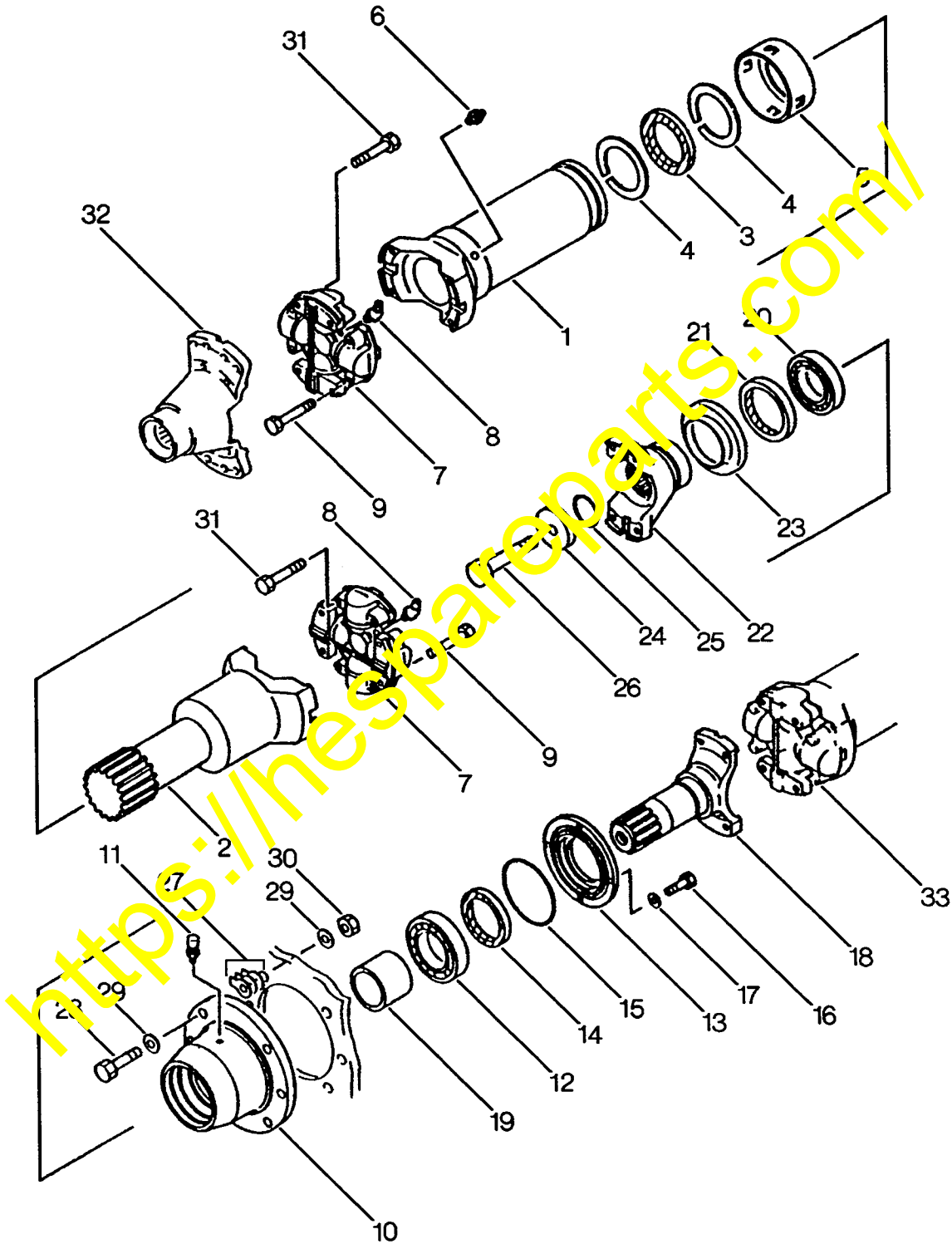
APPLICATION: WA600-1LC, S\N A50081 and up
568, S\N 7014 and up

FAILURE CODE: 200099

DESCRIPTION: Design improvements to the drive shaft assembly have resulted in part number replacement. Service kits have been established for certain service parts that should not be serviced separately. For updated service parts, refer to the subsequent pages of this PARTS AND SERVICE NEWS.

<https://hespareparts.com/>

**DRIVE SHAFT
(FRONT)**

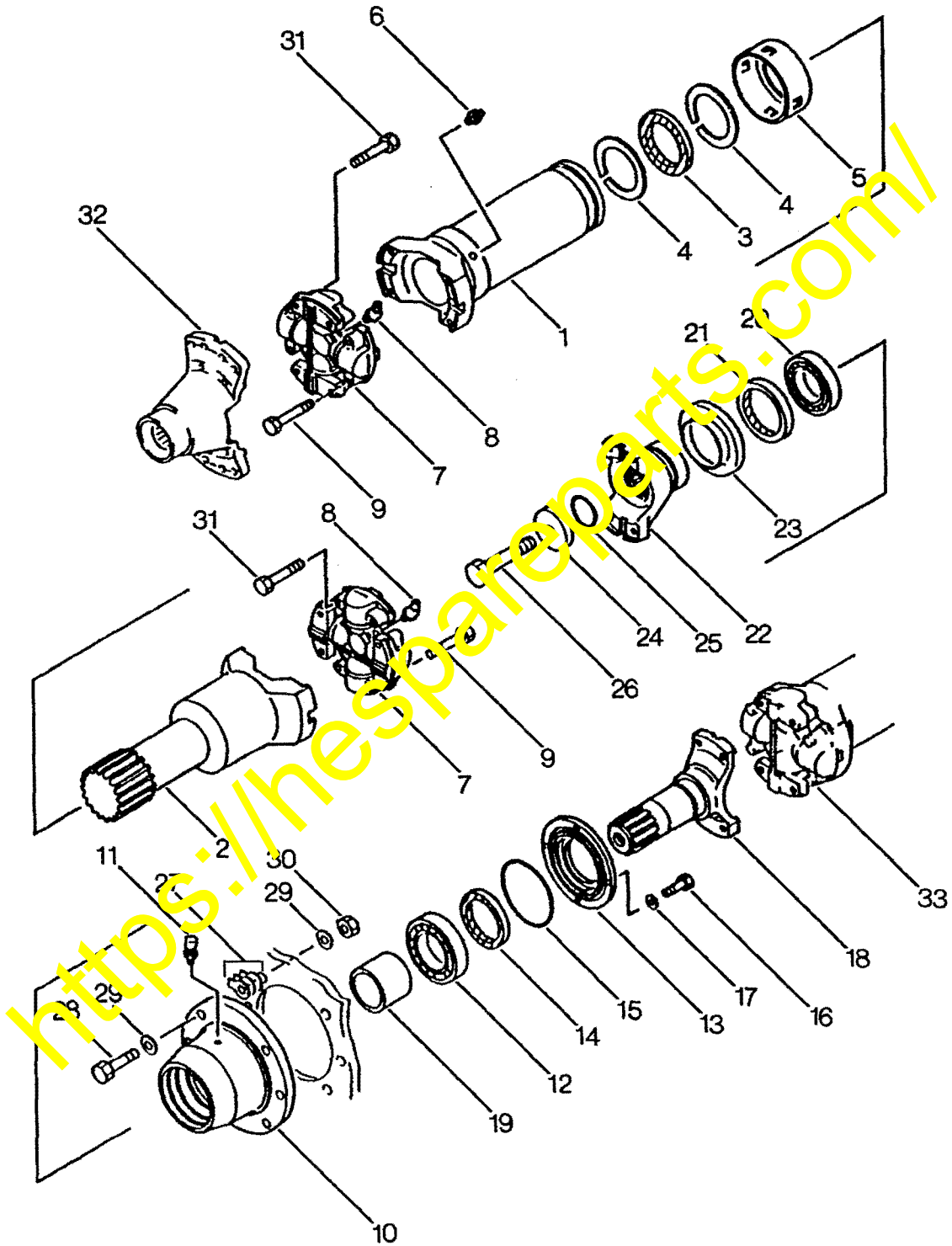


L07ER026

**DRIVE SHAFT
(FRONT)**

Item	Part Number	Description	Qty.	Ref.
	426-20-A1141	SHAFT ASSEMBLY, DRIVE (FRONT)	1	
	426-20-A1231	.YOKE AND SHAFT ASSEMBLY	1	
1	NSS	..YOKE	1	
2	NSS	..SHAFT	1	
	426-20-A1260	.SEAL KIT	1	
3	NSS	.SEAL, OIL	1	
4	NSS	.RING, RETAINER	2	
5	NSS	.COVER	1	
6	425-20-A1360	.FITTING, GREASE	1	
7	426-20-A1151	.SPIDER ASSEMBLY	2	
8	426-20-A1350	..FITTING, GREASE	1	
9	25 341 R1	.BOLT	8	
N/I	426-20-15002	SUPPORT ASSEMBLY	1	
10	425-20-15111	.HOUSING	1	
11	07030-01030	.BREATHER	1	
12	425-20-15710	.BEARING	1	
13	425-20-15411	.RETAINER, SEA	1	
14	425-20-15730	.SEAL, OIL	1	
15	07000-02140	.O-RING	1	
16	01010-31030	.BOLT	4	
17	01643-31032	.WASHER	4	
18	426-20-15211	.SHAFT, COUPLING	1	
19	425-20-15221	.SPACER	1	
20	425-20-15720	.BEARING	1	
21	425-20-15740	.SEAL	1	
N/I	426-20-15030	.COUPLING ASSEMBLY	1	
22	NSS	..COUPLING	1	
23	425-20-15240	..DEFLECTOR	1	
24	424-20-13520	.HOLDER	1	
25	07000-05065	.O-RING	1	
26	01011-62430	.BOLT	1	

**DRIVE SHAFT
(FRONT)**



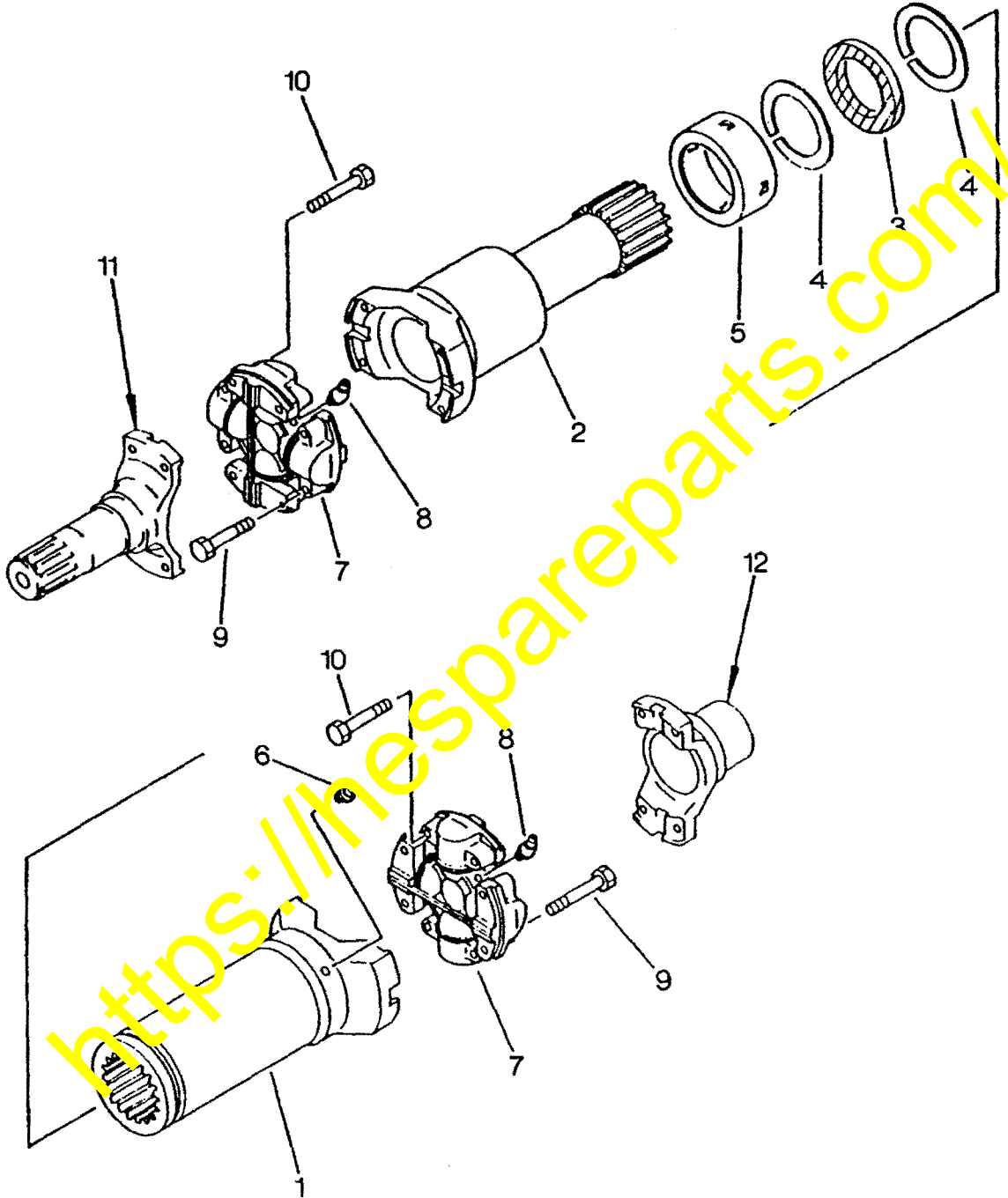
L07ER026

**DRIVE SHAFT
(FRONT)**

Item	Part Number	Description	Qty.	Ref.
27	425-20-15510	SHIM, 0.1mm	3	
	425-20-15520	SHIM, 0.2mm	3	
	425-20-15530	SHIM, 0.5mm	3	
28	01010-32070	BOLT	6	
29	01643-32060	WASHER	12	
30	01580-02016	NUT	6	
31	01050-61475	BOLT	8	
32	426-22-11001	COUPLING, FRONT DIFFERENTIAL	1	
33	426-20-A11140	CENTER DRIVE SHAFT	1	

<https://hespareparts.com/>

**DRIVE SHAFT
(CENTER)**



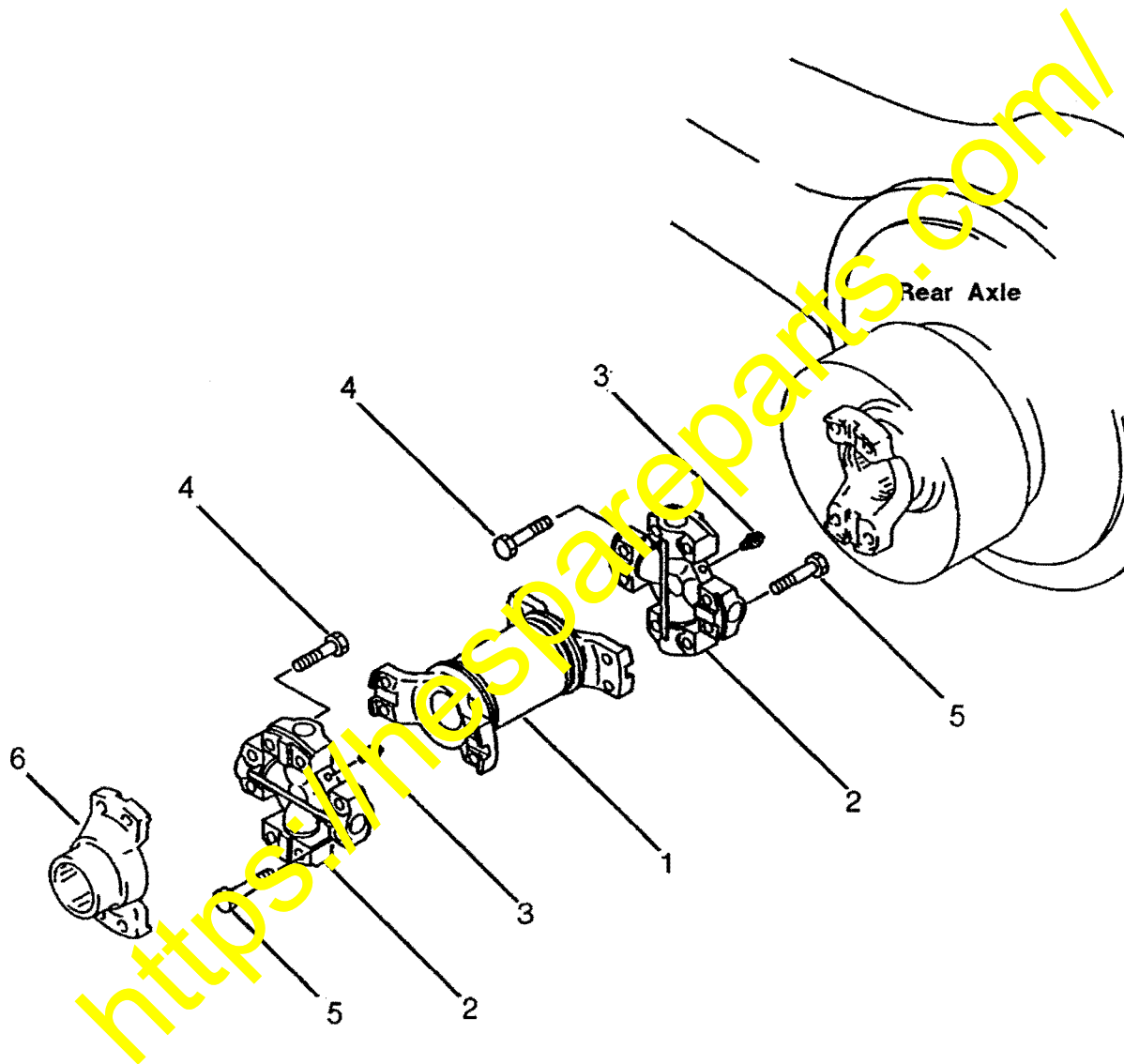
L07ER025

**DRIVE SHAFT
(CENTER)**

Item	Part Number	Description	Qty.	Ref.
	426-20-A1141	SHAFT ASSEMBLY, DRIVE (CENTER)	1	
	426-20-A1231	..YOKE AND SHAFT ASSEMBLY	1	
1	NSS	..YOKE	1	
2	NSS	..SHAFT	1	
	426-20-A1260	..SEAL KIT		
3	NSS	..SEAL, OIL	1	
4	NSS	..RING, RETAINER	2	
5	NSS	..COVER	1	
6	425-20-A1360	..FITTING, GREASE	1	
7	426-20-A1151	..SPIDER ASSEMBLY	2	
8	426-20-A1350	..FITTING, GREASE	2	
9	25 341 R1	..BOLT	8	
10	01050-61475	BOLT	8	
11	426-20-A1140	SHAFT, FRONT DRIVE	1	
12	426-15-13251	COUPLING, TRANSFER FRONT	1	

https://hespareparts.com/

**DRIVE SHAFT
(REAR)**



L07ER097

**DRIVE SHAFT
(REAR)**

Item	Part Number	Description	Qty.	Ref.
	426-20-A1180	SHAFT ASSEMBLY, DRIVE (REAR)	1	
1	426-20-A1190	.YOKE	1	
2	426-20-A1151	.SPIDER ASSEMBLY	2	
3	426-20-A1350	..FITTING, GREASE	2	
4	25 341 R1	.BOLT	8	
5	01050-61475	BOLT	8	
6	426-15-13290	COUPLING, TRANSFER REAR	1	

<https://hespareparts.com/>

MEMORANDA

<https://hespareparts.com/>