

PARTS & SERVICE NEWS

REF NO. AA99016A

DATE January 3, 2002

Page 1 of 2

This Parts & Service News supercedes AA99016 dated January 4,1999 which should be discarded

SUBJECT: ENGINE OIL PRESSURE SENDING UNITS

PURPOSE: To provide reliable replacement parts

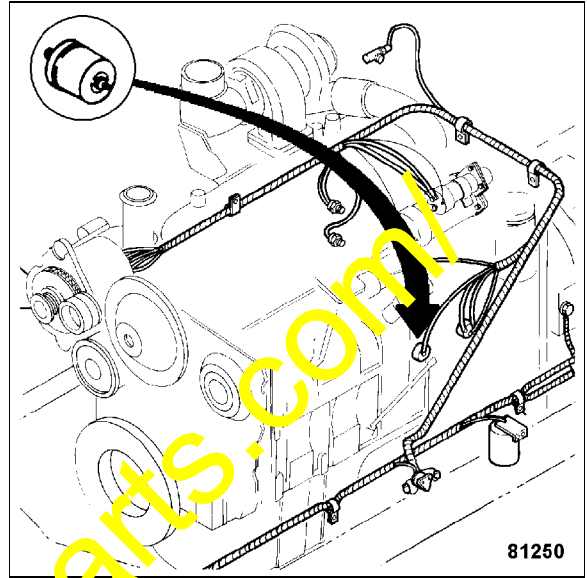
APPLICATION: 830B Graders Serial Number 100496 thru 210728
 830C Graders Serial Number 100496 thru 210728
 850B Graders Serial Number 100477 thru 210728
 850C Graders Serial Number 100477 thru 210728
 870B Graders Serial Number 100481 thru 210728
 870B Graders Serial Number 100481 thru 210728
 870C Graders Serial Number 100481 thru 210728
 GD530A-2BY Graders Serial Number 200840 thru 210728
 GD530A-2CY Graders Serial Number 200840 thru 210728
 GD530AW-2BY Graders Serial Number 200840 thru 210728
 GD530AW-2CY Graders Serial Number 200840 thru 210728
 GD650A-2BY Graders Serial Number 200840 thru 210728
 GD650A-2CY Graders Serial Number 200840 thru 210728
 GD650AW-2BY Graders Serial Number 200840 thru 210728
 GD650AW-2CY Graders Serial Number 200840 thru 210728
 GD670A-2BY Graders Serial Number 200840 thru 210728
 GD670A-2CY Graders Serial Number 200840 thru 210728
 GD670AW-2BY Graders Serial Number 200840 thru 210728
 GD670AW-2CY Graders Serial Number 200840 thru 210728

FAILURE CODE: DHE35C

DESCRIPTION:

<https://hesporeparts.com/>

The engine oil pressure sending unit, part number 677 161 R94 and 1439 673 H1 have high failure rates on the graders. For longer service life, replace the sending unit with part number 1439673H2 and an adapter p/n 444013 The sending unit, p/n 677 161 R94, may be used in other applications.



NOTE: The sending unit is internally grounded. Thus, do NOT use thread-sealing compound on the sending unit threads. The increased electrical circuit resistance gives a false oil pressure gauge reading.



WARNING! The information in this PARTS AND SERVICE NEWS does not authorize or imply obligation on the part of Komatsu America International Company to provide reimbursement for any expenses. Machines requiring part repair or part replacement during the machine warranty are covered under normal warranty. Out-of-warranty machines are the responsibility of the distributor/customer.