

PARTS & SERVICE NEWS

REF NO.	AA99022
DATE	January 18, 1999

Page 1 of 1

SUBJECT: SWIVEL JOINT GUARD

PURPOSE: An upgrade for better swivel joint hose protection

APPLICATION: 830 Graders Serial Number 200000 thru 203518
 850 Graders Serial Number 200000 thru 203518
 870 Graders Serial Number 200000 thru 203518
 GD530A/AW Graders Serial Number 202002 thru 203518
 GD650A/AW Graders Serial Number 202002 thru 203518
 GD670A/AW Graders Serial Number 202002 thru 203518

FAILURE CODE: 540099

DESCRIPTION:

Introduction:

The swivel joint hose guard has been redesigned to be more rugged and better protect the hoses and swivel joint. The updated guard is interchangeable with all previous versions.

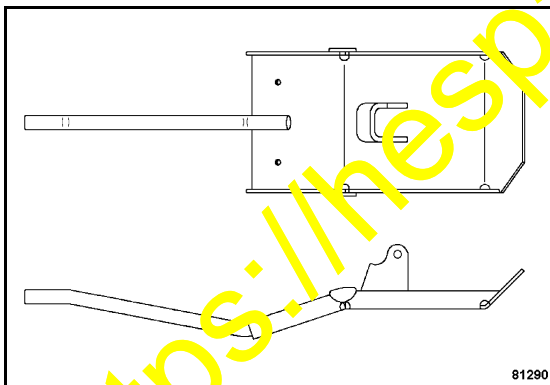


Figure 1 Old Swivel Joint Hose Guard
1223001H93

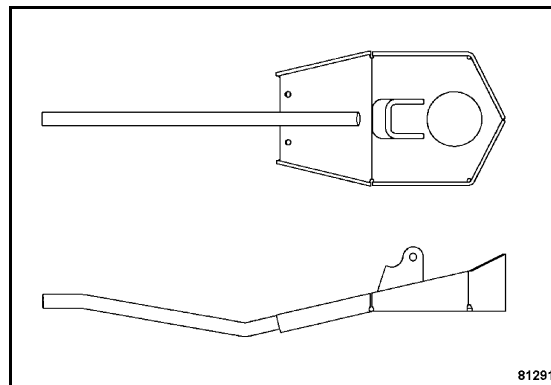


Figure 2 New Swivel Joint Hose Guard
1223001H94

– NOTE –

The information in this **PARTS & SERVICE NEWS** does not authorize or imply any obligation on the part of Komatsu America International Company to provide reimbursement for any expenses. Machines requiring part repair or part replacement during the machine warranty are covered under normal warranty. Out-of-warranty machines are the responsibility of the distributor/customer.