

# PARTS & SERVICE NEWS

REF NO. AA99051A

DATE June 9, 1999

Page 1 of 9

*This Parts & Service News supercedes AA99051 dated February 15, 1999 which should be discarded.*

**SUBJECT:** FUNK TRANSMISSION FRONT COVER & MAIN CASE

**PURPOSE:** TO PROVIDE SERVICE PARTS FOR TRANSMISSION FRONT COVER & MAIN CASE ON THE BELOW LISTED GRADERS.

**APPLICATION:** GD530 A/AW GRADERS SERIAL NUMBER 202051 & UP  
GD650 A/AW GRADERS SERIAL NUMBER 202051 & UP  
GD670 A/AW GRADERS SERIAL NUMBER 202051 & UP  
830 GRADERS SERIAL NUMBER 202051 & UP  
850 GRADERS SERIAL NUMBER 202051 & UP  
870 GRADERS SERIAL NUMBER 202051 & UP

**FAILURE CODE:** 151008

**DESCRIPTION:**

## Introduction:

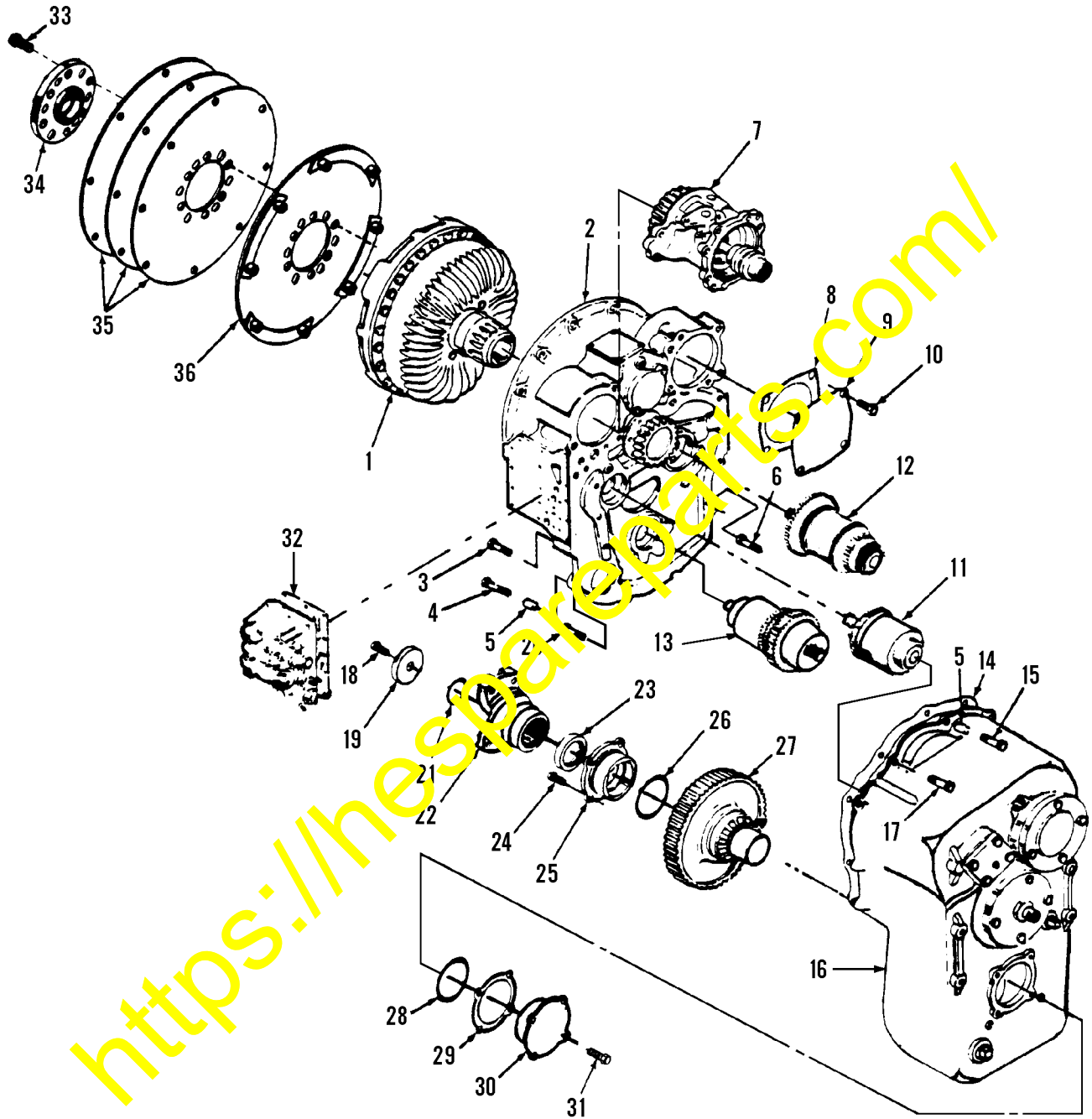
The component parts for the Transmission Front Cover & Main Case have been upgraded and are released for service.

For individual service part numbers, refer to the subsequent pages of this **PARTS & SERVICE NEWS**. Use this publication along with applicable parts book until such time as this information is incorporated into the parts book.

### —NOTE—

The information in this PARTS & SERVICE NEWS does not authorize or imply any obligation on the part of Komatsu America International Company to provide reimbursement for any expenses. Machines requiring part repair or part replacement during the machine warranty are covered under normal warranty. Out-of-warranty machines are the responsibility of the distributor/customer.

# TRANSMISSION & TORQUE CONVERTER

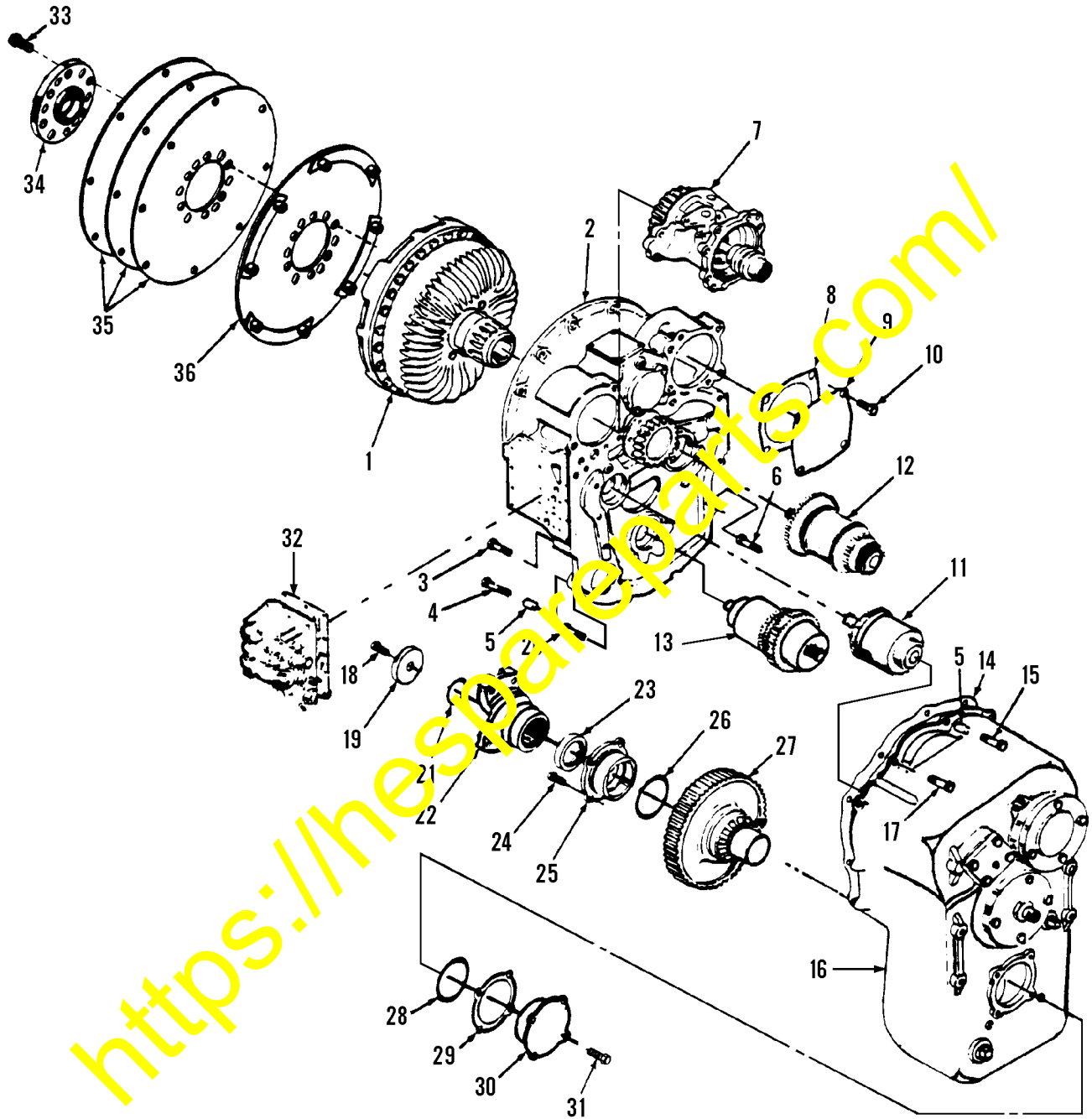


1145.05

## TRANSMISSION & TORQUE CONVERTER

Item	Part Number	Description	Qty.	Ref.
	1435 012 H91	TRANSMISSION & TORQUE CONVERTER.....	1	F1
	1437 864 H91	TRANSMISSION & TORQUE CONVERTER.....	1	F2
1		.CONVERTER ASSEMBLY (SEE PARTS BOOK)		
2		.COVER, FRONT (SEE PAGE 7)		
3	25 285 R1	.BOLT .....	1	
4	44 855	.BOLT .....	1	
5	560 457 C1	.BUSHING, LOCATING.....	2	
6	33 368 H45	.BOLT .....	3	
7		.PUMP, CHARGE (SEE PARTS BOOK)		
8	285 253 R1	.O-RING .....	1	
9	1270 488 H1	.PLATE, COVER - STAMPED .....	1	
10	81 103	.BOLT .....	4	
	120 384	.WASHER, LOCK .....	4	
11		.CLUTCH PACK - 1 & 5 (SEE PARTS BOOK)		
12		.CLUTCH PACK - 2 & 6 (SEE PARTS BOOK)		
13		.CLUTCH PACK - 3 & 4 (SEE PARTS BOOK)		
14	564 887 C2	.GASKET, MAIN HOUSING .....	1	
15	89 213	.BOLT .....	1	
16		.CASE ASSEMBLY, MAIN (SEE PAGE 9)		
17	138 296	.BOLT .....	3	
18	25 329 R1	.BOLT .....	1	
19	149 473	.WASHER.....	1	
20	24 864 R1	.BOLT .....	1	
21	149 506	.O-RING .....	1	
22	134 360	.YOKE - 60 .....	1	F1
	1439 876 H1	.YOKE - 70 .....	1	F2
23	75 991	.SEAL, OIL.....	1	
24	25 496 R1	.BOLT .....	6	
25	134 359	.RETAINER, BEARING .....	1	
26	134 394	.O-RING .....	1	
27		.SHAFT, OUTPUT (SEE PARTS BOOK)		
28	119 859	.O-RING .....	1	
29	134 363	.KIT, SHIM .....	1	
	134 364	..SHIM - 0.005 .....	3	
	134 365	..SHIM - 0.007 .....	4	
	134 366	..SHIM - 0.020 .....	3	
30	134 380	.RETAINER, BEARING .....	1	

# TRANSMISSION & TORQUE CONVERTER



1145.05

---

**TRANSMISSION & TORQUE CONVERTER**

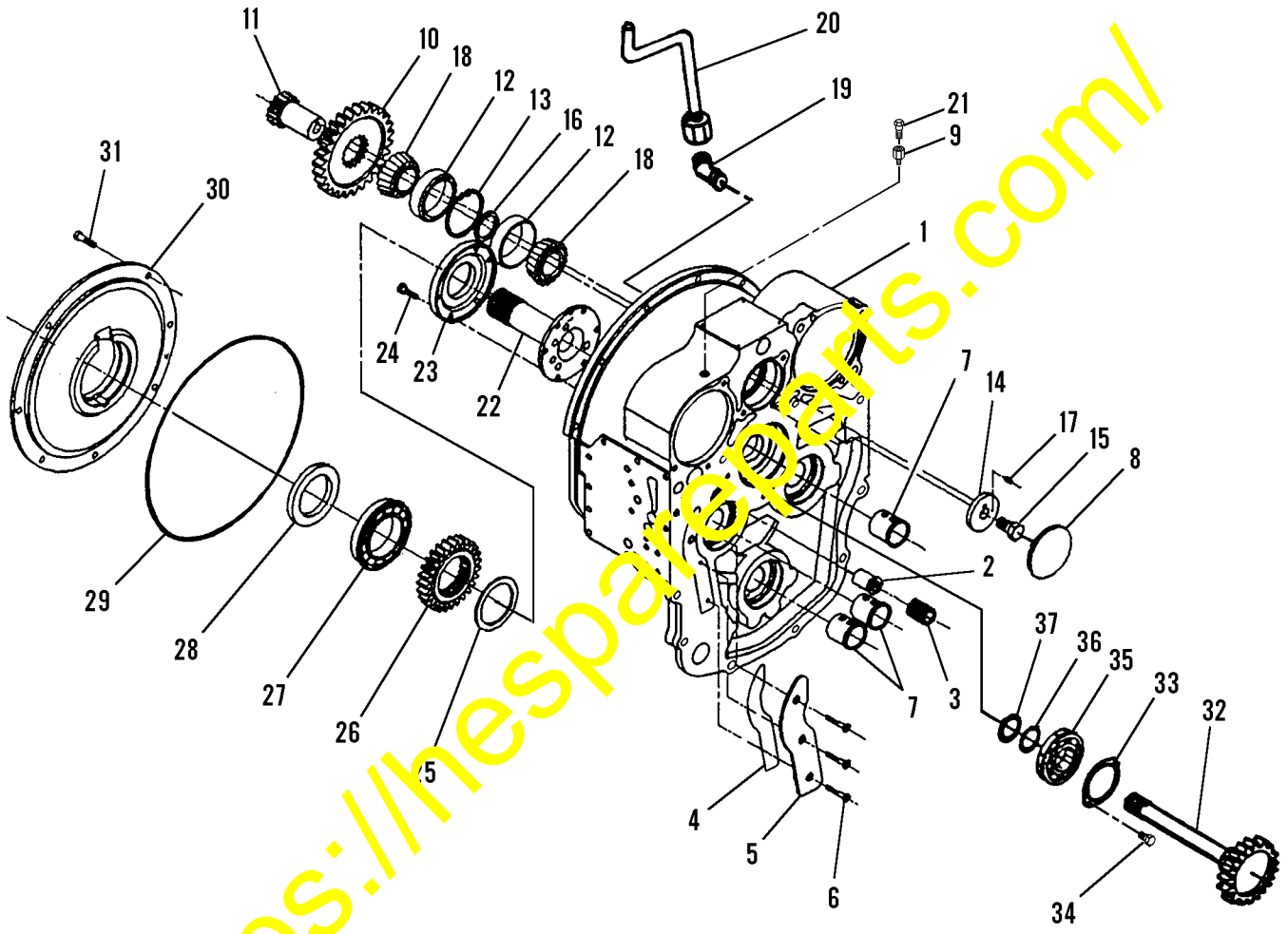
Item	Part Number	Description	Qty.	Ref.
31	33 368 H45	.BOLT .....	4	
32		.VALVE, CONTROL (SEE PARTS BOOK)		
33	135 297	.BOLT .....	12	
34	1244 194 H1	.RING.....	1	
35	1244 192 H1	.PLATE, DRIVE .....	3	
36	1244 193 H1	.PLATE ASSEMBLY, CONVERTER DRIVE.....	1	

F1 - S/N 202051 THRU 203506, 203511 THRU 203542

F2 - S/N 203507 THRU 203510, 203543 & UP

<https://hespareparts.com/>

**FRONT COVER**  
S/N 202051 & UP

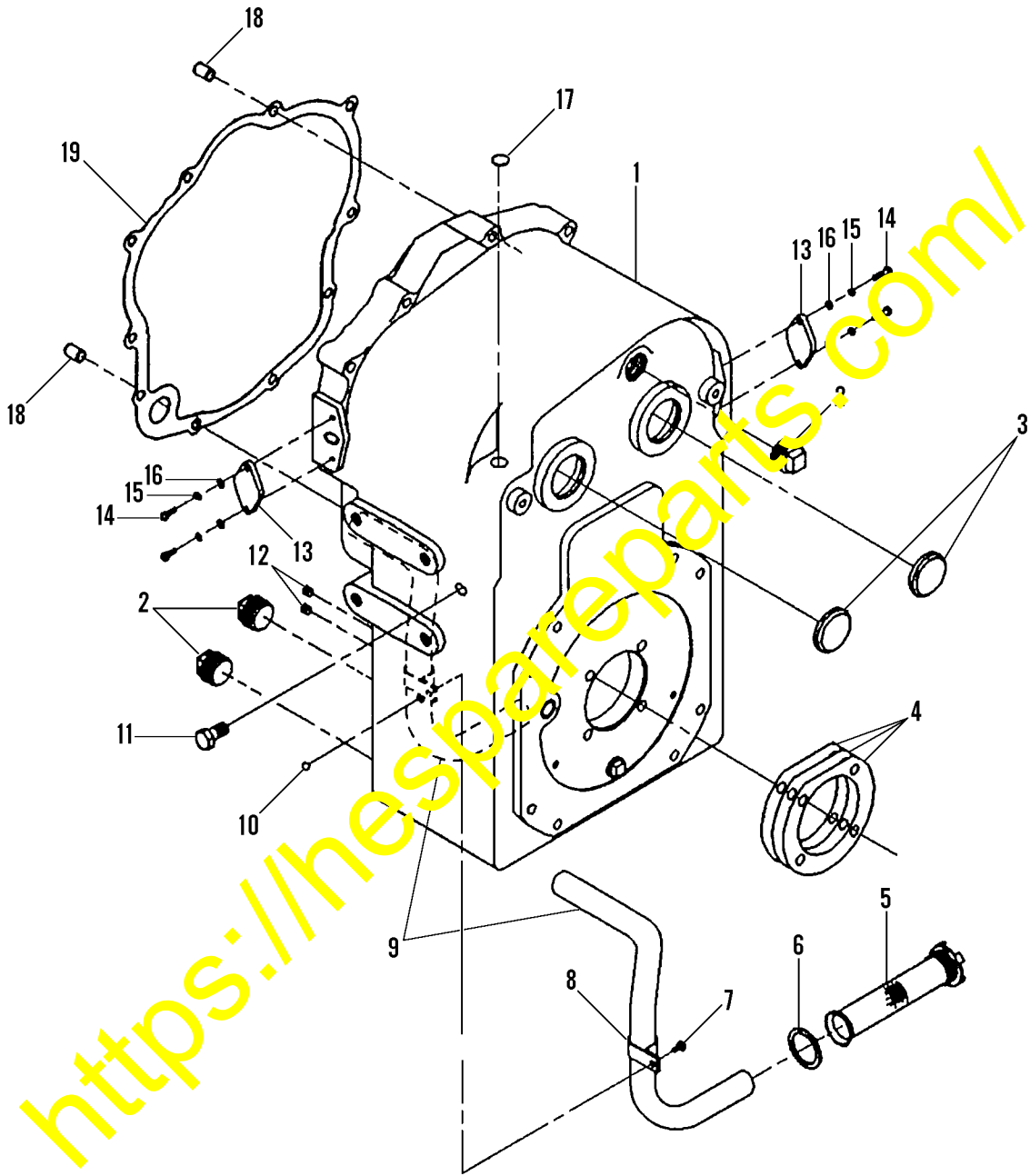


A07DZ002

**FRONT COVER**  
S/N 202051 & UP

Item	Part Number	Description	Qty.	Ref.
		TRANSMISSION.....	RF	
	<i>1434 997 H91</i>	..COVER GROUP, FRONT.....	1	
1	1270 190 H1	..COVER, FRONT.....	1	
2	562 966 C3	..VALVE ASSEMBLY, CONVERTER RELIEF.....	1	
3	444 679	..PLUG, PIPE.....	1	
	1277 914 H91	..KIT, SERVICE.....	1	
4	1232 272 H1	..GASKET ELIMINATOR 515 - 50 ML TUBE.....	1	
5	149 513	..COVER, OIL PASSAGE.....	1	
6	149 514	..BOLT.....	3	
7	1244 191 H1	..SLEEVE, BORE.....	3	
8	149 662	..COVER.....	1	
9	1434 996 H1	..ADAPTOR.....	1	
10	149 463	..GEAR, AUXILIARY PUMP.....	1	
11	134 322	..SHAFT, IDLER.....	1	
12	1280 248 H1	..CUP, BEARING.....	2	
13	149 466 R1	..RING, RETAINING.....	1	
14	134 385	..WASHER, RETAINING.....	1	
15	25 329 R1	..BOLT.....	1	
16	149 476	..SPACER, BEARING.....	1	
17	134 386	..PIN.....	1	
18	1280 249 H1	..CONE, BEARING.....	2	
19	44 159	..ELBOW.....	1	
20	135 762	..TUBE, LUBE.....	1	
21	1434 995 H1	..BREATHER.....	1	
22	149 470	..TUBE, STATOR SUPPORT.....	1	
23	149 527	..PLATE COVER.....	1	
24	70 019	..ROD.....	6	
25	149 529	..WASHER, THRUST.....	1	
26	149 530	..GEAR, IMPELLER HUB.....	1	
27	134 875	..BEARING.....	1	
28	1431 220 H1	..SEAL, OIL.....	1	
29	149 531	..GASKET ELIMINATOR 414 - 50 ML TUBE.....	1	
30	149 532	..RETAINER, BEARING.....	1	
31	55 503	..BOLT.....	7	
32	134 334	..SHAFT, INPUT.....	1	
33	134 337 H45	..RETAINER, BEARING.....	1	
34	135 297	..BOLT.....	3	
35	134 335	..BEARING, BALL.....	1	
36	70 629	..RING, RETAINING.....	1	
37	149 524	..RING, SEAL.....	1	

MAIN CASE



A07DZ001



---

**MAIN CASE**

Item	Part Number	Description	Qty.	Ref.
		TRANSMISSION.....		RF
1	134 361	.CASE, MAIN.....	1	
2	20 973 R1	.PLUG, PIPE.....	3	
3	134 395	.PLUG, EXPANSION.....	2	
4	134 363	.SHIM PACK (SEE ALSO PG 3).....	1	
	134 364	..SHIM - .005 .....	3	
	134 365	..SHIM - .007 .....	1	
	134 366	..SHIM - .020 .....	3	
5	134 937	.SCREEN, SUCTION.....	1	
6	134 945	.GASKET, SUCTION SCREEN .....	1	
7	25 752 R1	.BOLT .....	1	
8	134 944	.CLAMP, TUBE.....	1	
9	134 362	.TUBE, SUCTION.....	1	
10	17 012 R1	.BALL .....	1	
11	25 851 R1	.BOLT .....	1	
12	149 491	.PLUG, PIPE.....	2	
13	1432 522 H1	.PLATE, COVER.....	2	
14	25 480 R1	.BOLT .....	4	
15	120 380	.WASHER, LOCK .....	4	
16	103 339	.WASHER, FLAT .....	4	
17	172 541	.PLUG, EXPANSION.....	1	
18	560 457 C1	.BUSHING, LOCATING.....	2	
19	564 887 C2	.GASKET, MAIN HOUSING (SEE ALSO PG 3)		