

PARTS & SERVICE NEWS

REF NO.	AA99077A
DATE	MAY 7, 2001

Page 1 of 1

This **Parts & Service News** supercedes AA99077 dated April 15, 1999 and should be discarded.

SUBJECT: STEERING CONSOLE NOISE REDUCTION

PURPOSE: To provide dampening of steering valve hose vibration.

APPLICATION: 830 Graders Serial Number 100496 & up
850 Graders Serial Number 100477 & up
870 Graders Serial Number 100481 & up
GD530A/AW Graders Serial Number 200840 & up
GD650A/AW Graders Serial Number 200840 & up
GD670A/AW Graders Serial Number 200840 & up

FAILURE CODE: 6AT268

DESCRIPTION:

Introduction:

Due to pressure variation in the steering system, the hoses may vibrate against the side channels of the steering console causing excess noise. This noise can be reduced by wrapping the hoses (1, Figure 1) together with a foam material (2) and using tie straps (3) to secure the pad to the hoses.

Part Number	Description	Qty.
1432 672 H1	Hose Pad	1
506 132 C2	Tie Strap	2

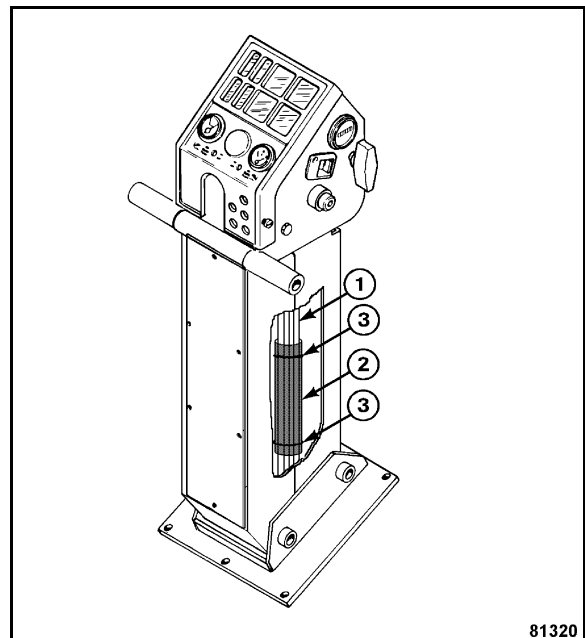


Figure 1 Hoses in Steering Console