

PARTS & SERVICE NEWS

REF NO.	AA99089
DATE	April 28, 1999

Page 1 of 15

SUBJECT: FRONT AXLE AND REAR AXLE LIMITED SLIP DIFFERENTIAL

PURPOSE: To provide service parts

APPLICATION: WA250-3L Wheel Loader S/N A70001 and up
WA250-3PTC Wheel Loader tool carrier S/N A75001 and up

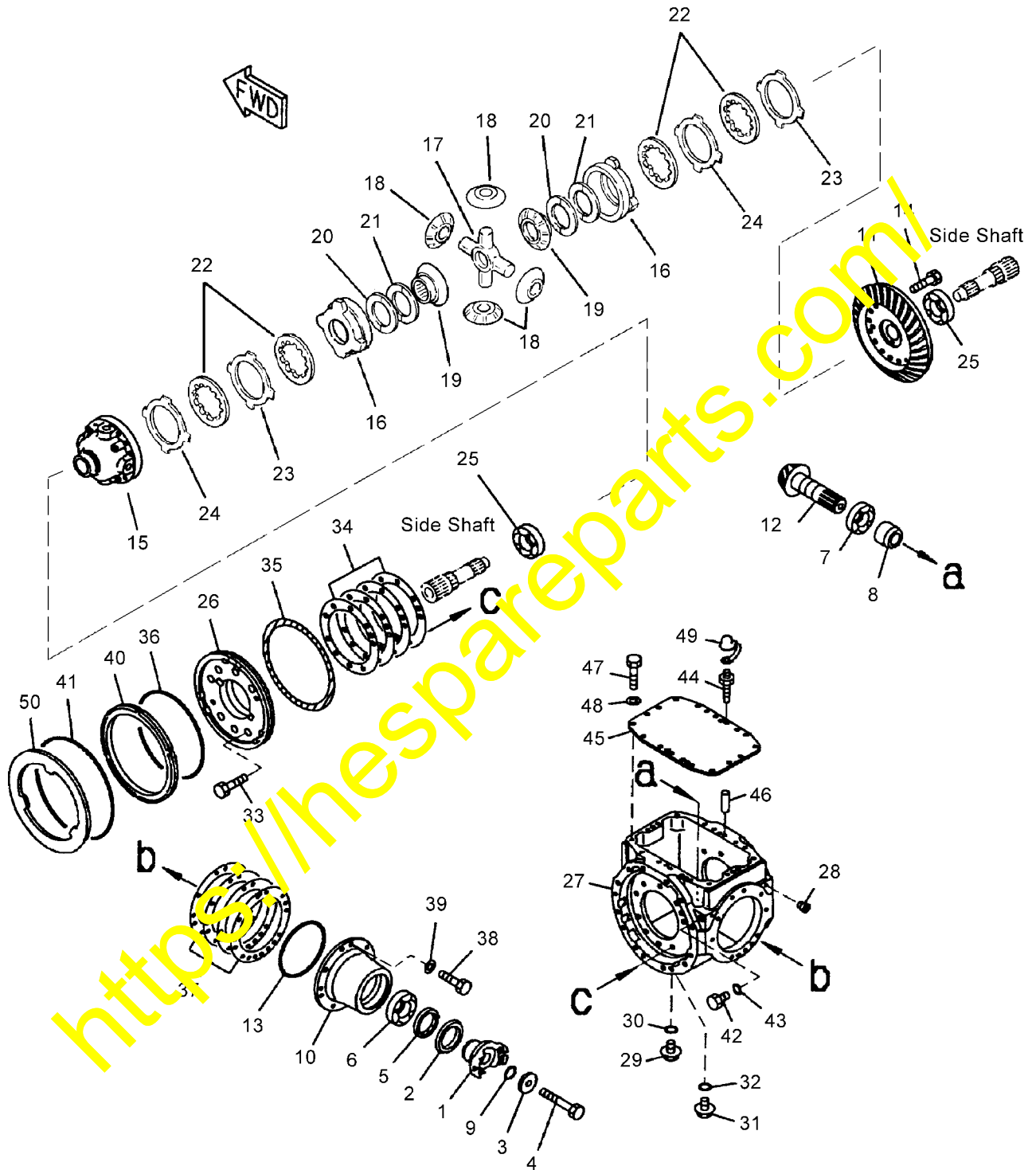
FAILURE CODE: 2A0099

DESCRIPTION: The component service parts for the front and rear axle limited slip differentials are released for service.

For service part numbers of the limited slip differential component parts, refer to the subsequent pages of this PARTS AND SERVICE NEWS.

<https://hespareparts.com/>

FRONT AXLE LIMITED SLIP DIFFERENTIAL

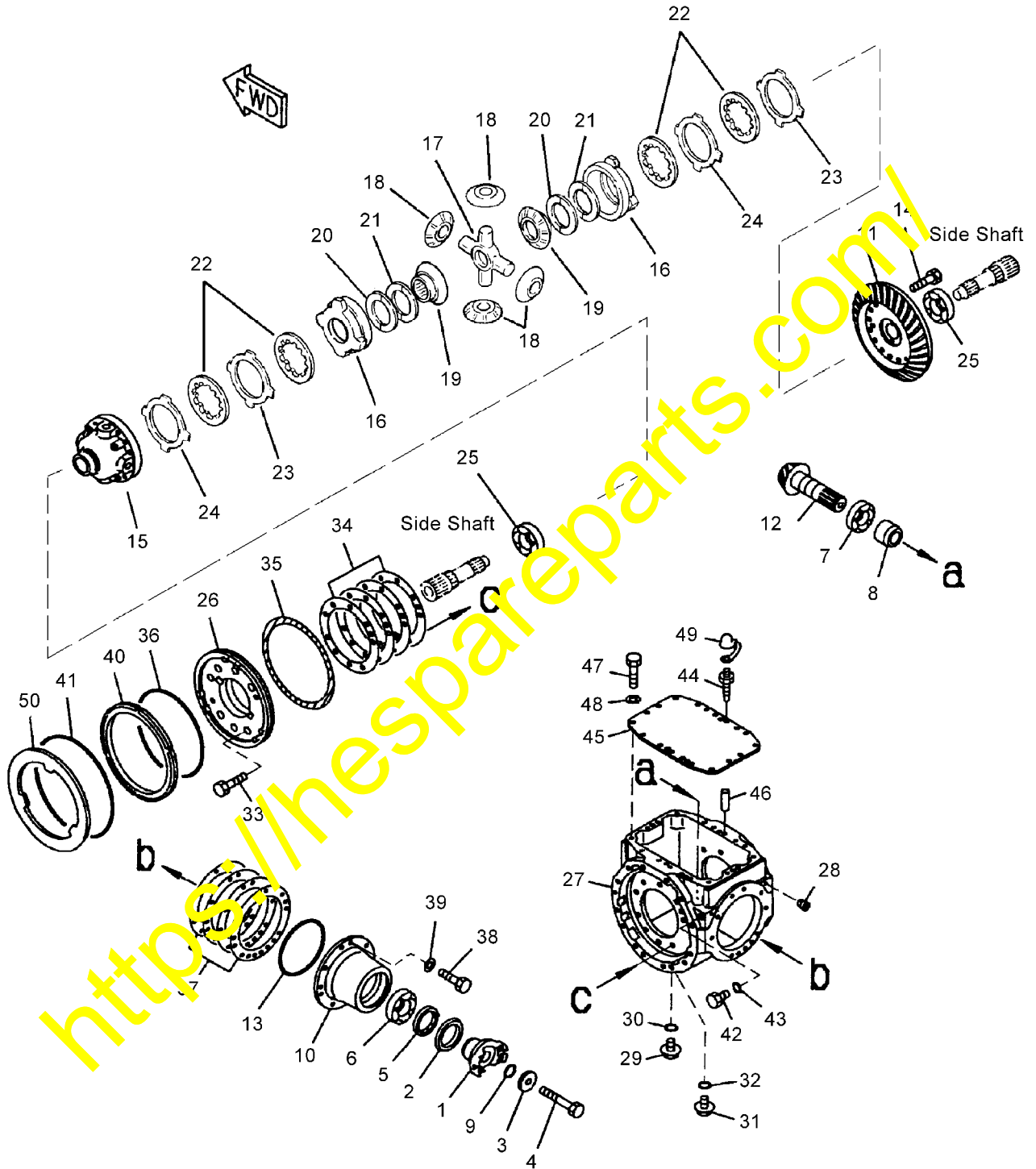


L07FV057

FRONT AXLE
LIMITED SLIP DIFFERENTIAL

Item	Part Number	Description	Qty.	Ref.
	418-22-20050	AXLE ASSEMBLY, FRONT	1	
1	418-22-21250	..COUPLING	1	
2	418-22-21310	..PROTECTOR	1	
3	417-15-13770	..HOLDER	1	
4	01011-61615	..BOLT	1	
5	418-22-21330	..SEAL, OIL	1	
6	418-22-11820	..BEARING	1	
7	418-22-11810	..BEARING	1	
8	418-22-11861	..SPACER	1	
9	07000-13040	..O-RING	1	
10	418-22-21130	..CAGE	1	
	418-22-27160	..PINION ASSEMBLY	1	
11	NSS	..GEAR, BEVEL	1	
12	NSS	..PINION	1	
13	07000-15160	..O-RING	1	
14	01010-61645	..BOLT	16	
	419-22-27200	..DIFFERENTIAL ASSEMBLY, LIMIT SLIP	1	
15	418-22-27110	..CASE	1	
16	418-22-27210	..RING PRESSURE	2	
17	418-22-27220	..SHAFT	1	
18	418-22-27310	..PINION	4	
19	418-22-27320	..GEAR	2	
20	417-22-27370	..WASHER, T2.0	2	
21	417-22-27380	..WASHER, T2.1	2	
22	418-22-27410	..DISC	4	
23	418-22-27450	..PLATE, T3.0	AR	
24	417-22-27360	..PLATE, T3.1	AR	
	NSS	..COVER (FOR SHIPPING PURPOSES ONLY)	1	
	NSS	..BOLT (FOR SHIPPING PURPOSES ONLY)	4	
25	417-22-11850	..BEARING	2	
26	418-22-21160	..CARRIER	2	

FRONT AXLE LIMITED SLIP DIFFERENTIAL

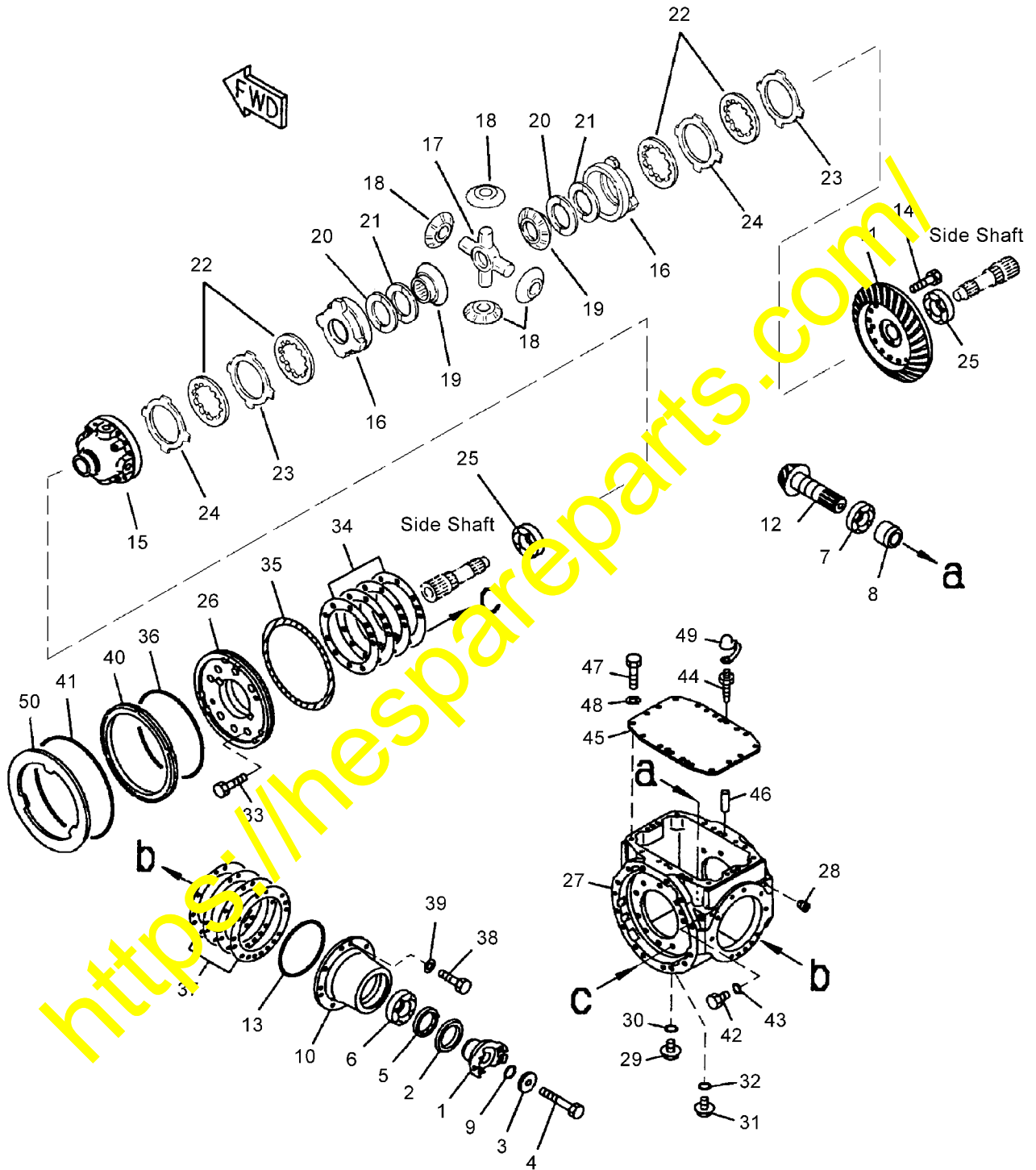


L07FV057

FRONT AXLE
LIMITED SLIP DIFFERENTIAL

Item	Part Number	Description	Qty.	Ref.
27	418-23-23110	.HOUSING	1	
28	07043-70211	.PLUG	2	
29	07044-13620	.PLUG	1	
30	07002-13634	.O-RING	1	
31	419-22-13140	.PLUG	2	
32	07002-03034	.O-RING	2	
33	01010-61230	.BOLT	14	
34	418-22-21510	.SHIM, 0.05MM	6	
	418-22-21520	.SHIM, 0.2M	3	
	418-22-21530	.SHIM, 0.3MM	3	
	418-22-21540	.SHIM, 0.8MM	2	
35	418-33-21430	.RING	2	
36	418-33-21420	.O-RING	2	
37	417-22-11360	.SHIM, 0.05MM	2	
	417-22-11370	.SHIM, 0.2MM	2	
	417-22-13380	.SHIM, 0.3MM	2	
	417-22-11390	.SHIM, 0.8MM	1	
38	01010-61235	.BOLT	8	
39	01643-31232	.WASHER	8	
40	418-33-21120	.PISTON	2	
41	418-33-21410	.O-RING	2	
42	07042-11204	.PLUG	2	
43	07002-11223	.O-RING	2	
44	419-33-11460	.BLEEDER	2	
45	418-22-23120	.COVER	1	
46	04020-01228	.PIN, DOWEL	2	

FRONT AXLE LIMITED SLIP DIFFERENTIAL



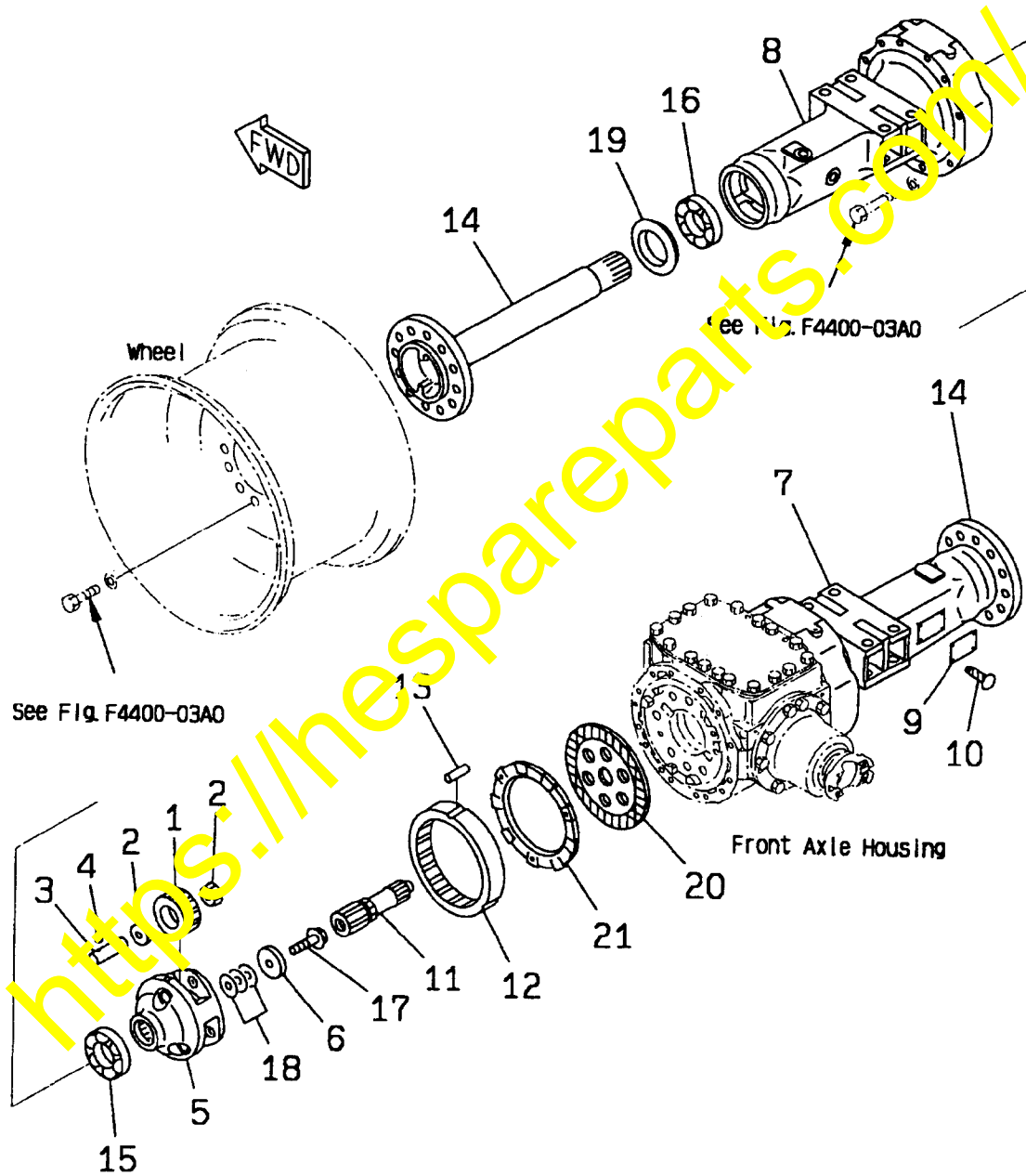
L07FV057

FRONT AXLE
LIMITED SLIP DIFFERENTIAL

47	01010-61230	.BOLT	16
48	01643-31232	.WASHER	16
49	566-32-11620	.CAP	2
50	418-33-21251	.PLATE	2

<https://hespareparts.com/>

FRONT AXLE
FINAL DRIVE AND HOUSING

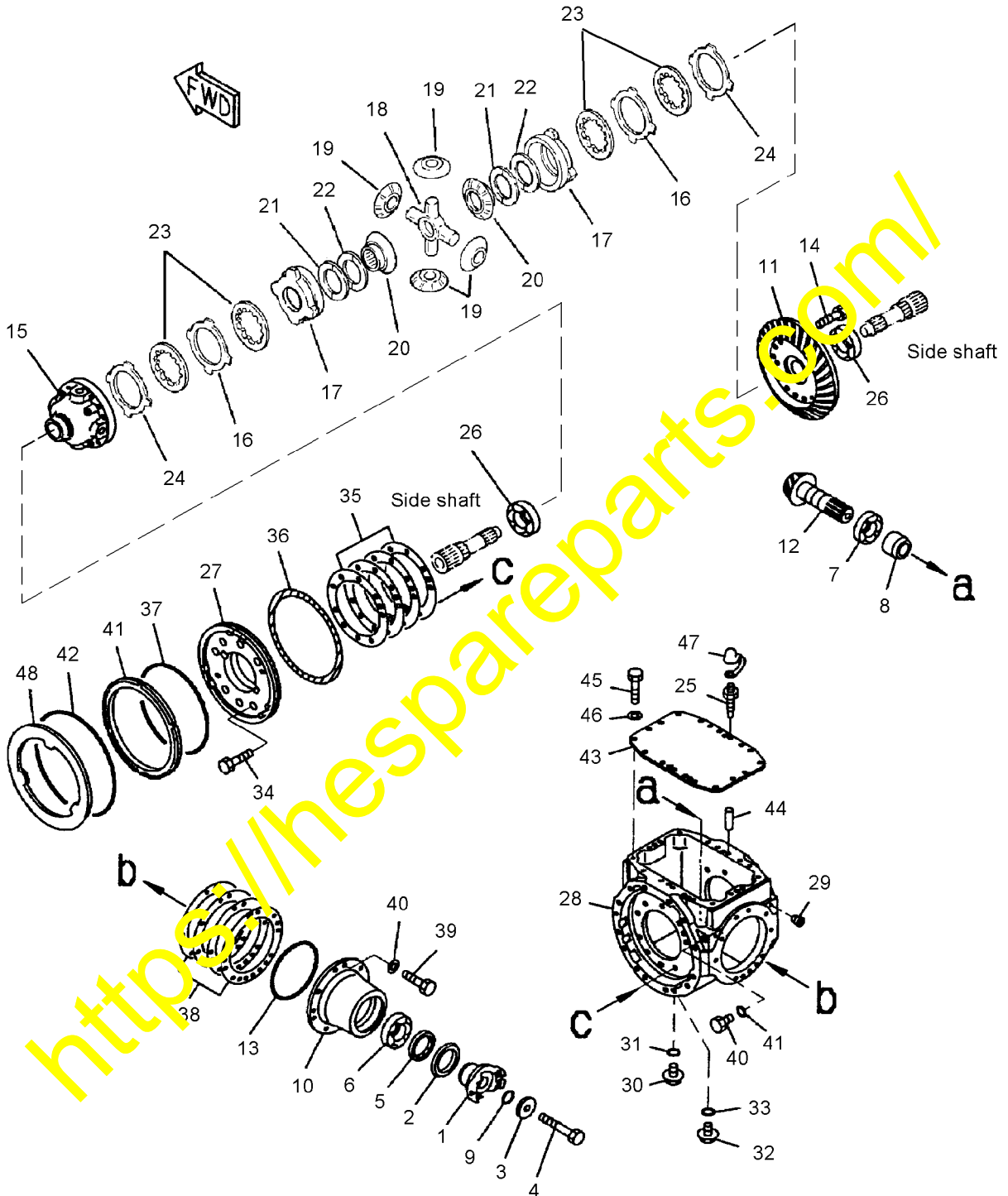


F4400W01.30P

FRONT AXLE
FINAL DRIVE AND HOUSING

Item	Part Number	Description	Qty.	Ref.
	418-22-20050	AXLE ASSEMBLY, FRONT	1	
1	418-22-22430	.GEAR	6	
2	417-22-22810	.BEARING, CONE	12	
3	418-22-12510	.SHAFT	6	
4	419-22-12570	.PIN	6	
5	418-22-22620	.CARRIER	2	
6	418-22-22350	.HOLDER	2	
7	418-22-23410	.HOUSING, RIGHT HAND	1	
8	418-22-23420	.HOUSING, LEFT HAND	1	
9	815-02-10110	.PLATE, NAME	1	
10	04418-13060	.SCREW	4	
11	418-22-22320	.SHAFT	2	
12	418-22-22440	.GEAR	2	
13	419-22-12581	.PIN	6	
14	418-22-22450	.SHAFT	2	
15	418-22-12840	.BEARING	2	
16	418-22-12850	.BEARING	2	
17	01438-02000	.BOLT	2	
18	418-22-21460	.SHIM, 0.05 MM	4	
	418-22-21470	.SHIM, 0.2 MM	4	
	418-22-21480	.SHIM, 0.5 MM	4	
19	418-22-12160	.SEAL	2	
20	418-33-21340	.DISC	2	
21	418-33-21361	.PLATE	2	

REAR AXLE LIMITED SLIP DIFFERENTIAL

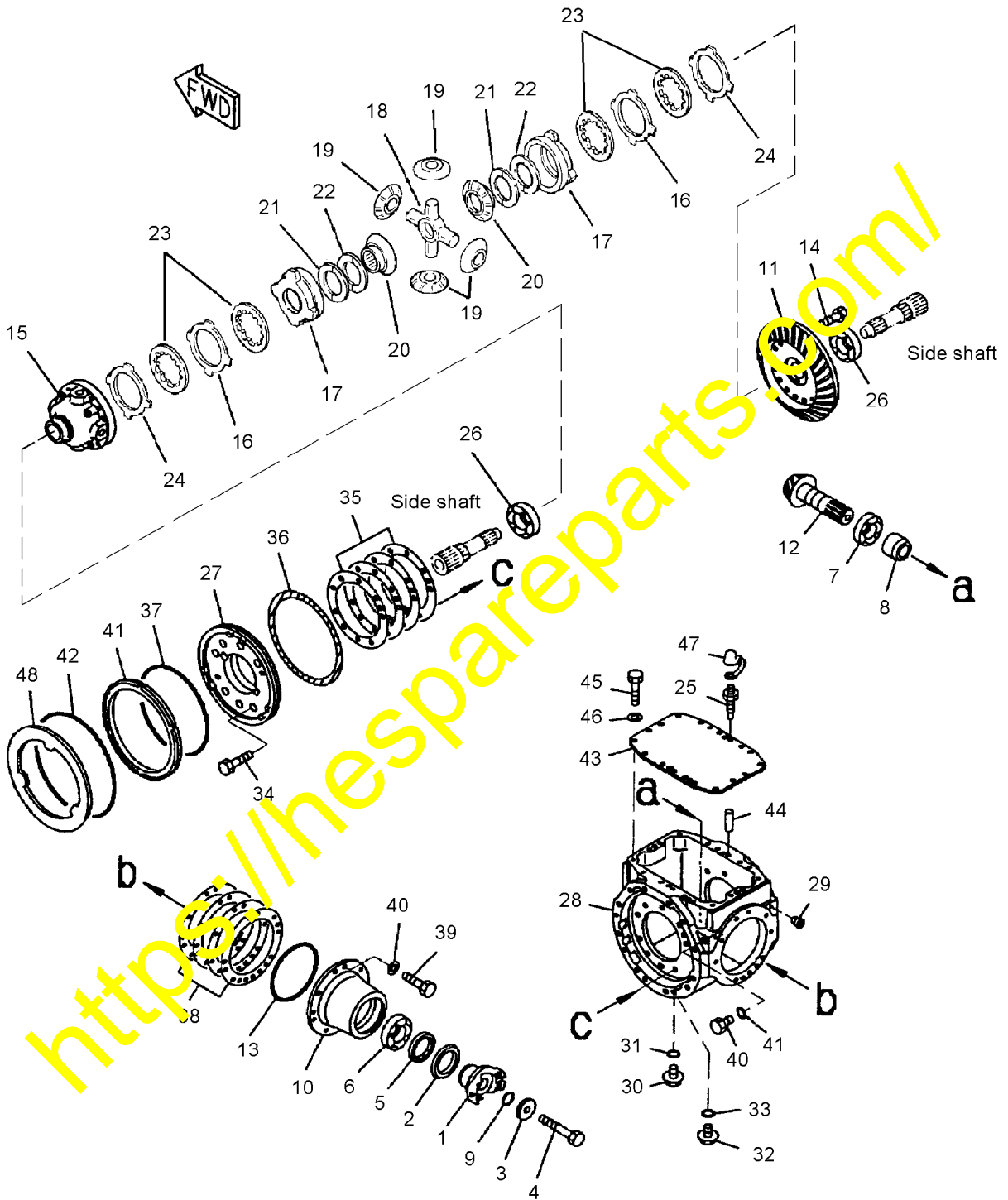


L07FZ033

REAR AXLE
LIMITED SLIP DIFFERENTIAL

Item	Part Number	Description	Qty.	Ref.
	418-23-20050	AXLE ASSEMBLY, REAR	1	
1	418-22-21250	..COUPLING	1	
2	418-22-21310	..PROTECTOR	1	
3	417-15-13770	..HOLDER	1	
4	01011-61615	..BOLT	1	
5	418-22-21330	..SEAL	1	
6	418-22-11820	..BEARING	1	
7	418-22-11810	..BEARING	1	
8	418-22-11861	..SPACER	1	
9	07000-13040	..O-RING	1	
10	418-23-21130	..CAGE	1	
	418-22-27160	..PINION ASSEMBLY	1	
11	NSS	..GEAR, BEVEL	1	
12	NSS	..PINION	1	
13	07000-15160	..O-RING	1	
14	01010-61640	..BOLT	16	
	418-22-27200	..DIFFERENTIAL ASSEMBLY, LIMITED SLIP	1	
15	418-22-27110	..CASE	1	
	NSS	..COVER (FOR SHIPPING PURPOSES ONLY)	1	
	NSS	..BOLT (FOR SHIPPING PURPOSES ONLY)	4	
16	418-22-27460	..PLATE	AR	
17	418-22-27110	..RING, PRESSURE	2	
18	418-22-27200	..SHAFT	1	
19	418-22-27310	..PINION	4	
20	418-22-27320	..GEAR	2	
21	418-22-27370	..WASHER, T2.0	2	
22	417-22-27380	..WASHER, T2.1	2	
23	418-22-27410	..DISC	4	
24	418-22-27450	..PLATE	AR	
25	419-33-11460	..BLEEDER	2	
26	417-22-11850	..BEARING	2	

REAR AXLE LIMITED SLIP DIFFERENTIAL

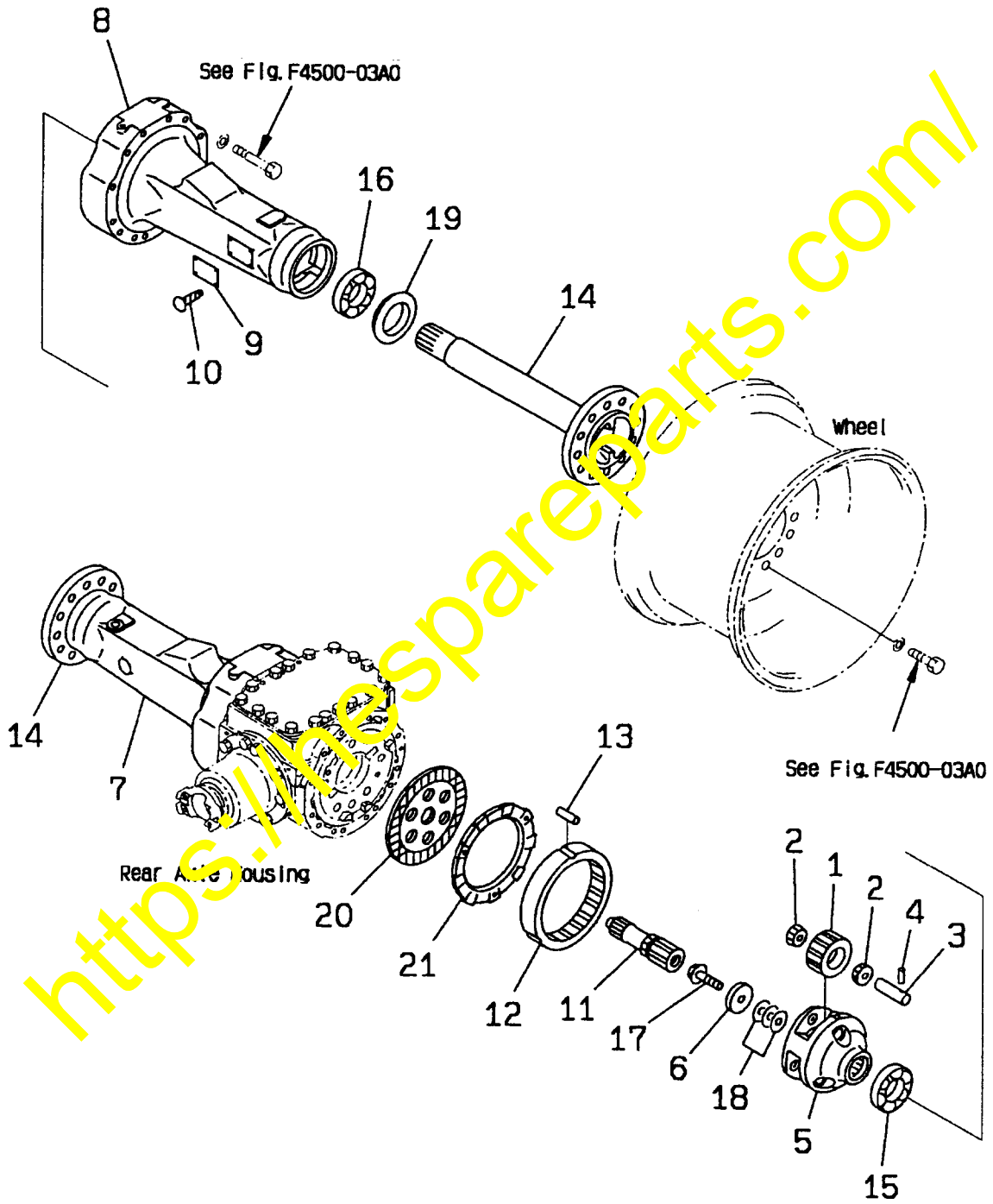


L07FZ033

REAR AXLE
LIMITED SLIP DIFFERENTIAL

Item	Part Number	Description	Qty.	Ref.
27	418-22-21160	.CARRIER	2	
28	418-23-23110	.HOUSING	1	
29	07043-70211	.PLUG	2	
30	07044-13620	.PLUG	1	
31	07002-03634	.O-RING	1	
32	419-22-13140	.PLUG	2	
33	07002-03034	.O-RING	2	
34	01010-61230	.BOLT	14	
35	418-22-21510	.SHIM, 0.05MM	6	
	418-22-21520	.SHIM, 0.2MM	3	
	418-22-21530	.SHIM, 0.3MM	3	
	418-22-21540	.SHIM, 0.8MM	2	
36	418-33-21430	.RING	2	
37	418-33-21420	.O-RING	2	
38	417-22-11360	.SHIM, 0.05MM	2	
	417-22-11370	.SHIM, 0.2MM	2	
	417-22-11380	.SHIM, 0.3MM	2	
	417-22-11390	.SHIM, 0.8MM	1	
39	01010-61235	.BOLT	13	
40	01643-31232	.WASHER	13	
41	418-33-21120	.PISTON	2	
42	418-33-21110	.O-RING	2	
43	418-22-23120	.COVER	1	
44	04020-31228	.PIN, DOWEL	2	
45	01010-61230	.BOLT	16	
46	01643-31232	.WASHER	16	
47	566-32-61230	.CAP	2	
48	418-33-21250	.PLATE	2	
49	07040-11209	.PLUG	2	
50	07002-11223	.O-RING	2	

REAR AXLE FINAL DRIVE AND HOUSING



F4500W01.20P

REAR AXLE
FINAL DRIVE AND HOUSING

Item	Part Number	Description	Qty.	Ref.
	418-23-20050	AXLE ASSEMBLY, REAR	1	
1	418-22-22530	.GEAR	6	
2	417-22-22810	.BEARING, CONE	12	
3	418-22-12510	.SHAFT	6	
4	419-22-12570	.PIN	6	
5	418-22-22610	.CARRIER	2	
6	418-22-22350	.HOLDER	2	
7	418-23-23220	.HOUSING, RIGHT HAND	1	
8	418-23-23210	.HOUSING, LEFT HAND	1	
9	815-02-10110	.PLATE, NAME	1	
10	04418-13060	.SCREW	4	
11	418-22-22420	.SHAFT	2	
12	418-22-12540	.GEAR	2	
13	419-22-12581	.PIN	6	
14	418-22-22450	.SHAFT	2	
15	418-22-12840	.BEARING ASSEMBLY	2	
16	418-22-12850	.BEARING ASSEMBLY	2	
17	01438-02000	.BOLT	2	
18	418-22-21460	.SHIM, 0.05 MM	4	
	418-22-21470	.SHIM, 0.2 MM	4	
	418-22-21480	.SHIM, 0.5 MM	4	
19	418-22-12160	.SEAL	2	
20	418-33-21240	.DISC	2	
21	418-33-21361	.PLATE	2	