

# PARTS & SERVICE NEWS

REF NO.	AA99105
DATE	JUNE 10, 1999

**SUBJECT:** ELECTRONIC HEATER VALVE KIT

**PURPOSE:** TO PROVIDE PARTS BOOK PAGES

**APPLICATION:** WA120-3L Wheel Loaders - All Machines  
 WA180-3L, WA180-3LPTC Wheel Loaders - All Machines  
 WA250-3L, WA250-3LPTC Wheel Loaders - All Machines  
 WA320-3L Wheel Loaders - All Machines  
 WA380-3L Wheel Loaders - All Machines  
 WA420-3L Wheel Loaders - All Machines  
 WA450-3L Wheel Loaders - All Machines

**FAILURE CODE:** 822099

**DESCRIPTION:**

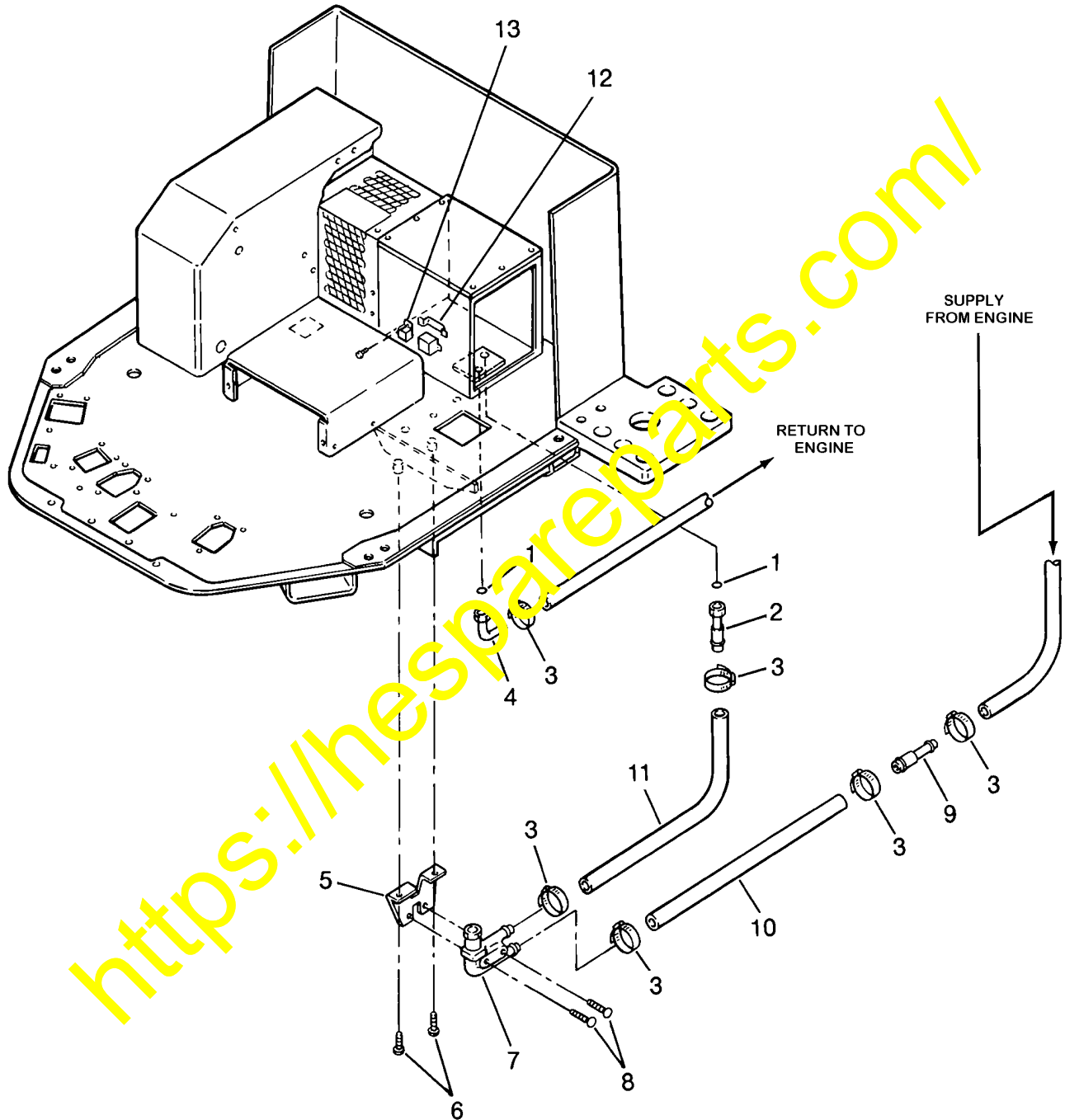
To provide the parts book pages for the new electronic heater valve and the associated solenoid valve kits.

Water Valve 419-963-A150 is being replaced by 419-963-AC60 on all models, but two solenoid valve kits are used to service all the applicable models. They are:

Kit Number	Models Serviced
1312-034 H91	WA120-3L thru WA250-3L
1312-035 H91	WA320-3L thru WA450-3L

The following pages list the parts associated with the new water valve and show their location.

# AIR CONDITIONER HEATER PIPING



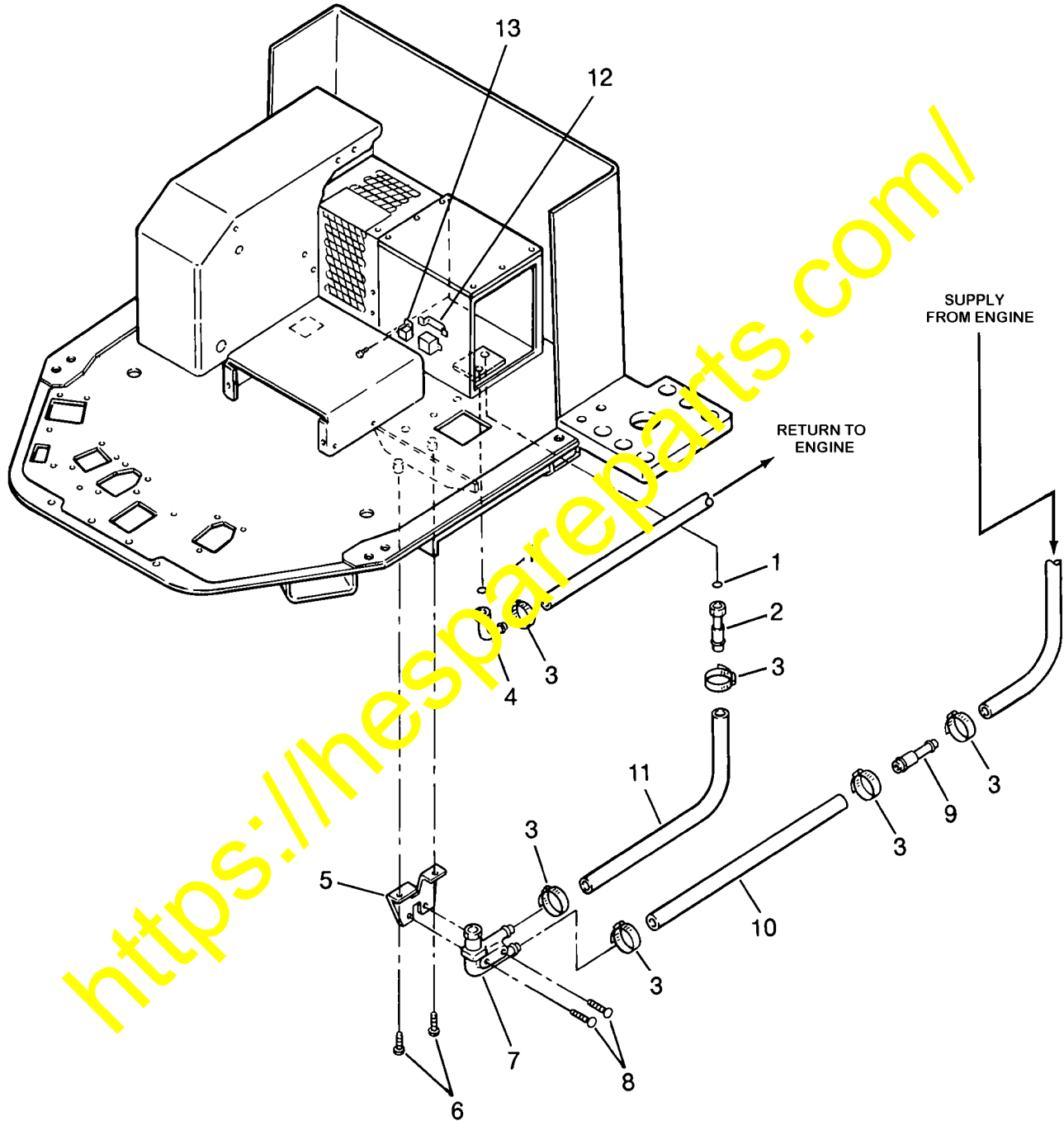
VLPB0722

**AIR CONDITIONER  
HEATER PIPING**

Item	Part Number	Description	Qty.	Ref.
		AIR CONDITIONER HEATER (SEE FIG. K0710-01A0)	1	
	1312 034 H91	KIT, BOSCH SOLENOID VALVE .....	1	
1	425-963-AB80	.O-RING .....	2	
2	419-963-AC90	.ADAPTER .....	1	
3	122 316 R91	.CLIP, CLOSED .....	5	
4		.ELBOW, HOSE .....	1	
5	417-963-A670	.BRACKET .....	1	
6	30 019 R1	.SCREW .....	1	
7	419-963-AC60	.VALVE, WATER .....	1	
8	20Y-979-A840	.SCREW .....	1	
9	419-963-AC80	.ADAPTER .....	1	
10	364 360 C1	.HOSE, INLET - 18.75 IN .....	1	
11	364 360 C1	.HOSE, INLET - 14.5 IN .....	1	
12	419-963-AD70	.BRACKET, RELAY .....	1	
13	419-963-AD50	.RELAY .....	1	
	426-942-A210	.SCREW, LOCK #10NCX1/2 .....	1	

<https://thespareparts.com/>

**AIR CONDITIONER  
HEATER PIPING**

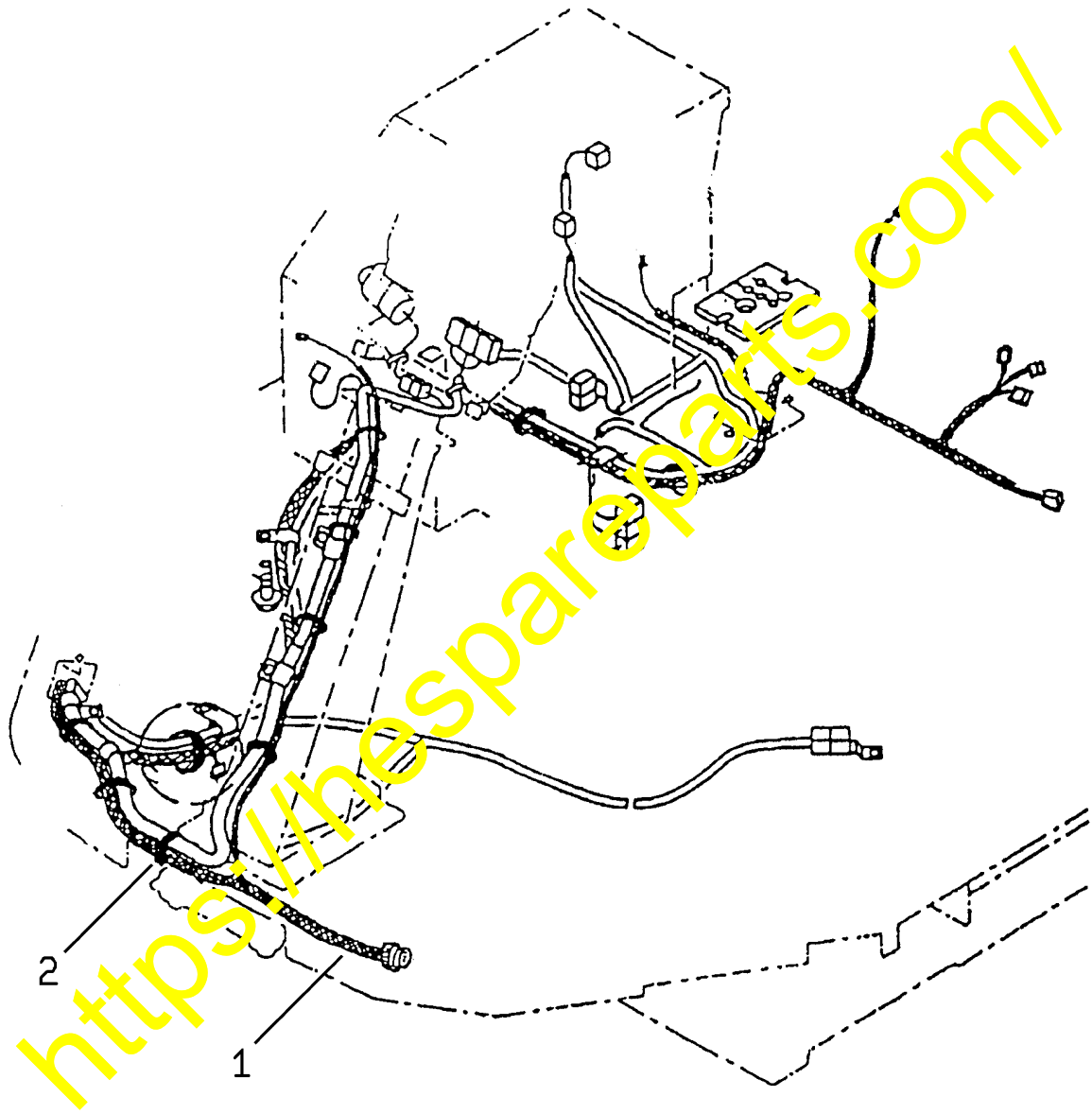


VLPB0722

**AIR CONDITIONER  
HEATER PIPING**

Item	Part Number	Description	Qty.	Ref.
		AIR CONDITIONER HEATER (SEE FIG. K0710-01A0)	1	
	1312 035 H91	KIT, BOSCH SOLENOID VALVE .....	1	
1	425-963-AB80	.O-RING .....	2	
2	419-963-AC90	.ADAPTER .....	1	
3	122 316 R91	.CLIP, CLOSED .....	5	
4	1431 254 H1	.ELBOW, HOSE .....	1	
5	417-963-AO60	.BRACKET .....	1	
6	30 019 R1	.SCREW .....	1	
7	419-963-AC60	.VALVE, WATER .....	1	
8	20Y-979-A840	.SCREW .....	1	
9	419-963-AC80	.ADAPTER .....	1	
10	364 360 C1	.HOSE, INLET - 18.75 IN .....	1	
11	364 360 C1	.HOSE, INLET - 14.5 IN .....	1	
12	419-963-AD70	.BRACKET, RELAY .....	1	
13	419-963-AD50	.RELAY .....	1	
	426-942-A210	.SCREW, LOCK #10NCX1/2 .....	1	

AIR CONDITIONER  
ELECTRICAL



K0710W02.10P

---

**AIR CONDITIONER  
ELECTRICAL**

---

<b>Item</b>	<b>Part Number</b>	<b>Description</b>	<b>Qty.</b>	<b>Ref.</b>
		AIR CONDITIONER HEATER (SEE FIG. K0710-01A0)	1	
1	419-963-AC40	.HARNESS, WIRE .....	1	
2	935 522 C1	.STRAP, TIE .....	6	

<https://hespareparts.com/>