

PARTS & SERVICE NEWS

REF NO.	AA99114A
DATE	April 14, 2004

(C)

This **Parts & Service News** supercedes AA99114 dated July 7, 1999 and should be discarded

SUBJECT: CONDENSER FAN MOTOR ASSEMBLY FOR EAGLE AIR CONDITIONER

PURPOSE: Change motor assembly in machines listed

APPLICATION: WA500-1LC Wheel Loader, S/N A60016 and up
 WA500-1LE Wheel Loader, S/N A61006 and up
 WA600-1LC Wheel Loader, S/N A50011 and up
 WA600-1LE Wheel Loader, S/N A51001 and up
 558 Wheel Loader, S/N 006001 and up and 6027 and up
 568 Wheel Loader, S/N 7001 and up

FAILURE CODE: 872C5D

DESCRIPTION:

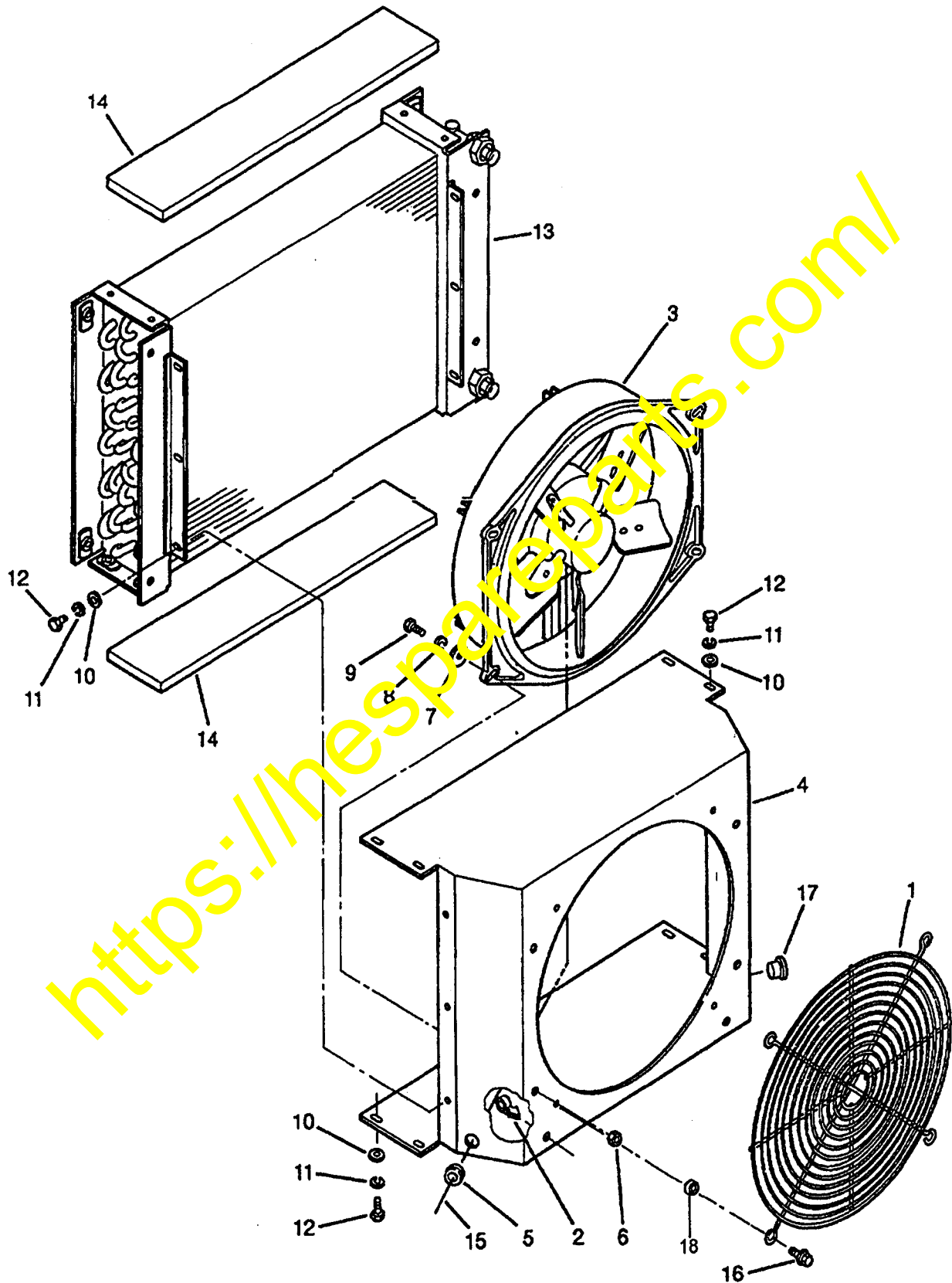
The following parts are to be changed as listed:

Old Part No.	Description	New Part No.
425-963-A020	Air Conditioner Condenser Unit	425-963-A021
425-963-AD80	Condenser Fan Assembly, Fan & Motor	425-963-AD81

The following spacer will now be necessary: 1308 979 H1 Plastic Spacer.

<https://thespareparts.com/>

AIR CONDITIONING CONDENSER



The following is an updated parts listing for the Air Conditioner condenser:

ITEM	PART NO.	DESCRIPTION	Qty	REFERENCE
	425-963-A021	Condenser Ass'y	1	New or Changed Part Number
1	425-963-AC50	.Guard, Fan	1	
2	425-963-A820	.Anchor, Wire Tie	1	
3	425-963-AD81	.Fan Assembly	1	New or Changed Part Number
4	425-963-A650	.Housing, Condenser Weldment	1	
5	425-963-AB40	.Grommet	1	
6	425-963-830	.Nut, M8 X 1-1/4 Acorn	4	
7	01643-50823	.Washer, 8mm Flat	4	
8	01602-20825	.Washer, 8mm Locking	4	
9	01010-50820	.Bolt, M8 x 1-1/4 x 20 Hex	4	
10	147 579	.Washer, 3/16 flat	14	
11	120 380	.Washer, 1/4 Locking	14	
12	01010-50610	.Bolt, M6 X 1 X 10 Hex	14	
13	425-963-AC30	.Coil, Condenser	1	
14	425-963-A580	.Foam, Cover	2	
15	425-963-AD20	.Harness, Wiring	1	
16	425-963-A730	.Bolt, 1/4 X 20 X3.4 Flange Head	4	
17	425-963-A890	.Plug, Plastic 9/16	1	
18	1308 979 H1	Spacer, plastic	4	