

| | | |
|---------------------------------|---------|--------------|
| PARTS & SERVICE NEWS | REF NO. | AH03502b |
| | DATE | May 27, 2004 |

This PARTS & SERVICE NEWS supersedes the previous issue AH03502a which should be discarded.

SUBJECT: Transfer pump for hydraulic oil

PURPOSE: Gear pump (PN 372 329 40) not longer deliverable

APPLICATION: H 255A (06183; 06188);
 PC4000 (08151);
 H 455 (15009);
 H 485; (12002-004, 12006-019);
 H 485; H 655; H 685; PC8000 (12020; 12022, 12024-035, 12037)

FAILURE CODE: J100ZA

DESCRIPTION:

Refilling pump (old version): PN 372 329 40
 Refilling pump (new version): PN 018 859 40

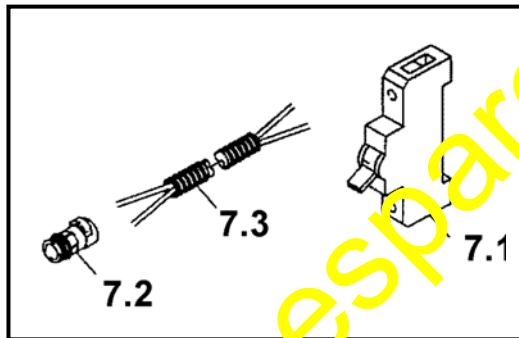
Replace the refilling pump according to the drawings at the following pages.

| Type | Serial Number | Page |
|--------------------------------|---------------------------------|------|
| 1. H 255A | (06183; 06188); | 2 |
| 2. PC4000 | (08151); | 5 |
| 3. H 455 | (15009); | 8 |
| 4. H 485 | (12002-004, 12006-019); | 11 |
| 5. H 485; H 655; H 685; PC8000 | 12020; 12022, 12024-035, 12037) | 14 |

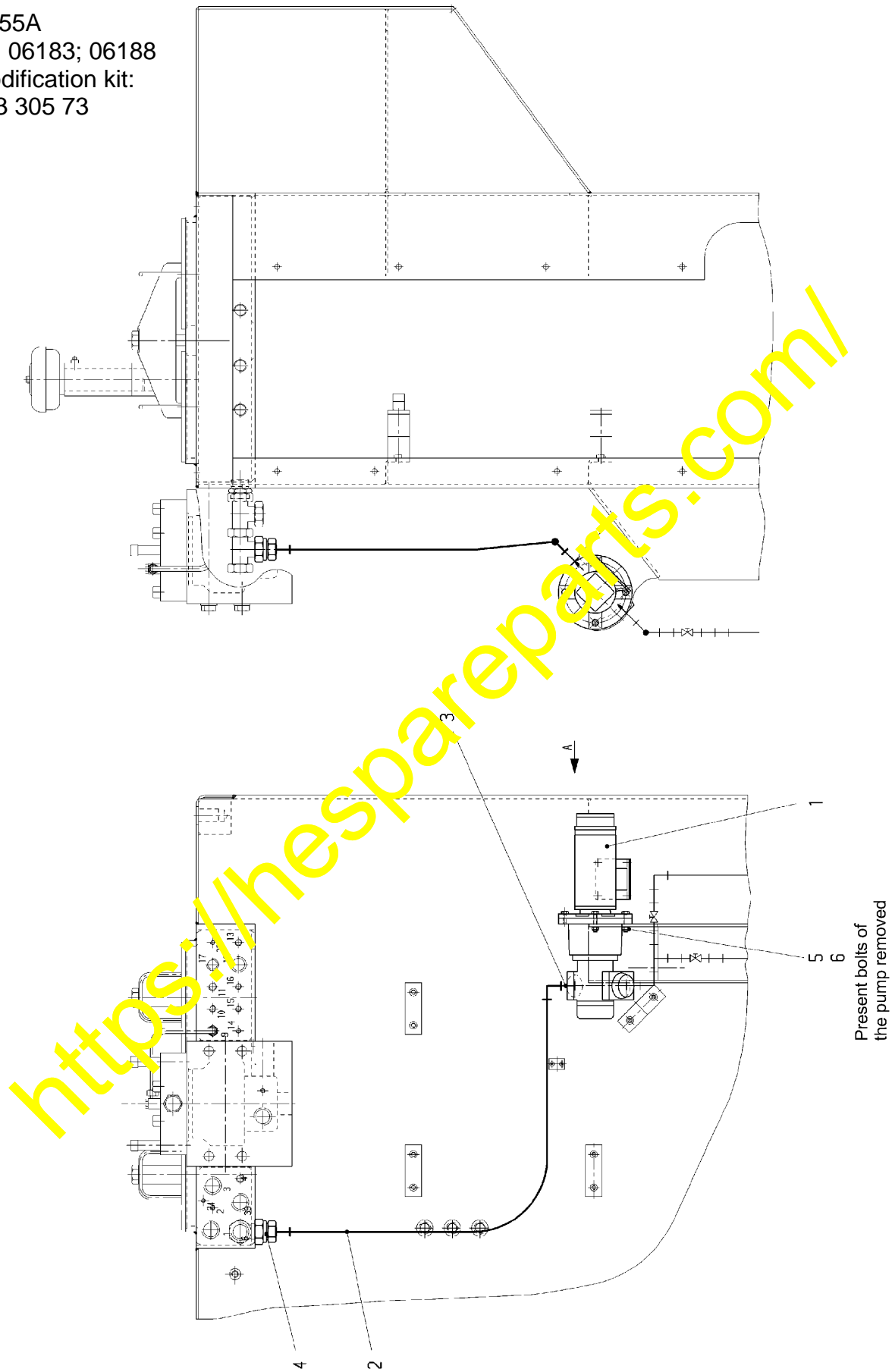
**1. Modification kit H 255A (Part No. 793 305 73)
for Serial No. 06183 and 06188**

| Pos. | Number | Part no. | Name |
|------|--------|------------|----------------|
| 2 | 1 | 517 391 98 | Hose assy. |
| 3 | 1 | 374 460 99 | Screwed socket |
| 4 | 1 | 372 934 99 | Union |
| 5 | 3 | 511 873 98 | Bolt |
| 6 | 3 | 515 220 98 | Nut |
| 7.1 | 1 | 655 184 40 | Breaker 50A |
| 7.2 | 1 | 655 623 40 | Cable union |
| 7.3 | 1 | 921 578 40 | Harness |

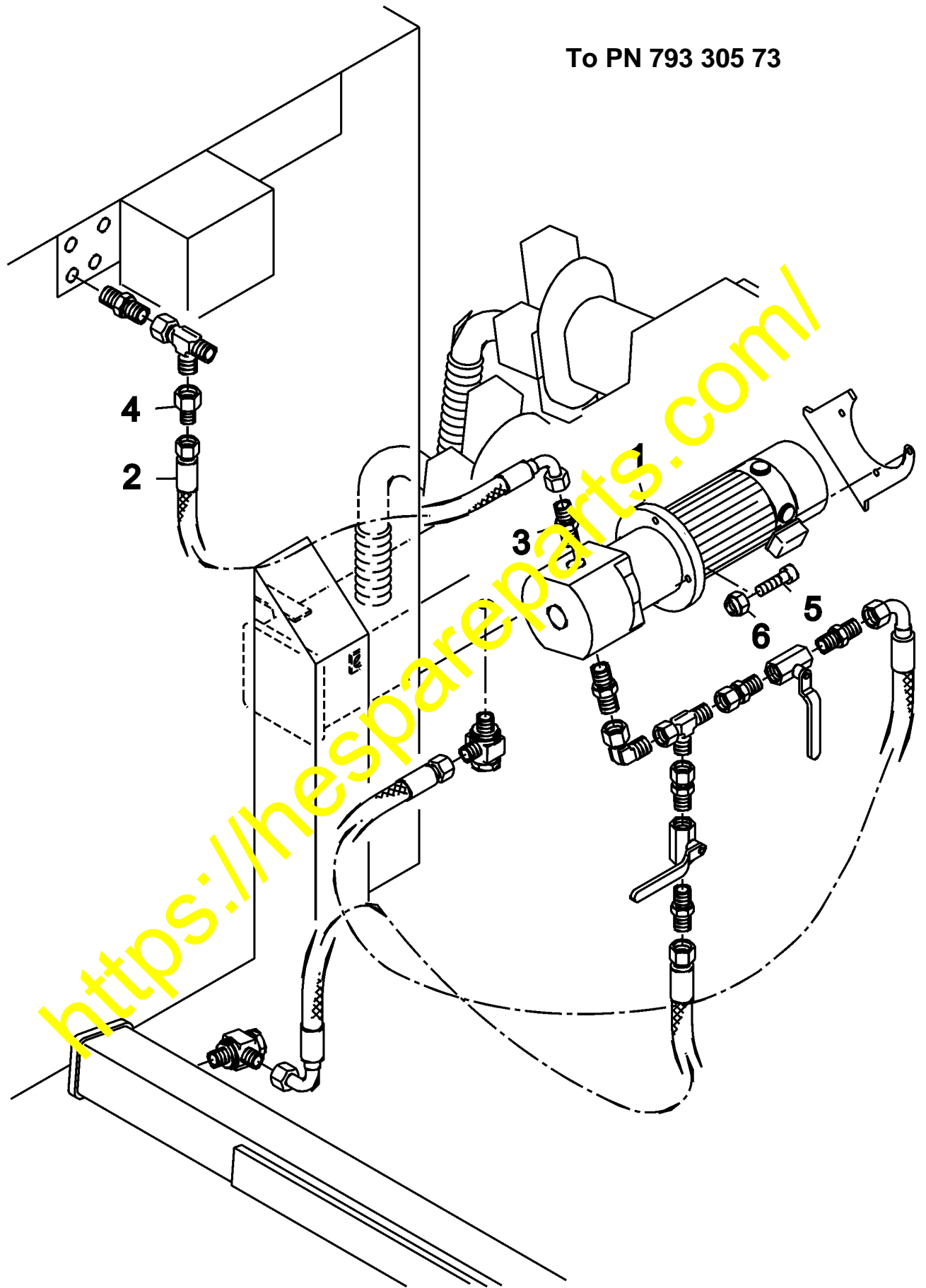
* Electric parts for modification (793 305 73)
(included in the modification kits above)



H255A
SN 06183; 06188
Modification kit:
793 305 73



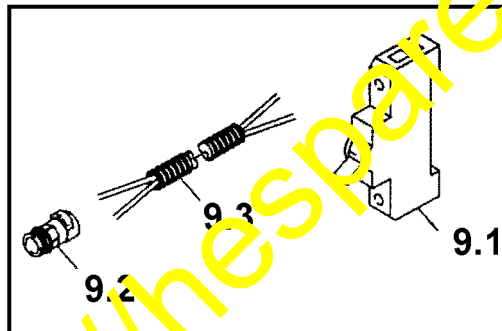
To PN 793 305 73

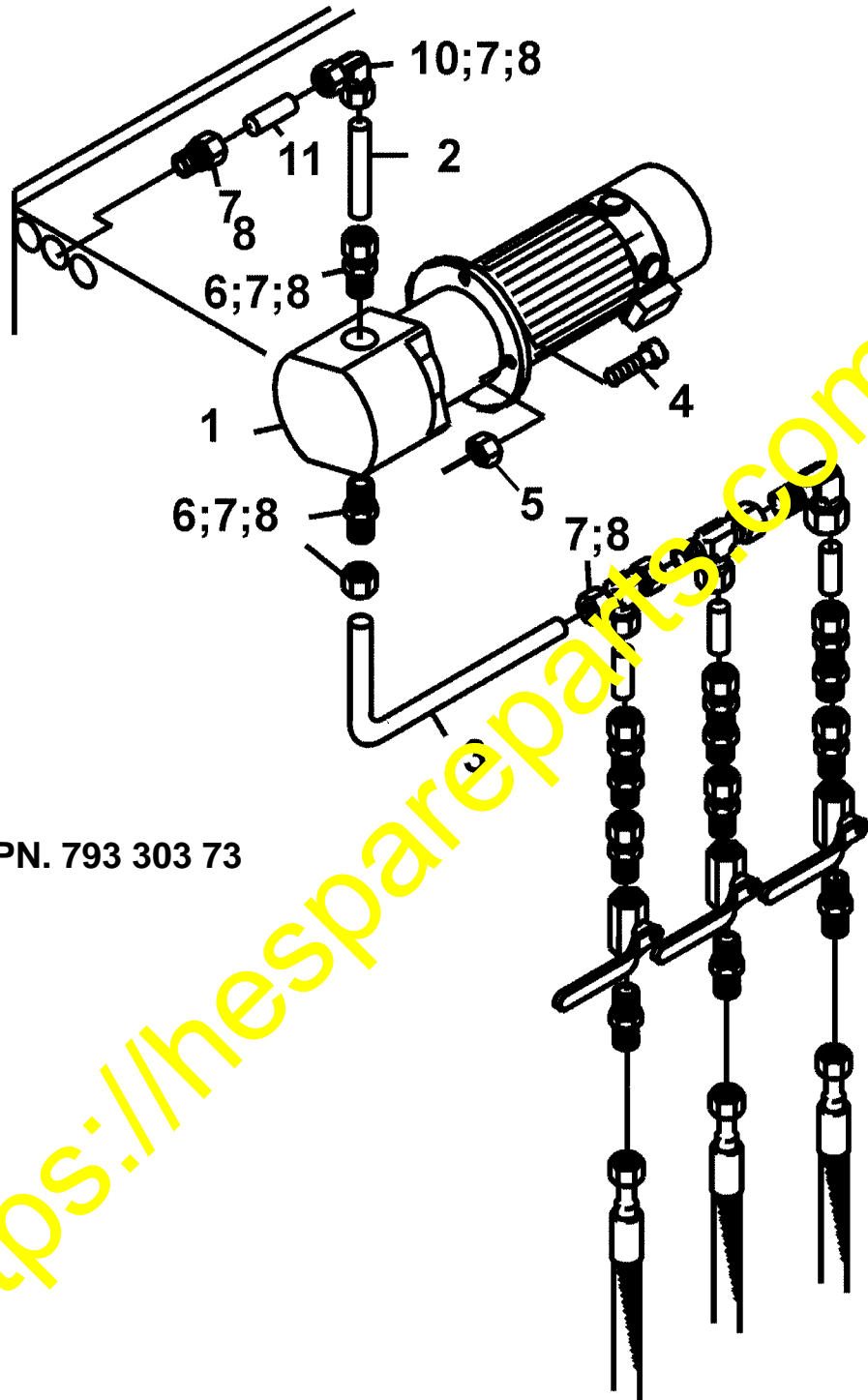


**2. Modification kit PC4000 (Part No. 793 303 73)
for Serial No. 08151**

| Pos. | Number | Part no. | Name |
|------|--------|------------|------------------|
| 4 | 3 | 511 873 98 | Bolt |
| 5 | 3 | 515 220 98 | Resilient sleeve |
| 6 | 2 | 374 460 99 | Socket |
| 7 | 6 | 906 979 40 | Olive |
| 8 | 6 | 371 279 99 | Union nut |
| 9.1 | 1 | 655 184 40 | Breaker 50A |
| 9.2 | 1 | 655 623 40 | Cable union |
| 9.3 | 1 | 921 578 40 | Harness |
| 10 | 1 | 516 764 98 | Socket |
| 500 | 1 | 923 098 40 | 3 Pipes |

* Electric parts for modification (793 303 73)
(included in the modification kits above)





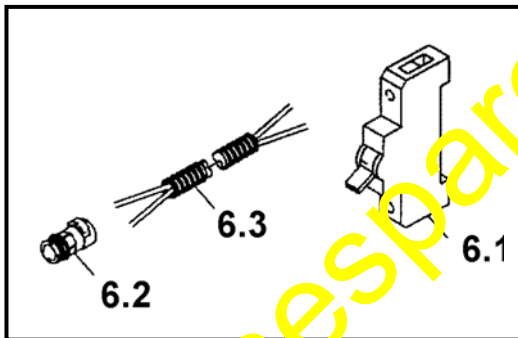
To PN. 793 303 73

<https://hespareparts.com/>

**3. Modification kit H 455 (Part No. 793 304 73)
for Serial No. 15009**

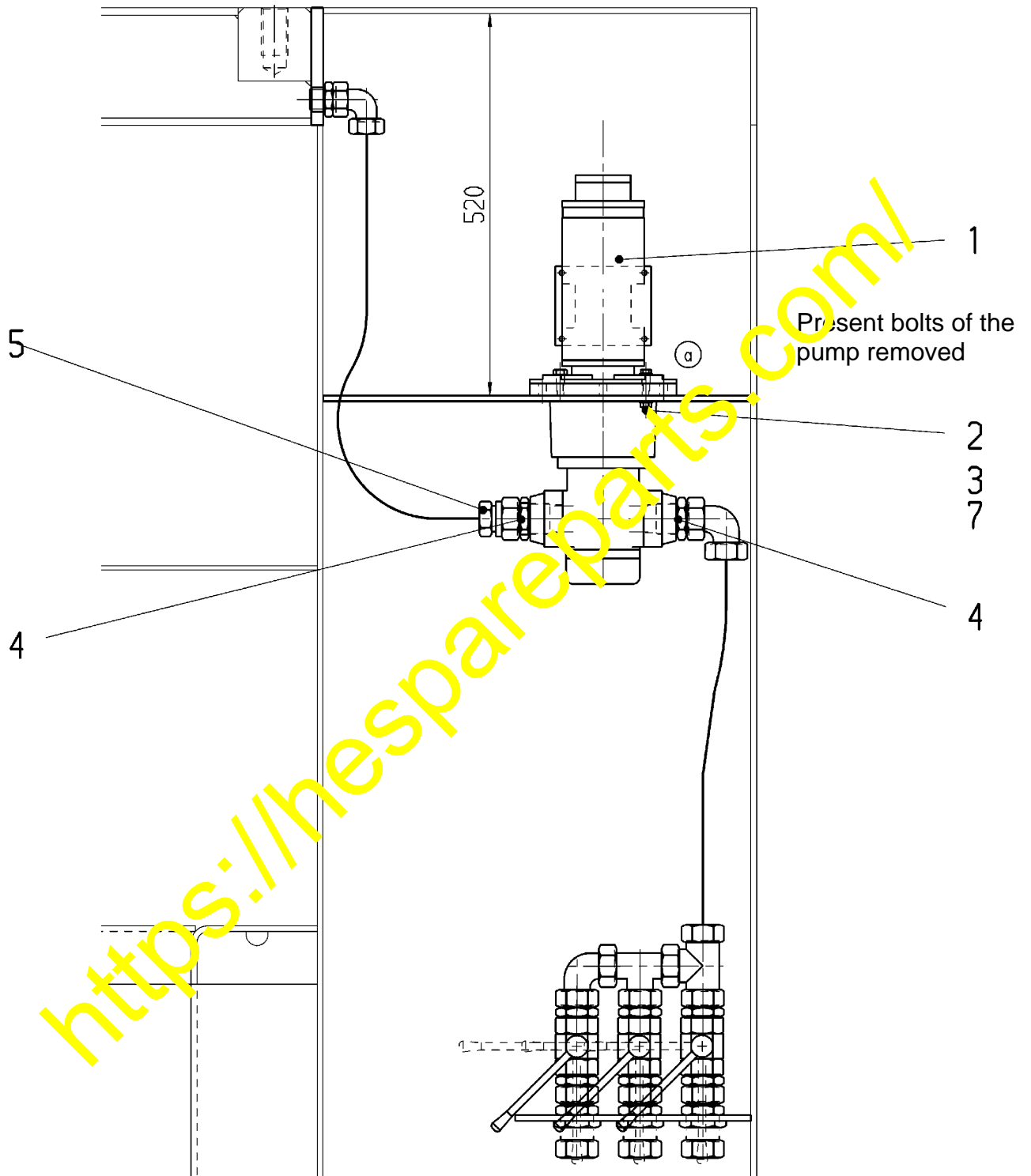
| Pos. | Number | Part no. | Name |
|------|--------|------------|----------------|
| 2 | 3 | 308 556 99 | Bolt |
| 3 | 3 | 334 599 99 | Nut |
| 4 | 2 | 374 460 99 | Screwed socket |
| 5 | 1 | 576 471 40 | Union |
| 6.1 | 1 | 655 184 40 | Breaker 50A |
| 6.2 | 1 | 655 623 40 | Cable union |
| 6.3 | 1 | 921 578 40 | Harness |
| 7 | 6 | 340 507 99 | Washer |

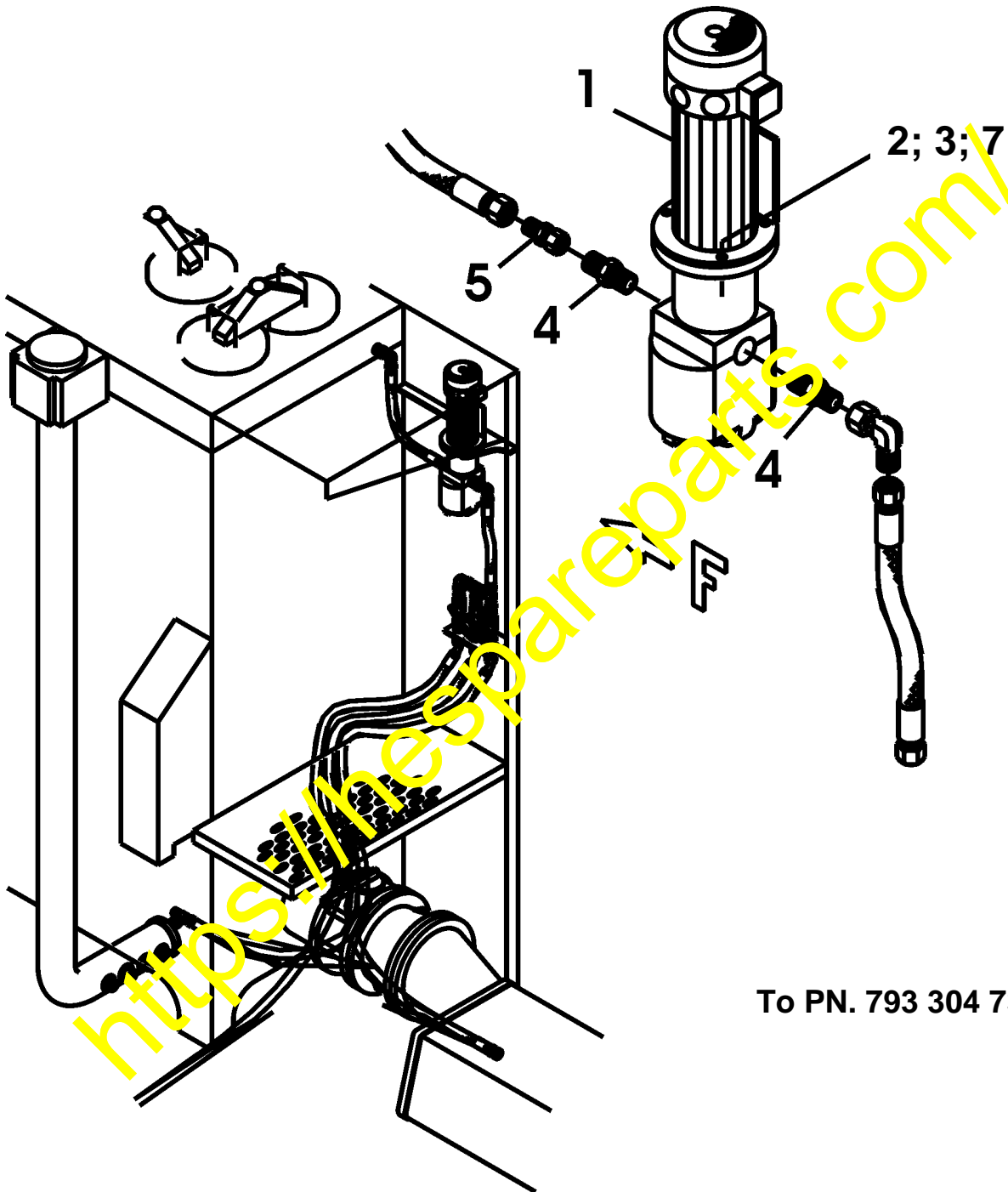
* Electric parts for modification (793 304 73)
(included in the modification kits above)



<https://hespareparts.com/>

H455 (SN 15009)
Modification kit: 793 304 73)



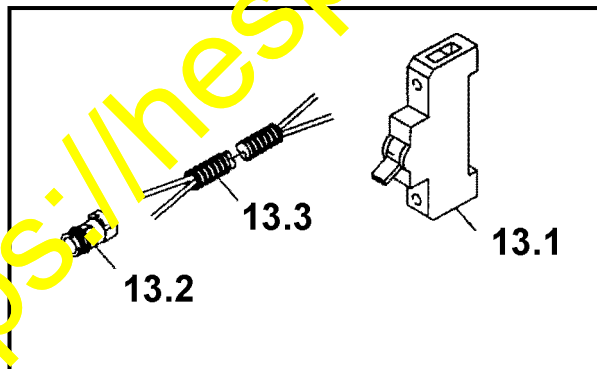


To PN. 793 304 73

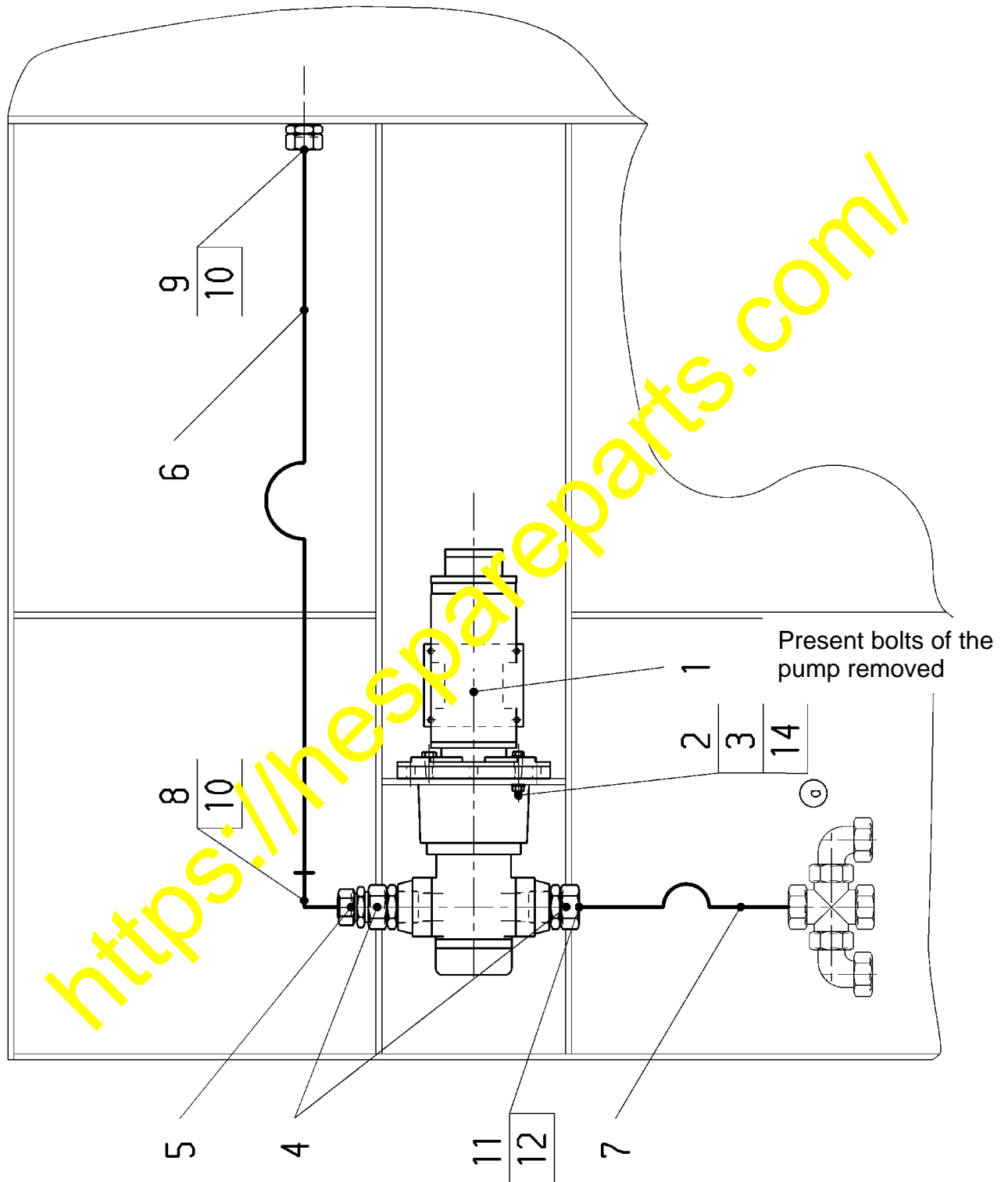
**4. Modification kit H 485 (Part No. 793 301 73)
for Serial No. 12002 to 12019**

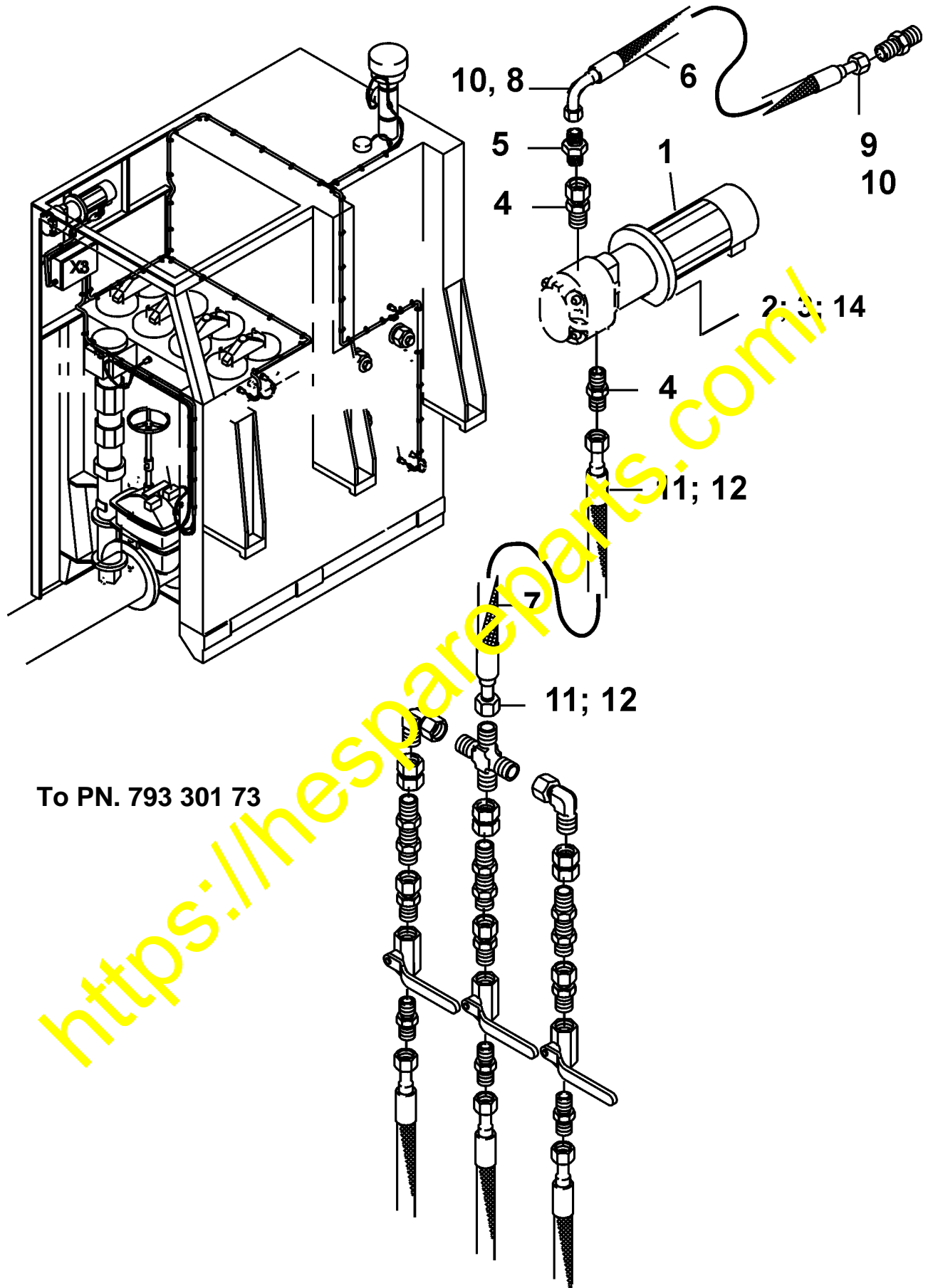
| Pos. | Number | Part no. | Name |
|------|--------|------------|-------------|
| 2 | 3 | 308 556 99 | Bolt |
| 3 | 3 | 340 507 99 | Washer |
| 4 | 2 | 374 460 99 | Socket |
| 5 | 1 | 576 471 40 | Union |
| 6 | 1 | 323 901 40 | Hose NW25 |
| 7 | 1 | 269 962 40 | Hose NW32 |
| 8 | 1 | 324 498 40 | Fitting |
| 9 | 1 | 368 288 40 | Fitting |
| 10 | 2 | 368 287 40 | Socket |
| 11 | 2 | 323 195 40 | Fitting |
| 12 | 2 | 266 656 40 | Socket |
| 13.1 | 1 | 655 184 40 | Breaker 50A |
| 13.2 | 1 | 655 623 40 | Cable union |
| 13.3 | 1 | 921 578 40 | Harness |
| 14 | 3 | 334 599 99 | Nut |

**Electric parts for modification (793 301 73)
(included in the modification kit above)**



H485 (SN 12002 – 019)
Modification kit: 793 301 73

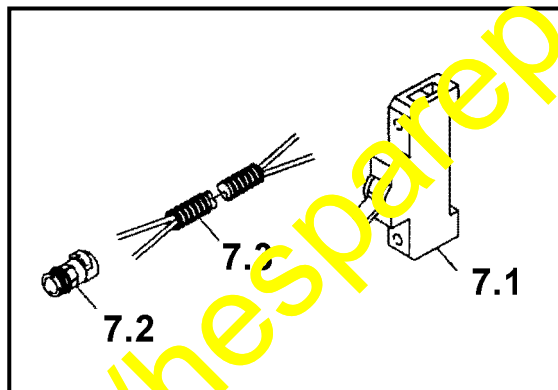




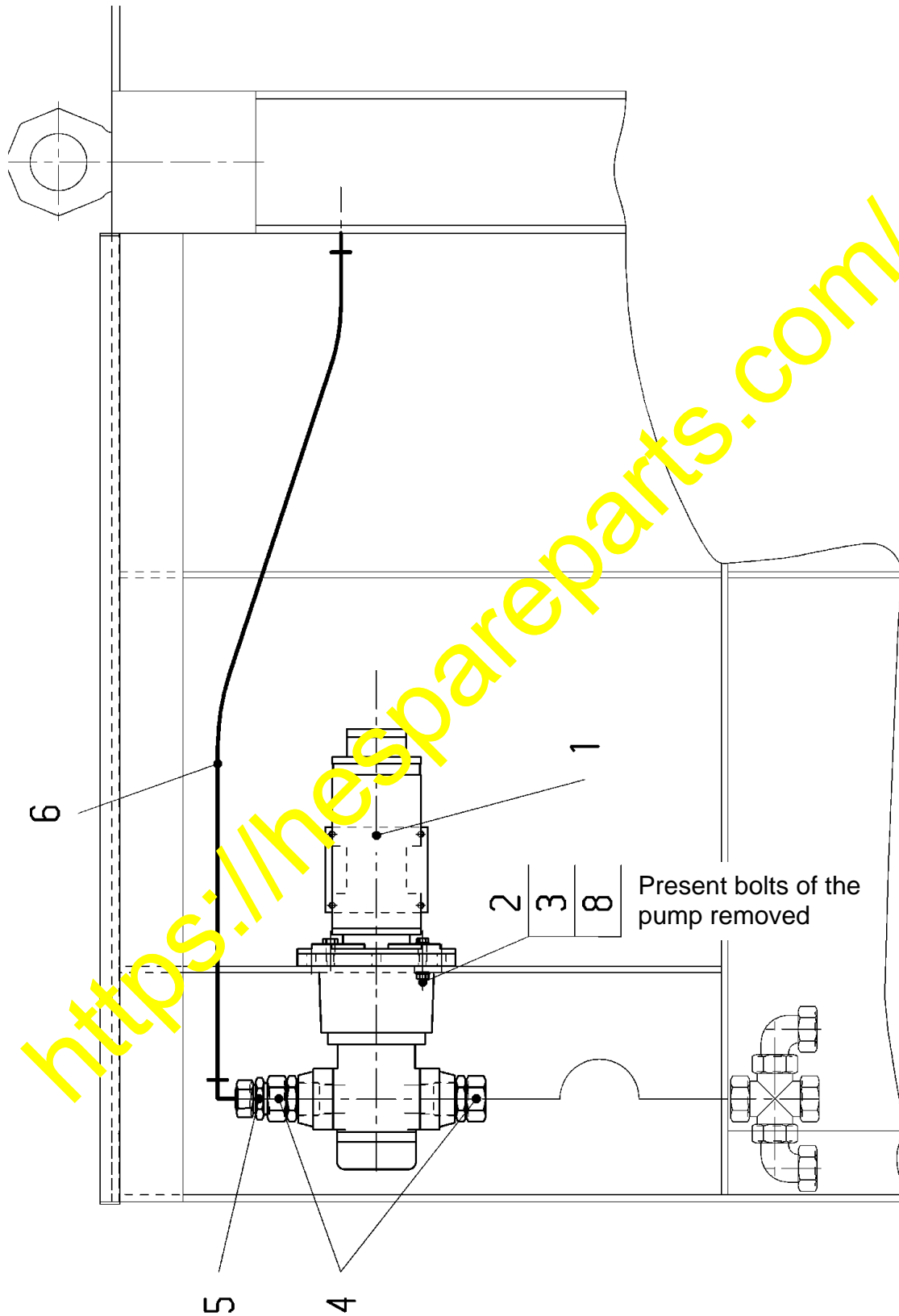
**5. Modification kit H 485; H 655; H 685; PC8000 (Part No. 793 302 73)
for Serial No. 12020 to 12037**

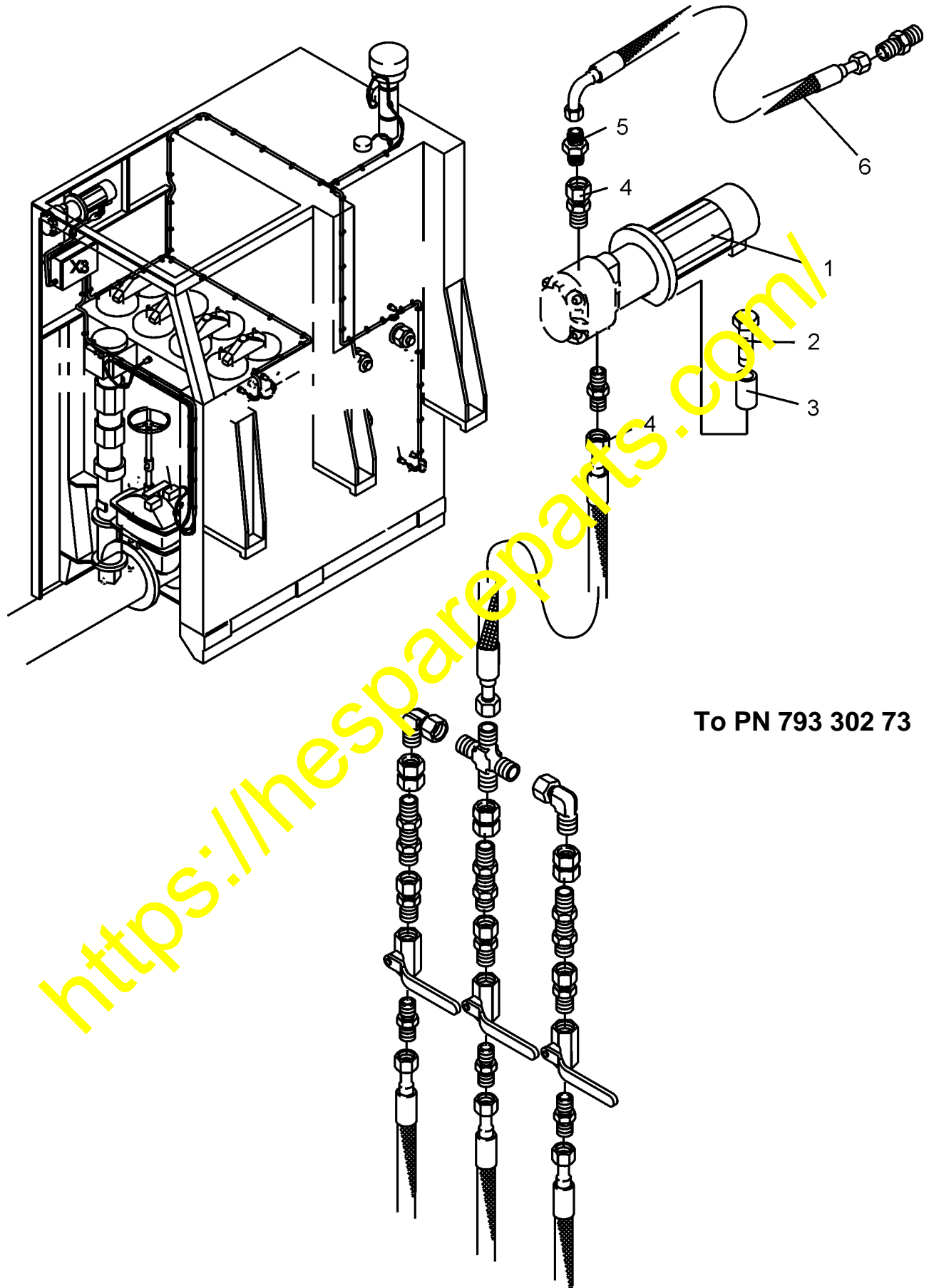
| Pos. | Number | Part no. | Name |
|------|--------|------------|-------------|
| 2 | 3 | 308 556 99 | Bolt |
| 3 | 3 | 340 507 99 | Washer |
| 4 | 2 | 374 460 99 | Socket |
| 5 | 1 | 576 471 40 | Union |
| 6 | 1 | 358 233 40 | Hose |
| 7.1 | 1 | 655 184 40 | Breaker 50A |
| 7.2 | 1 | 655 623 40 | Cable union |
| 7.3 | 1 | 921 578 40 | Harness |
| 8 | 3 | 334 599 99 | Nut |

* Electric parts for modification (793 302 73)
(included in the modification kits above)



H 485, H 655; H 685; PC8000
(SN 12020 – 12037)
Modification kit: 793 302 73





To PN 793 302 73