

**PARTS & SERVICE  
NEWS**

REF NO.	AT01044
DATE	May 14, 2001
(C)	Page 1 of 4

**SUBJECT:** REPAIR OF MUFFLER OF 6D125-1 ON D60-8 AND D70LE-8 TYPE ETC.

**PURPOSE:** To introduce modification procedures to repair when cracks are found with the muffler on 6D125-1 engines for models such as D60-8 Series and D70LE-8 Series

**APPLICATION:** Refer to page 4.

**FAILURE CODE:** A1T0HA

**DESCRIPTION:**

## 1. Introduction

When cracks are found with the muffler body on 6D125-1 engines for models such as D60-8 Series and D70LE-8 Series, replace the muffler with the improved part following the modification procedures outlined in this Service News.

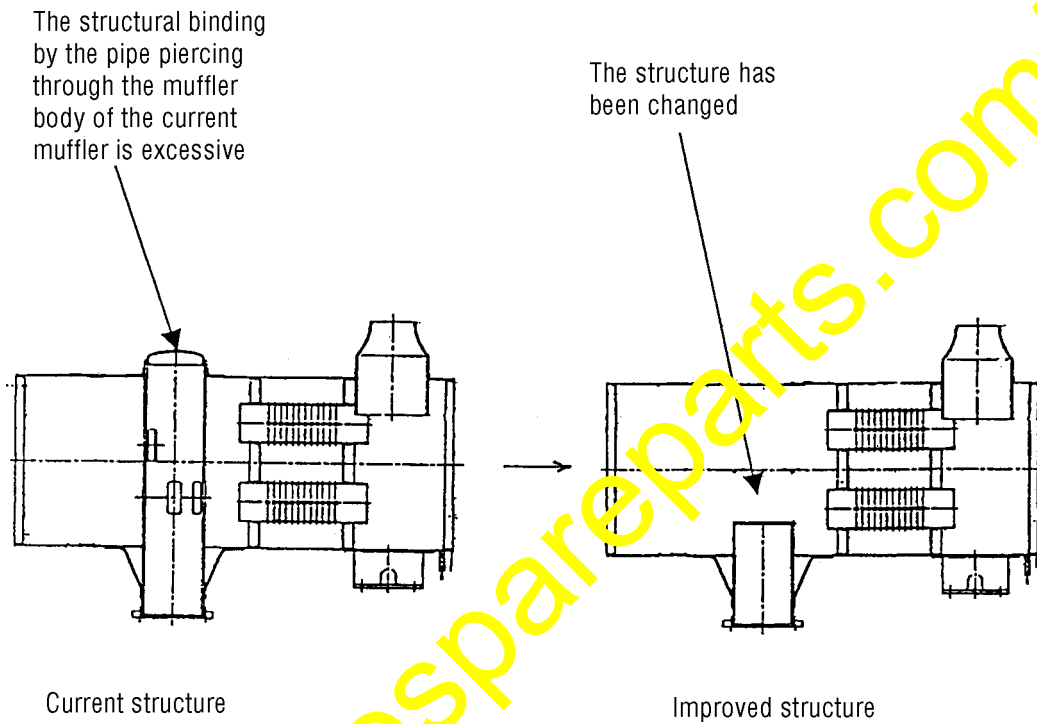
## 2. List of parts

Part No.	Part Name	Purpose of part	Q'ty	Remarks
6150-11-5513 (6150-11-5512)	Muffler (Muffler)	} Replacement	1 (1)	
6150-11-5522 (6150-11-5521)	Muffler (Muffler)		1 (1)	
6150-11-5532 (6150-11-5531)	Muffler (Muffler)		1 (1)	
6150-11-5541 (6150-11-5540)	Muffler (Muffler)		1 (1)	
6150-11-5710	Gasket		1	

### 3. Contents of the modification

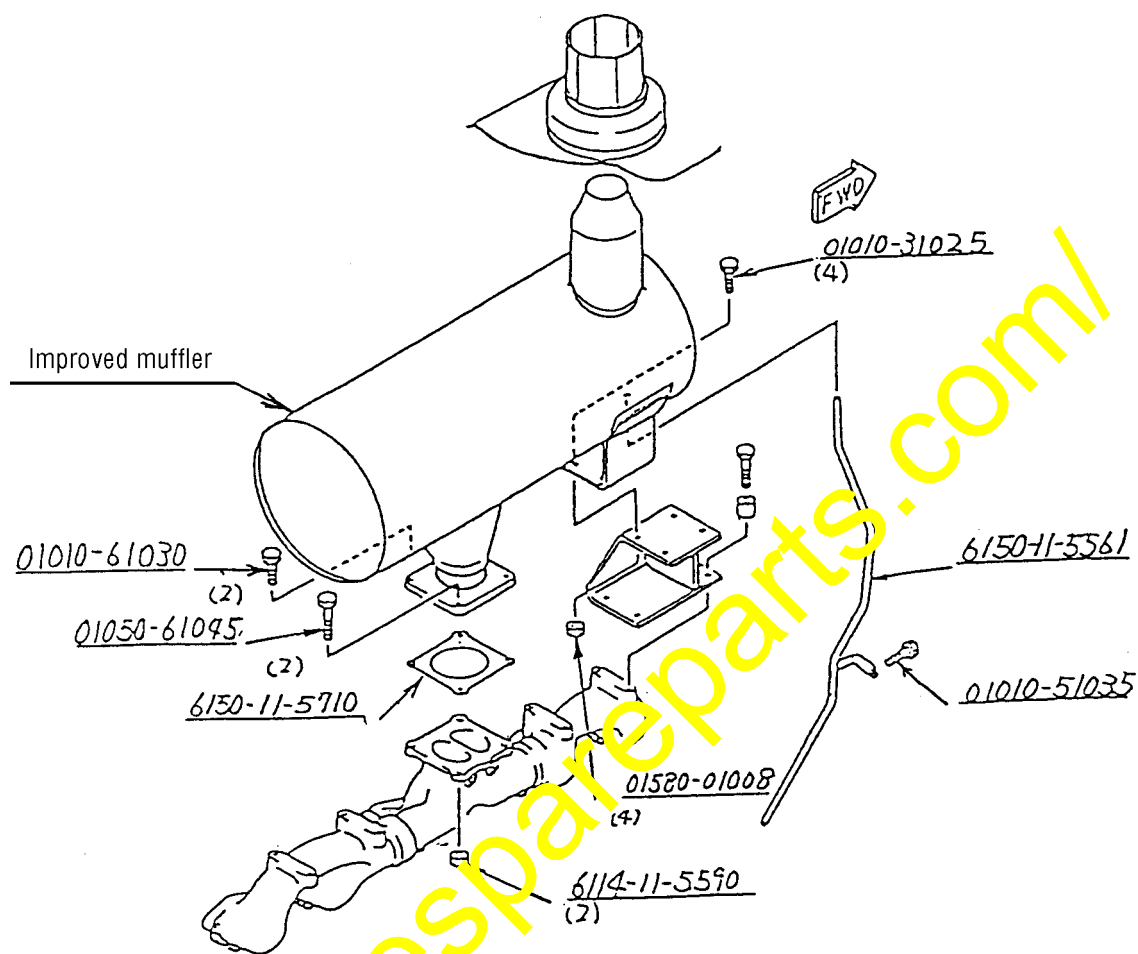
The structural binding by the pipe piercing through the muffler body of the current muffler is excessive and cracks can occur in the body.

We therefore shortened the length of the pipe piercing through the muffler body to improve the structure of the muffler body to a more flexible one, thus preventing occurrence of cracks.



4. Modification procedures

Replace the muffler referring to the Shop Manual.



Current part number  
(Part number change: 6150-11-5512 → New part number  
6150-11-5513)

No.	Machine models	Serial numbers of applicable machines			
		Already shipped machines		Factory shipment new machines	
		Engine numbers	Chassis numbers	Engine numbers	Chassis numbers
1	D60A-8	Up to #58975	Up to #45411	From the next production	From the next production
2	D60E-8	Up to #67625	Up to #47571	From the next production	From the next production
3	D65A-8	Up to #85188	Up to #46084	From the next production	From the next production
4	D65E-8	Up to #74290	Up to #45102	From the next production	From the next production
5					
6	D63E-1-A	Up to #69777	Up to #1370	From the next production	From the next production
7	D65E-8-D	Up to #74290	Up to #45102	From the next production	From the next production
8	D65P-8-C	Up to #52431	Up to #46458	From the next production	From the next production
9					
10	D58E-1	Up to #80914	Up to #82735	80915 and up	82736 and up
11	D58P-1	Up to #84793	Up to #81692	84794 and up	165001 and up
12	D53-17	Up to #86013	Up to #82750	86014 and up	82751 and up
13	D70LE-8	PDP production	—	PDP production	—
14	GD605A-3	Up to #21257		From the next production	From the next production
15	D65A-8K	Up to #85188	Up to #46084	From the next production	From the next production
16	6D125G3-1	Up to #29929	—	From the next production	From the next production
17	BE-GD605R-2	Up to #59816	—	From the next production	From the next production
18					

(Part number change: 6150-11-5521 → 6150-11-5532)

1	GD605A-5	Up to #86386	Up to #47102	86387 and up	4793 and up
2	GD625-1	Up to #71785	Up to #60153	71786 and up	60154 and up
3	GD625A-1B	Up to #71785	Up to #60153	71786 and up	60154 and up
4	GD623A-1	Up to #86381	Up to #30460	86513 and up	30462 and up
5	GD623A-1G	Up to #86381	Up to #30460	86513 and up	30462 and up
6	GD623A-DZ-1	Up to #83733	Up to #30460	86513 and up	30462 and up
7					

(Part number change: 6150-11-5521 → 6150-11-5522)

1	D60S-8	Up to #48207	Up to #45031	From the next production	From the next production
2					

(Part number change: 6150-11-5540 → 6150-11-5541)

1	D50-18	Up to #83247			
2	D58E-1	Up to #80914	Up to #82735	80915 and up	82736 and up
3	D58P-1	Up to #84793	Up to #81692	84794 and up	165001 and up
4	D53-17	Up to #86013	Up to #82750	86014 and up	82750 and up
5	D53P-18	Up to #85129	Up to #84217	85130 and up	84218 and up
6	D53A-18	Up to #86096	Up to #83261	86097 and up	83262 and up
7					