

PARTS & SERVICE NEWS

REF NO.	AT02055
DATE	Apr. 18, 2002

Page 1 of 4

SUBJECT: MODIFICATION PROCEDURE OF FUEL LABEL ON HD325, 405-6/
HM400-1

PURPOSE: To introduce replacement procedure for the fuel label on HD325-6,
HD405-6 and HM400-1 dump trucks
(Vehicles on which English version name plate is being applied)

APPLICATION: HD325-6 Dump Trucks, }
HD405-6 Dump Trucks, } Serial Nos. are shown on page 2.
HM400-1 Articulate Dump Trucks, }

FAILURE CODE: 9840PJ

DESCRIPTION:

1. Introduction

As there were inappropriate expressions in the text of the fuel label (English version) for the HD325-6, HD405-6 and HM400-1 dump trucks, replace the fuel label following the procedure being outlined in this Service News.

Serial numbers of the applicable vehicles (Refer to page 1.)

Already shipped vehicles

Model name	Serial numbers of the applicable vehicles
HD325-6 Total 27 vehicles	#6002 #6023 #6038 #6060 #6073 #6008 #6024 #6048 #6061 #6078 #6016 #6026 #6049 #6062 #6079 #6017 #6032 #6050 #6066 #6018 #6033 #6058 #6071 #6019 #6037 #6059 #6072
HD405-6 Total 5 vehicles	#2016 #2017 #2018 #2020 #2021
HM400-1 Total 16 vehicles	#1001 #1014 #1020 #1002 #1015 #1021 #1003 #1016 #1022 #1007 #1017 #1023 #1008 #1018 #1010 #1019

Already modified factory shipment vehicles

Model name	Serial numbers of the applicable vehicles
HD325-6	#6030 #6084 #6091 and after are already modified vehicles.
HD405-6	#1040 and after are already modified vehicles.
HM400-1	#1024 and after are already modified vehicles.

2. List of parts

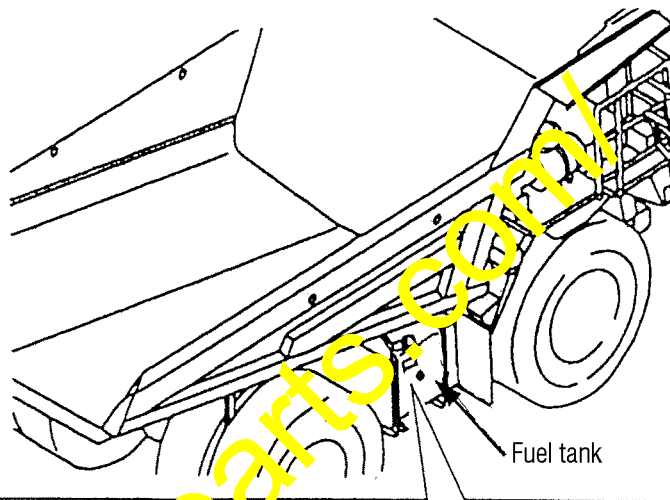
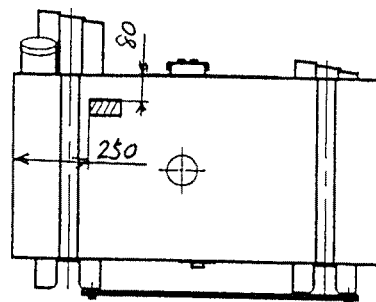
Part No.	Part Name	Purpose of part	Q'ty	Remarks
566-93-63631 (566-93-63630)	Plate (Plate)	Replacement	1 (1)	

3. Modification procedure

1) HD325-6 & HD405-6

Remove the current label (566-93-63630) being applied to the fuel tank and apply the new label (566-93-63631) to the same position.

Refer to the figure regarding the applying position of the new label.



(Current label)

NOTICE

- USE GAS OIL (SPECIFIED FUEL)
- AVOID USING KEROSENE.
- EVACUATE WATER FROM THE TANK EVERY DAY BEFORE STARTING THE OPERATION.
- REFER TO THE INSTRUCTION MANUAL FOR SPECIFIED FUEL.

566-93-63630

566-93-63630

↓

(New label)

NOTICE

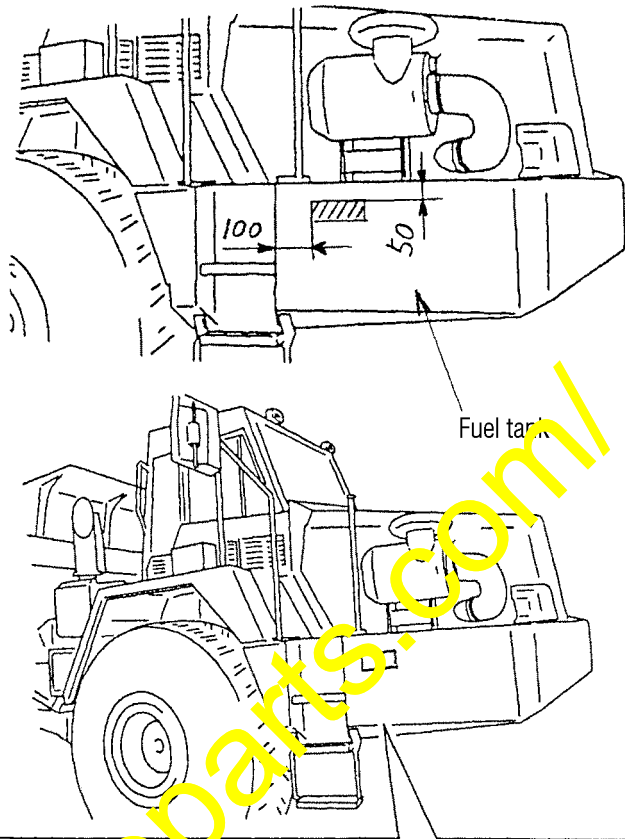
- USE DIESEL FUEL (SPECIFIED FUEL)
- AVOID USING KEROSENE.
- DRAIN MOISTURE AND SEDIMENT FROM THE TANK DAILY BEFORE STARTING THE OPERATION.
- REFER TO THE OPERATION & MAINTENANCE MANUAL FOR SPECIFIED FUEL.

566-93-63631

566-93-63631

2) HM400-1

Remove the current label (566-93-63630) being applied to the fuel tank and apply the new label (566-93-63631) to the same position.



(Current label)

566-93-63630

NOTICE

- USE GAS OIL (SPECIFIED FUEL)
- AVOID USING KEROSENE.
- EVACUATE WATER FROM THE TANK EVERY DAY BEFORE STARTING THE OPERATION.
- REFER TO THE INSTRUCTION MANUAL FOR SPECIFIED FUEL.

566-93-63630

↓

(New label)

566-93-63631

NOTICE

- USE DIESEL FUEL (SPECIFIED FUEL)
- AVOID USING KEROSENE.
- DRAIN MOISTURE AND SEDIMENT FROM THE TANK DAILY BEFORE STARTING THE OPERATION.
- REFER TO THE OPERATION & MAINTENANCE MANUAL FOR SPECIFIED FUEL.

566-93-63631