

**PARTS & SERVICE  
NEWS**

REF NO.	AT03010
DATE	Feb. 19, 2003
(C)	Page 1 of 4

**SUBJECT:** ELIMINATION OF AIR INTAKE HOSE INTERFERENCE ON HD465-7/  
HD605-7

**PURPOSE:** To introduce modification procedure to eliminate the interference of the air intake hose for the engine with the sound absorbing material holding plate on HD465-7 and HD605-7 dump trucks

**APPLICATION:** HD465-7 Dump Trucks, Serial Nos. 7001 thru 7058, 7061 thru 7069,  
7071 thru 7073  
HD605-7 Dump Trucks, Serial Nos. 7001 thru 7024, 7027 thru 7030

**FAILURE CODE:** A1M1FA

**DESCRIPTION:**

## 1. Introduction

It has been found that the air intake hose for the engine interferes with the sound absorbing material holding plate positioned behind the engine hood on the HD465-7 and HD605-7 dump trucks.

If these vehicles are kept in use without necessary repair for the aforementioned interference, the air intake hose may be broken and the engine sucks dust and other foreign substance. Therefore, make the modification being introduced in this Service News to eliminate the interference.

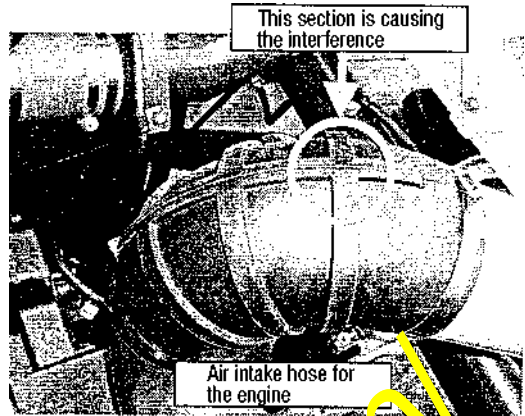
## 2. List of parts

Part No.	Part Name	Purpose of part	Q'ty	Remarks
569-99-83220 (569-54-82681)	Plate (Plate)	Addition Rework	1 (1)	Parts necessary for this modification

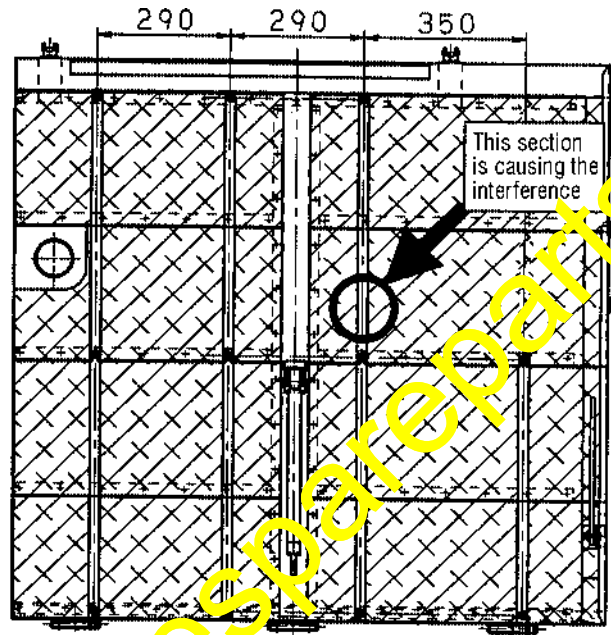
### 3. Details of the modification

Making the improvement described below, secure necessary space between the air intake hose for the engine and the sound absorbing material holding plate positioned behind the engine hood.

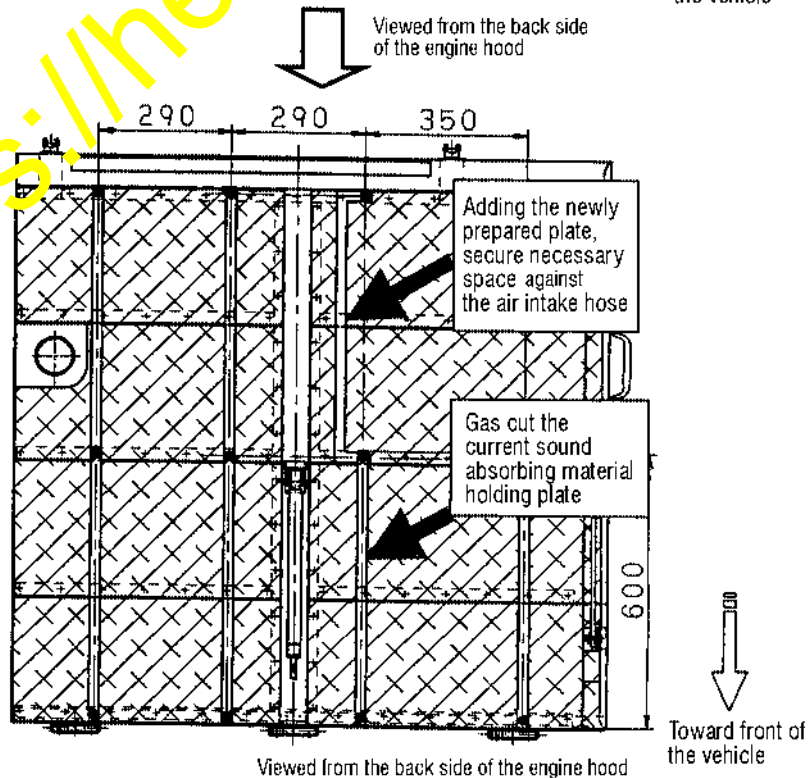
- Details of the modification of the engine hood  
Gas cut the current sound absorbing material holding plate which is causing interference and add the newly prepared plate to secure necessary space against the air intake hose.



Current state



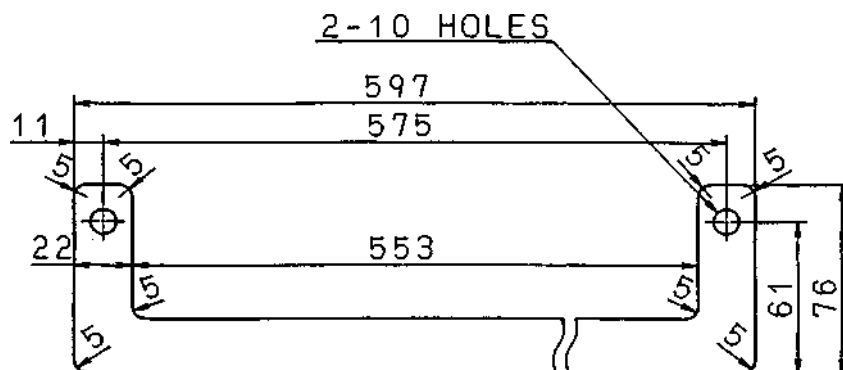
Improved state



## 4. Modification procedure

## 4-1. Preparation of the necessary parts

Prepare the plate referring to Fig. 1 below.



Part number: 569-99-83220

Material: SPHC or equivalent material

Sheet thickness: 2.3 mm

Q'ty: 1 pce./unit

Fig. 1 Additional plate

## 4-2. Preparations before starting the modification work

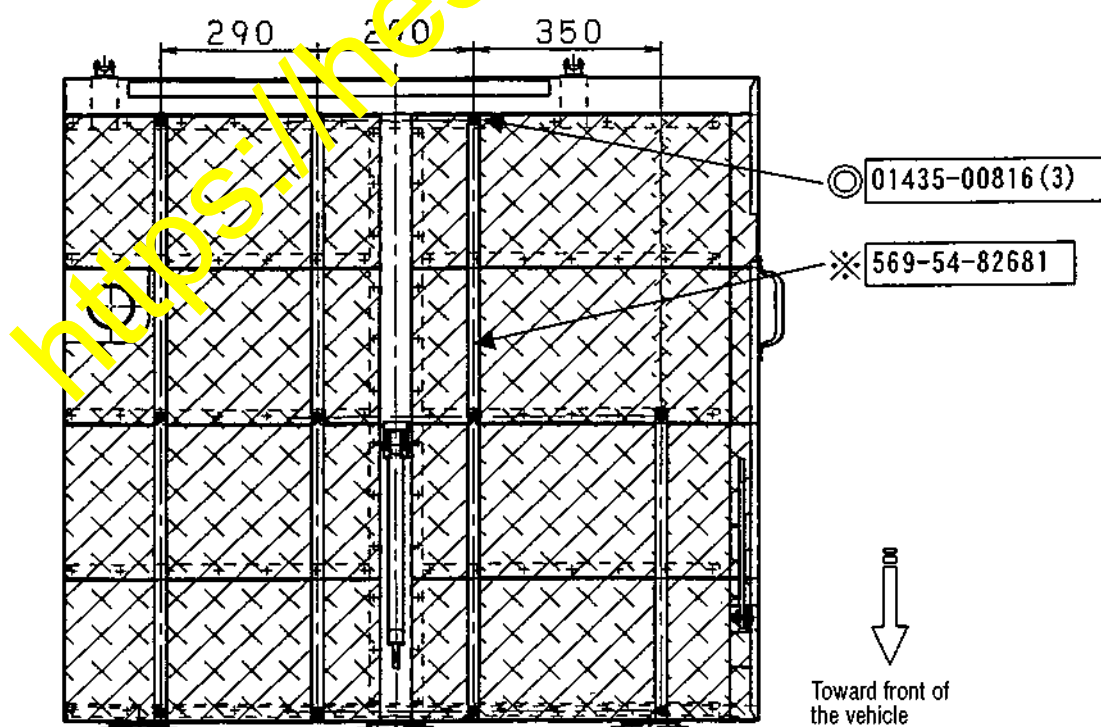
- 1) Park the vehicle on a flat place and apply the parking brake.
- 2) Stop the engine.
- 3) Apply chocks.
- 4) When carrying out this modification work, carefully read the Operation and Maintenance Manual.

## 4-3. Removal of the parts

Remove the parts marked  $\odot$  and  $\ast$  in the drawing. (Refer to Fig. 2.)

Since the parts marked  $\odot$  are being reused when installing the improved parts, store them carefully.

Reuse the parts marked  $\ast$  after additional working.



Viewed from the back side of the engine hood

Fig. 2

4-4. Additional working for the parts

Make additional working for the removed plate (569-54-82681) as per the instructions given in Fig. 3 below.

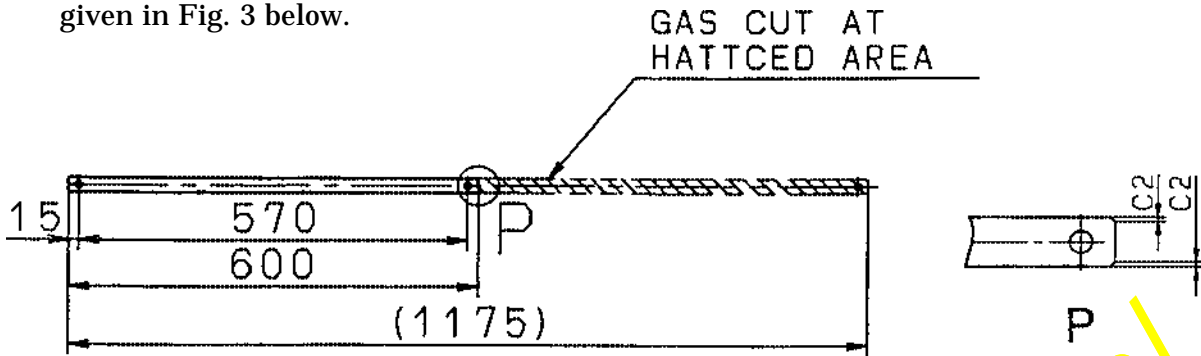


Fig. 3 Additional working drawing

4-5. Installation procedure for the improved parts

Install the improved parts as per the procedure being described below. (Refer to Fig. 4.)

The parts marked © are reusing parts, the parts marked ☆ are additional part and additionally worked part.

- 1) Install the plate (569-99-83220) and the additionally worked plate (569-54-82681) onto the engine hood with the bolts (01435-00816).
- 2) After finishing the installation work, close the engine hood and make sure that the sound absorbing material holding plate does not interfere with the intake hose for the engine.

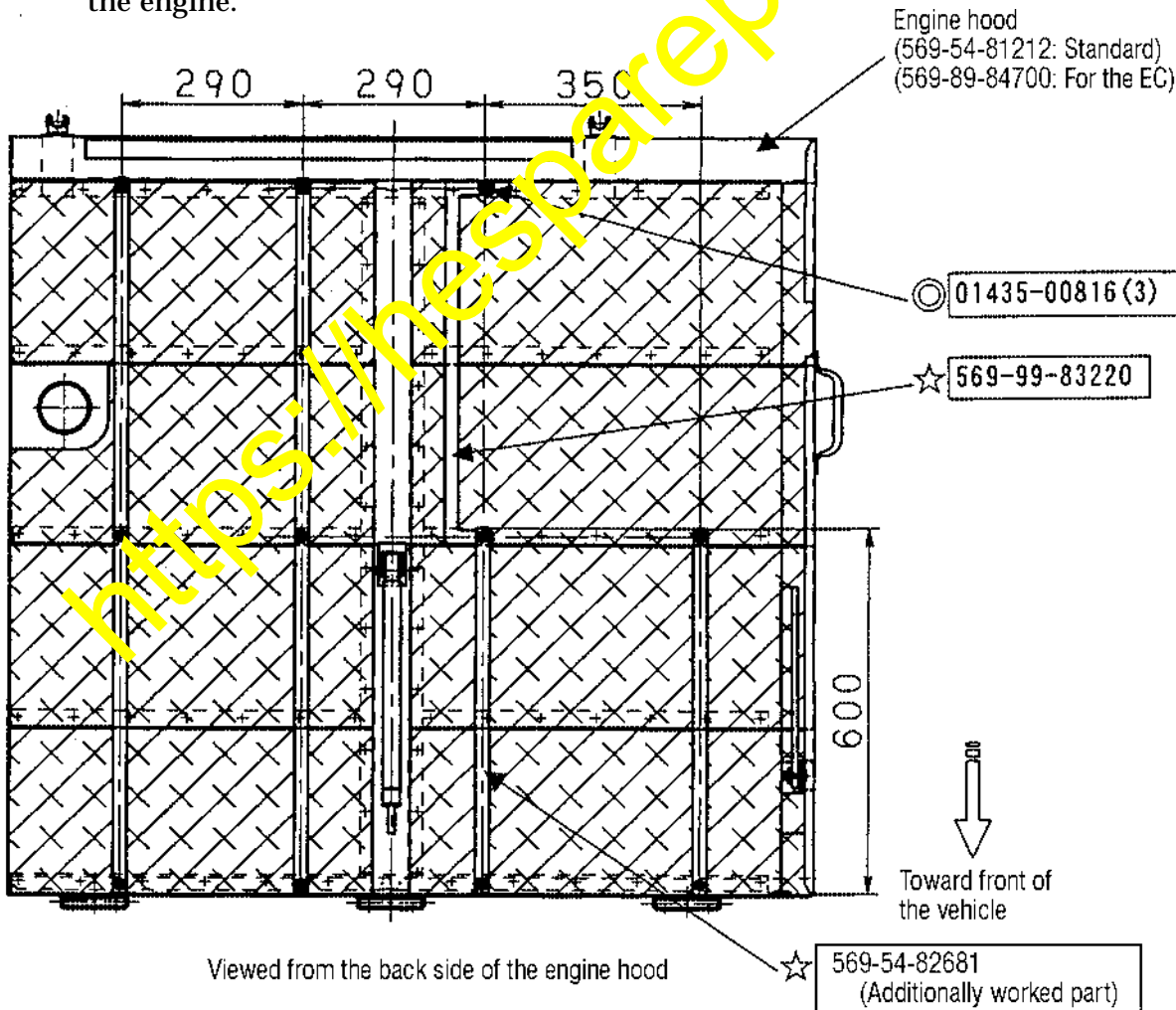


Fig. 4