

PARTS & SERVICE NEWS

REF NO.	AT03173
DATE	Sep. 12, 2003
(C) Page 1 of 2	

SUBJECT: IMPROVED BEARING OF TRANSFER INPUT FOR RELIABILITY ON WA1200-3

PURPOSE: To introduce improved input transfer bearing with increased reliability for use on WA1200-3 wheel loaders

APPLICATION: WA1200-3 Wheel Loaders, Serial Nos. 50001 thru 50016

FAILURE CODE: 1329FF

DESCRIPTION:

1. Introduction

This Service News will introduce improved taper roller bearing being used for the input transfer on the WA1200-3 wheel loaders which has been featuring increased reliability.

This new bearing has improved for seizure resistance characteristics as compared with the current parts when the oil film is interrupted.

2. List of parts

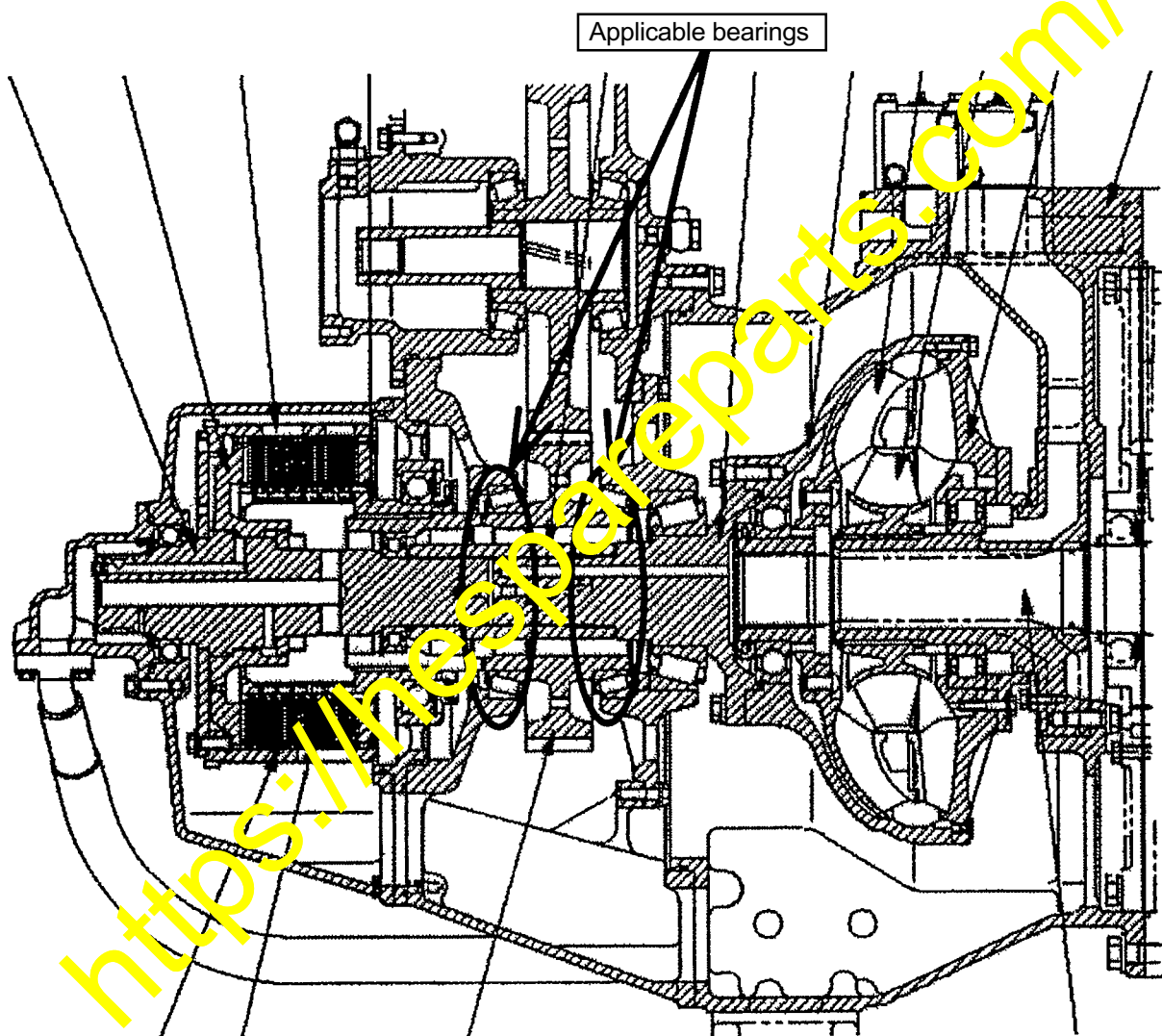
Part No.	Part Name	Qty	Remarks
42C-13-19210 (421-22-12840)	Bearing (Bearing)	2 (2)	

3. Details of the improvement

The internal structure of the bearing has been fortified and the seizure resistance characteristics when the oil film is interrupted have been improved.

		Fortified bearing	Current bearing
Part No.		42C-13-19210	421-22-12840
Stamping	Outer ring	4T-JHM534110STPK	4T-JHM534110PK
	Inner ring	4T-JHM534149STPK	4T-JHM534149PK

("ST" has been added to the stampings on both of the inner ring and outer ring.)



4. Modification procedure

(1) Replace the bearings referring to the Chapter "Disassembly and Assembly" in the Shop Manual.

When replacing the bearings, carry out the pre-load adjustment for the bearing referring to the Shop Manual.

(2) Before replacing the bearings, check the stamping on the new bearings as per the description given above.