

# PARTS & SERVICE NEWS

REF NO.	<b>AT03243</b>
DATE	<b>Jul. 9, 2004</b>

(C) Page 1 of 7

**SUBJECT:** IMPROVED PARTS FOR STARTER MALFUNCTION (SAFETY RELAY MALFUNCTION)

**PURPOSE:** To introduce improved parts (safety relay) to prevent the malfunction of the starting motor  
(Applicable to all the machine models)

**APPLICATION:** Refer to page 5 thru 7

**FAILURE CODE:** ABXRMC

**DESCRIPTION:**

1. Introduction

On the machines equipped with Nikko Electric's starting motor when malfunction of the starting motor (rotation failure of the starting motor), make the modification being introduced in this Service News to repair the trouble.

<https://hespareparts.com/>

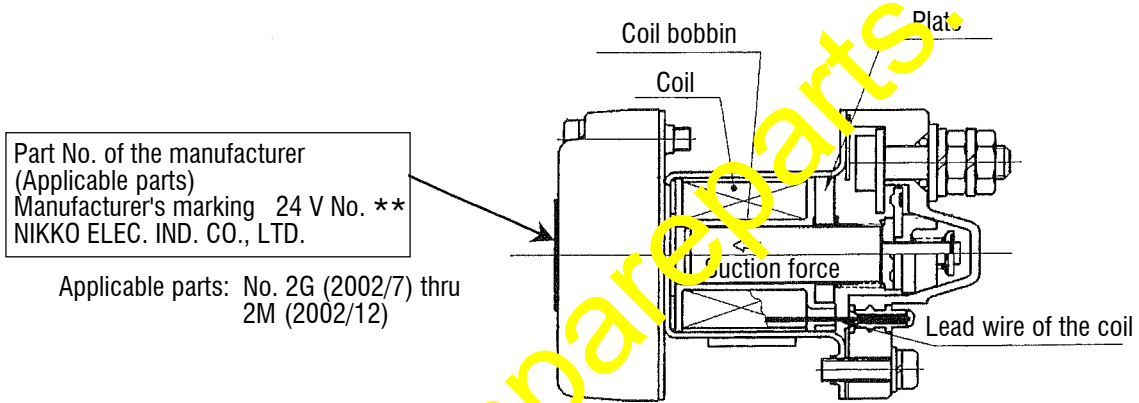
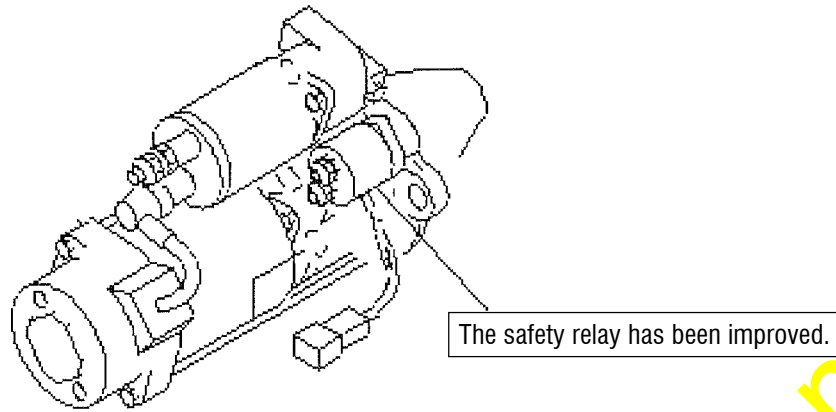
## 2. List of parts

Part No.	Part Name	Purpose of part	Q'ty	Remarks	
0-25000-8501 (0-25000-8500)	Safety relay	)	1		
0-25000-8890 (0-25000-8111)	Safety relay		1		
0-25000-8860 (0-25000-6953)	Safety relay		1		
0-25000-6903 (0-25000-6902)	Safety relay		1		
0-25000-6443 (0-25000-6442)	Safety relay		1		
0-25000-8640 (0-25000-6563)	Safety relay		1		
0-25000-6873 (0-25000-6872)	Safety relay		1		
0-25000-8103 (0-25000-8102)	Safety relay		1		
0-25000-6963 (0-25000-6562)	Safety relay		1		
0-25000-7453 (0-25000-7452)	Safety relay		1		
0-25000-7283 (0-25000-7282)	Safety relay		Replacement	1	
0-25000-8501 (0-25000-8500)	Safety relay		1		
0-25000-8800 (0-25000-6522)	Safety relay		1		
0-25000-8341 (0-25000-8340)	Safety relay		1		
0-25000-8230 (0-25000-7702)	Safety relay		1		
0-25000-7463 (0-25000-7462)	Safety relay		1		
0-25000-7323 (0-25000-7322)	Safety relay		1		
0-25000-7463 (0-25000-7462)	Safety relay		1		
0-25000-7873 (0-25000-7872)	Safety relay		1		
0-25000-7883 (0-25000-7882)	Safety relay		)	1	

Part No.	Part Name	Purpose of part	Q'ty	Remarks	
0-25000-9030 (0-25000-7322)	Safety relay	}	1		
0-25000-8032 (0-25000-8031)	Safety relay		1		
0-25000-8332 (0-25000-8331)	Safety relay		1		
0-25000-7972 (0-25000-7971)	Safety relay		1		
0-25000-8521 (0-25000-8520)	Safety relay		Replacement		1
0-25000-8421 (0-25000-8420)	Safety relay		1		
0-25000-8282 (0-25000-8281)	Safety relay		1		
0-25000-8332 (0-25000-8281)	Safety relay		1		
0-25000-8521 (0-25000-8520)	Safety relay		1		

<https://hespareparts.com/>

### 3. Details of the improvement



In order to prevent occurrence of looseness of the coil which may cause rotation failure of the starting motor, the press-fitting method for the plate has been modified.

When carrying out this modification to replace the safety relay, refer to the Shop Manual.

## 4. Construction machinery - 1

Machine model	Applicable starting motor	Applicable safety relay	Improved safety relay	Serial No. of the applicable engine	Q'ty	Serial No. of the applicable machine	
						Machines in the field	Machines w/ improved parts shipped from factory
GD510R-JK1	6008134440	0-25000-8500	0-25000-8501	00169398 thru 00169507	20	—	—
GD511R-1V1	6008133321	0-25000-6953	0-25000-8860	00169407 thru 00169512	82	—	—
GD611A-1V1	6008133391	0-25000-6902	0-25000-6903	00122125 thru 00122146	9	up to #10674	#10675 and up
GD623A-1	6008133631	0-25000-8102	0-25000-8103	00089509 thru 00090141	5	up to #30474	#30475 and up
GD661A-1V1	6008133391	0-25000-6902	0-25000-6903	00122131 thru 00122142	4	up to #10720	#10721 and up
GD705A-4	6008134532	0-25000-6522	0-25000-6523	00089565 thru 00090111	57	up to #13159	#13160 and up
GD705A-4AE	6008136611	0-25000-7322	0-25000-9030	00089478 thru 00089997	25	—	—
GC380F-2	6008139311	0-25000-8281	0-25000-8282	00030343 thru 00030502	5	up to #12073	#12080 and up
GH320-2-E	6008134671	0-25000-8340	0-25000-8341	00089677 thru 00089925	6	up to #12070	#12071 and up
HV3000-1	6008139311	0-25000-8281	0-25000-8282	00030089 thru 00030563	4	up to #1010	#1011 and up
LW250-5	6008136621	0-25000-8031	0-25000-8032	00089481 thru 00089651	4	up to #50438	#50439 and up
LW500-1	6008139311	0-25000-8281	0-25000-8282	00030344	1	#10054	#10055 and up
PW100-3-V1	6008133321	0-25000-6953	0-25000-8860	00169406 thru 00169433	2	up to #5528	#5529 and up
PW200-1*	6008134121	0-25000-6953	0-25000-8860	00122129 thru 00122144	5	up to #10200	#10201 and up
WA300-3*	6008136411	0-25000-7872	0-25000-7873	00036497 thru 00036798	52	up to #55352	#55353 and up
WA350-3*	6008136411	0-25000-7872	0-25000-7873	00036639 thru 00036710	4	up to #55267	#55268 and up
WA380-3	6008136411	0-25000-7872	0-25000-7873	00036572 thru 00036777	10	up to #54193	#54194 and up
WA420-3	6008136411	0-25000-7872	0-25000-7873	00036504 thru 00036764	29	up to #54293	#54294 and up
WA430-5	6008139321	0-25000-8281	0-25000-8332	000310828 thru 00311219	12	up to #60026	#60027 and up
WA450-5E	6008136631	0-25000-8331	0-25000-8332	00310822 thru 00311232	28	up to A36132	A36133 and up
WA450-AD-5	6008136631	0-25000-8331	0-25000-8332	00310838 thru 00311136	46	—	—
WA470-3	6008136611	0-25000-7322	0-25000-9030	00089424 thru 00090180	47	up to #54273	#54274 and up
WA470-DZ-3	6008136611	0-25000-7322	0-25000-9030	00089609 thru 00089851	6	—	—
WA470-HH-5	6008136631	0-25000-8331	0-25000-8332	00310841 thru 00311201	185	—	—
WA480-5	6008136631	0-25000-8331	0-25000-8332	00310827 thru 00311184	4	up to A37037	A37038 and up
WA480-AD-5	6008136631	0-25000-8331	0-25000-8332	00311058 thru 00311166	15	—	—
WA480-HH-5	6008136631	0-25000-8331	0-25000-8332	00310816 thru 00311238	71	—	—
WA500-3	6008139311	0-25000-8281	0-25000-8282	00030261 thru 00030357	6	—	—
WA500-3E	6008139311	0-25000-8281	0-25000-8332	00111078 thru 00111525	30	up to #52107	#52108 and up
WA500-DZ-3	6008139311	0-25000-8281	0-25000-8282	00030374 thru 00030467	5	—	—
WA500-HH-3	6008139321	0-25000-8281	0-25000-8332	00111157 thru 00111487	65	—	—
WA70-V1	6008133130	0-25000-8500	0-25000-8501	00207119 thru 00207124	6	—	—

850

## 4. Construction machinery - 2

Machine model	Applicable starting motor	Applicable safety relay	Improved safety relay	Serial No. of the applicable engine	Qty	Serial No. of the applicable machine	
						Machines in the field	Machines w/ improved parts shipped from factory
BR200T-1	6008134671	0-25000-8340	0-25000-8341	00089495 thru 00090005	10	up to #1305	#1306 and up
BR550JG-1	6008139311	0-25000-8281	0-25000-8282	00210650 thru 00210750	6	up to #1049	#1050 and up
CS210-1-E	6008134671	0-25000-8340	0-25000-8341	00089608 thru 00089848	2		
D155AX-3-E	6008139311	0-25000-8281	0-25000-8282	00030263 thru 00030470	8		
D155AX-5	6008139311	0-25000-8281	0-25000-8282	00030486	1		
D155AX-5A	6008129321	0-25000-8281	0-25000-8332	00111163 thru 00111524	57	up to #75226	#75227 and up
D275A. AX-5	6008139321	0-25000-8281	0-25000-8332	00111118 thru 00111533	11	up to #20032	#20033 and up
D275A-2-E	6008137112	0-25000-7971	0-25000-7972	00021910 thru 00022012	7	up to #10454	#10455 and up
D375A-5	6008137151	0-25000-8520	0-25000-8521	00310235 thru 00310565	66	up to #18123	#18124 and up
D475A-3MC	6008134932	0-25000-7322	0-25000-7323	00013156 thru 00013263	9	up to #10746	#10747 and up
D53-17-E	6008137611	0-25000-8420	0-25000-8421	00089640 00013279	10		
D65E-12-E	6008136631	0-25000-8331	0-25000-8332	00089637 thru 00090115	18	up to #65451	#65452 and up
D65EX-12-E	6008139321	0-25000-8281	0-25000-8332	00089404 thru 00090156	68	up to #65451	#65456 and up
D70LE-JK-8	6008134532	0-25000-6522	0-25000-6523	00089744 thru 00089980	33		
D85-21-E	6008137112	0-25000-7971	0-25000-7972	00089727 thru 00090035	2		
D85A-21-E	6008137112	0-25000-7971	0-25000-7972	00088341 thru 00089960	12	up to #37666	#37667 and up
D85A-2B-E	6008137112	0-25000-7971	0-25000-7972	00089578 thru 00089994	5		
D85ESS2A-E	6008136631	0-25000-8331	0-25000-8332	00089519 thru 00090133	10	up to #4117	#4118 and up
D85ESS-JK2	6008136631	0-25000-8331	0-25000-8332	00089570 thru 00089993	18		
HD205-3	6008133631	0-25000-8102	0-25000-8103	00089536 thru 00089937	2		
HD255-5	6008136611	0-25000-7322	0-25000-9030	00089491 thru 00090132	20	up to #1447	#1448 and up
HD325-6-EE	6008139321	0-25000-8281	0-25000-8332	00111170 thru 00111545	63	up to #6152	#6153 and up
HD465-5	6008137112	0-25000-7971	0-25000-7972	00021911 thru 00022004	7		
HD465-5-E	6008134932	0-25000-7322	0-25000-7323	00021913 thru 00022000	5		
HD465-7	6008137151	0-25000-8520	0-25000-8521	00310318 00310564	63	up to #7072	#7073 and up
HD785-5E	6008134932	0-25000-7322	0-25000-7323	00013193 thru 00013270	41	up to #4378	#4379 and up
HD785-B-3M	6008134932	0-25000-7322	0-25000-7323	00013257	1		
HD785-JK-5	6008134932	0-25000-7322	0-25000-7323	00013211 thru 00013213	3		
HM300-1	6008136631	0-25000-8331	0-25000-8332	00311103 thru 00311210	4	up to #1018	#1019 and up
HM350-1	6008139321	0-25000-8281	0-25000-8332	00111177 thru 00111535	15	up to #1043	#1044 and up
HM400-1	6008139321	0-25000-8281	0-25000-8332	00111172 thru 00111519	22	up to #1070	#1071 and up
PC1100-6	6008134932	0-25000-7322	0-25000-7323	00021993 00022001	2	up to #21993	#21994 and up
PC1250-7	6008139510	0-25000-8520	0-25000-8521	00310332 thru 00310553	26	up to #20017	#20018 and up
PC1800E-6F	6008139321	0-25000-8281	0-25000-8332	00111174 thru 00111528	9	up to #11011	#11012 and up
PC1800E-6R	6008139321	0-25000-8281	0-25000-8332	00111175 thru 00111529	8	up to #11011	#11012 and up
PC220-5*	6008134423	0-25000-7282	0-25000-7283	00169510	1		
PC300-6	6008136411	0-25000-7872	0-25000-7873	00036601	1		
PC300-DZ-6	6008136411	0-25000-7872	0-25000-7873	00036506 thru 00036719	46		
PC300-JK-6	6008136411	0-25000-7872	0-25000-7873	00036627	1		
PC400-6	6008134671	0-25000-8340	0-25000-8341	00089296 thru 00090003	59	up to #32718	#32719 and up
PC400-6E	6008139311	0-25000-8281	0-25000-8282	00210673 thru 00210763	8		
PC400AC-6E	6008139311	0-25000-8281	0-25000-8282	00210644 thru 00210754	55		
PC400-DZ-6	6008134671	0-25000-8340	0-25000-8341	00089545 thru 00089967	12		
PC400KU-6E	6008139311	0-25000-8281	0-25000-8282	00210646 thru 00210762	51		
PC600-6	6008139321	0-25000-8281	0-25000-8332	00111159 thru 00111489	18	up to #11107	#11108 and up
PC600-KU-6	6008139321	0-25000-8281	0-25000-8332	00111191 thru 00111470	18		
PC750-6E	6008139321	0-25000-8281	0-25000-8332	00111176 thru 00111531	26	up to #11040	#11041 and up
PC750-KU6E	6008139321	0-25000-8281	0-25000-8332	00111168 thru 00111480	14		
WA600-3	6008137112	0-25000-7971	0-25000-7972	00021909 thru 00022002	16	up to #50417	#50418 and up
WA600-3E	6008137121	0-25000-7971	0-25000-7972	00310330 thru 00310572	15	up to #52058	#52058 and up
WA600-AC-3	6008137121	0-25000-7971	0-25000-7972	00310211 thru 00310548	12		
WA700-1	6008133711	0-25000-6522	0-25000-6963	00021924 thru 00021925	2		
WA700-3E	6008137121	0-25000-7971	0-25000-7972	00310448 thru 00310471	2	up to #51003	#51004 and up
WA800-3	6008134932	0-25000-7322	0-25000-7323	00013223 thru 00013253	4	up to #50033	#50034 and up
WA900-3	6008134932	0-25000-7322	0-25000-7323	00013243	1	up to #50027	#50028 and up
WD600-3	6008137121	0-25000-7971	0-25000-7972	00310535 thru 00310536	2	up to #50002	#50003 and up

## 5. For shipment to JR

Engine model	Applicable starting motor	Applicable safety relay	Improved safety relay	Serial No. of the applicable engine	Qty
JR125-M/C	6008134944	0-25000-7372	0-25000-7373	00089512 thru 00090114	18

18

## 6. O.E.M. shipment models

Engine model	Applicable starting motor	Applicable safety relay	Improved safety relay	Serial No. of the applicable engine	Qty
DCA150SPK	6008136421	0-25000-7882	0-25000-7883	00036502 thru 00036778	19
DCA150SPKE	6008136411	0-25000-7872	0-25000-7873	00036516 thru 00036658	26
DCA180SPK	6008136421	0-25000-7882	0-25000-7883	00036505 thru 00039701	20
DCA220SPK	6008133261	0-25000-8111	0-25000-8890	00089635 thru 00090347	6
DCA220SPKE	6008136611	0-25000-7322	0-25000-9030	00089580 thru 00089964	16
DCA275SPK	6008133531	0-25000-6563	0-25000-8640	00089511 thru 00090031	6
DCA300SPKE	6008136611	0-25000-7322	0-25000-9030	00089582 thru 00090039	25
DCA400SPK	6008139311	0-25000-8281	0-25000-8282	00030415 thru 00030441	6
DSG-250	6008133261	0-25000-8111	0-25000-8890	00089504 thru 00090080	3
DSG725	6008134932	0-25000-7322	0-25000-7323	00013246 thru 00013269	5
NISSHA	6008133531	0-25000-6563	0-25000-8640	00089466 thru 00089830	5
NTT-RR-TAG	6008133531	0-25000-6563	0-25000-8640	00090032 thru 00089903	2
NTT-SU-B	6008134532	0-25000-6522	0-25000-6523	00030274 thru 00030447	7
NTT-SU-NAG	6008133531	0-25000-6563	0-25000-8640	00089715 thru 00089746	2

148

## 7. Power generator spec. models

Engine model	Applicable starting motor	Applicable safety relay	Improved safety relay	Serial No. of the applicable engine	Qty
12V140-G2	6008133622	0-25000-6872	0-25000-6873	00013188 thru 00013230	3
A12V140G21	6008133622	0-25000-6872	0-25000-6873	00013239	1
J6D140E-KC	6008136611	0-25000-7322	0-25000-9030	00030468	1
S125-G2-2	6008136611	0-25000-7322	0-25000-9030	00089579 thru 00089764	3
SA125-G2-2	6008136611	0-25000-7322	0-25000-9030	00089508 thru 00090015	24
SA140A-G2	6008134532	0-25000-6522	0-25000-6523	00030269 thru 00030386	6
SA6D125-G1	6008133261	0-25000-8111	0-25000-8890	00090078	1
SA6D140AGD	6008134532	0-25000-6522	0-25000-6523	00030271 thru 00030485	22
SA6D140AGN	6008134532	0-25000-6522	0-25000-6523	00030293 thru 00030388	4
SA6D170AGN	6008133531	0-25000-6442	0-25000-6443	00021873 thru 00022022	17
SAA6D125G1	6008136611	0-25000-7322	0-25000-9030	00089496 thru 00090013	68
SAAV140-G3	6008133622	0-25000-6872	0-25000-6873	00013189 thru 00013267	13
TKY-SA140A	6008134532	0-25000-6522	0-25000-6523	00030313 thru 00030396	4

167

## 8. Marine spec. models

Engine model	Applicable starting motor	Applicable safety relay	Improved safety relay	Serial No. of the applicable engine	Qty
6M108A-1	6008134361	0-25000-7452	0-25000-7453	00021750 thru 00021758	9
6M108S-1	6008134361	0-25000-7452	0-25000-7453	00010017 thru 00010020	4
6M117A-3	6008134361	0-25000-7452	0-25000-7453	00010051	1
6M122A-1	6008134361	0-25000-7452	0-25000-7453	00010247 thru 00010267	21
6M122B-1	6008134361	0-25000-7452	0-25000-7453	00010045 thru 00010048	4
6M125A-2	6008134361	0-25000-7452	0-25000-7453	00010094 thru 00010108	15
6M125A-3	6008134361	0-25000-7452	0-25000-7453	00010100 thru 00010101	2
6M137A-1	6008134981	0-25000-7462	0-25000-7463	00010124 thru 00010138	15
6M137B-1	6008134981	0-25000-7462	0-25000-7463	00010040 thru 00010043	4
6M140A-2	6008134781	0-25000-7462	0-25000-7463	00022298 thru 00022305	8
6M140A-3	6008134981	0-25000-7462	0-25000-7463	00010210 thru 00010212	3
6M140A-5	6008134981	0-25000-7462	0-25000-7463	00010048 thru 00010060	13
6M170A-2	6008134771	0-25000-7702	0-25000-8830	00010052 thru 00010054	3