

PARTS & SERVICE NEWS

REF NO.	AT04007
DATE	Feb. 12, 2004
(C) Page 1 of 8	

SUBJECT: MODIFICATION OF STEERING AND BRAKE HYDRAULIC PIPINGS

PURPOSE: To introduce modification to avoid interference of the left front wheel with hydraulic pipings.

APPLICATION: HD465-7 Dump Trucks, Serial Nos. 7001 thru 7172
HD605-7 Dump Trucks, Serial Nos. 7001 thru 7074

FAILURE CODE: 6B60FA

DESCRIPTION:

1. Introduction

When the steering wheel of the HD465-7 or HD605-7 dump truck with radial tires installed is turned to the stroke end with suspension not adjusted (nitrogen gas is not filled while oil works as stopper), left front wheel and hydraulic pipings may interfere. In such a case make the modification according to this Service News.

※ Type of the radial tire affected (24.00R35☆☆)

- BRIDGESTONE : VMTP and VZTS
- TOYO : T452
- MICHELIN : XDT and XQUARRY

2. List of parts

Part No.	Part Name	Purpose of part	Q'ty	Remarks
569-61-84181 (569-61-84180)	Tube (Tube)	} Replacement	1 (1)	
569-61-84121 (569-61-84120)	Tube (Tube)		1 (1)	
07040-11007 (07040-11409)	Plug (Plug)		1 (1)	
07002-21023 (07002-21423)	O-ring (O-ring)		1 (1)	
569-61-84130	Tube	Addition	1	
569-61-84142 (569-61-84141)	Tube (Tube)	} Replacement	1 (1)	
569-61-84313 (569-61-84312)	Tube (Tube)		1 (1)	HD465: #7157 thru #7172 HD605: #7064 thru #7074
(569-61-84311)	(Tube)		1 (1)	HD465: #7001 thru #7156 HD605: #7001 thru #7063
(569-61-84321)	(Tube)		Not used	(1)
569-61-84173 (569-61-84172)	Tube (Tube)	} Replacement	1 (1)	HD465: #7157 thru #7172 HD605: #7064 thru #7074
(569-61-84171)	(Tube)		(1)	HD465: #7001 thru #7156 HD605: #7001 thru #7063
(569-61-84260)	(Tube)		Not used	(1)
569-61-83214 (569-61-83213)	Tube (Tube)	} Replacement	1 (1)	HD465: #7157 thru #7172 HD605: #7064 thru #7074
(569-61-83212)	(Tube)		(1)	HD465: #7001 thru #7156 HD605: #7001 thru #7063
(569-61-81340)	(Tube)		Not used	(1)

Part No.	Part Name	Purpose of part	Q'ty	Remarks
569-61-84542 (569-61-84541)	Bracket (Bracket)	Replacement	1 (1)	
07332-01000	Coupling	Addition	1	
569-43-84373 (569-43-84372)	Tube (Tube)	}	1 (1)	} Consumable items
569-43-84393 (569-43-84392)	Tube (Tube)		1 (1)	
02896-21012	O-ring		2	
02896-21018	O-ring		3	
207-62-64740	O-ring		2	
07000-F3032	O-ring		2	
07000-F3035	O-ring		2	
07000-F3045	O-ring		1	
07000-F3048	O-ring		2	

<https://hespareparts.com/>

3. Description of Modification

Make the following modifications and secure clearance between the left front wheel and hydraulic pipings when the steering wheel is turned to the stroke end without suspension adjusted (nitrogen gas not filled while oil works as stopper).

- Description of modification of the hydraulic pipings

① Steering hydraulic piping

Move the locations of the check valve and flange, and secure the clearance between the piping and the tire.

② Brake hydraulic piping

Move the location of the tube bends and secure the clearance between the piping and the tire.

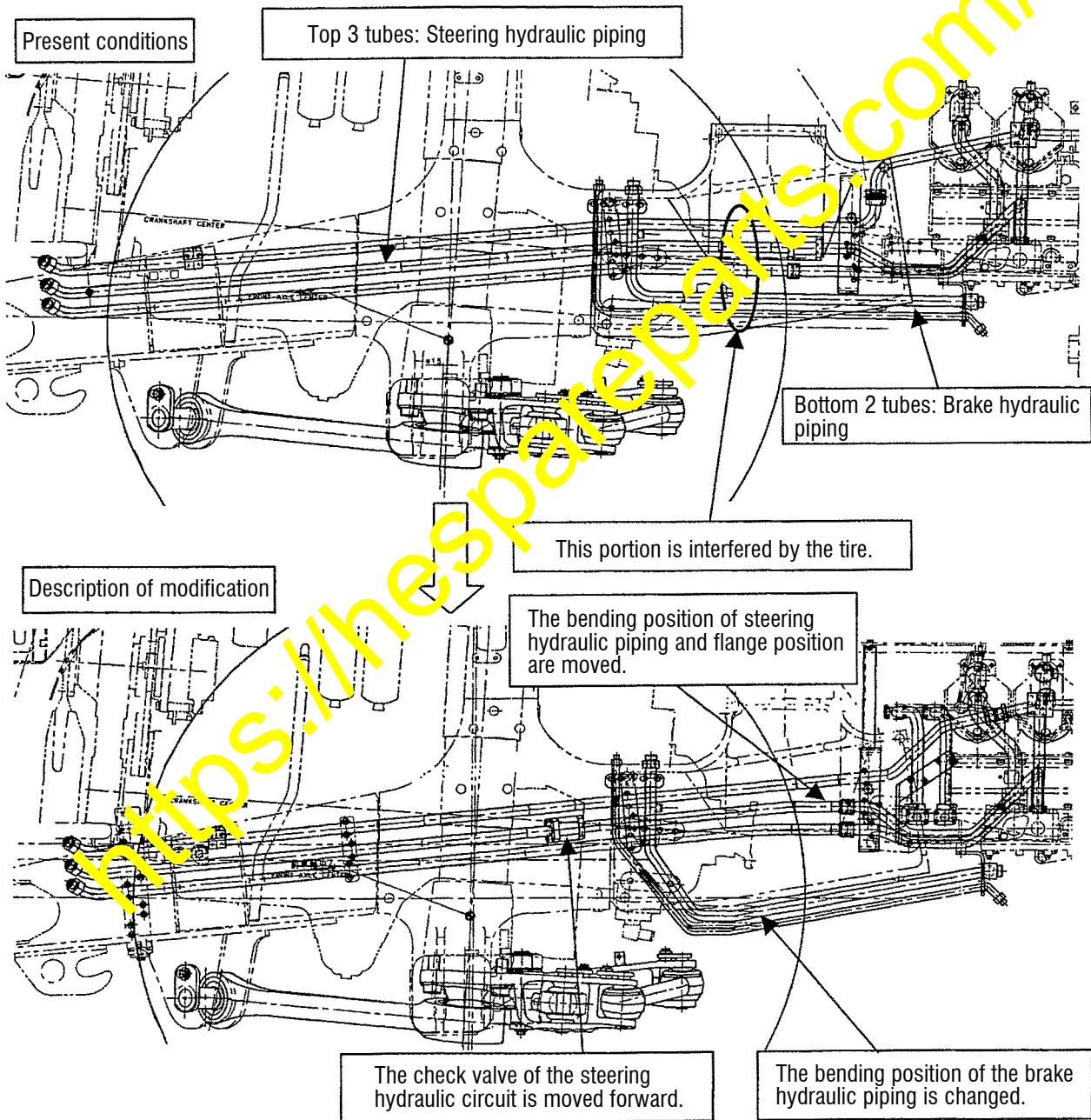


Fig. 1

4. Procedure of Modification

4-1 Preparations for Modification.

- 1) Stop the vehicle on the flat ground and apply the parking brake.
- 2) Stop the engine.
- 3) Chock the wheels.
- 4) Thoroughly read the operation and maintenance manual and shop manual prior to performing the work.

4-2 Removal of Parts

Remove the parts marked with a double circle and an asterisk (See Fig. 2 thru 4).
Store the parts marked with an asterisk as they will be reused when assembling.

①-1 Removal of Steering Hydraulic Piping

(HD465-7: #7001 thru #7156)

(HD605-7: #7001 thru #7063)

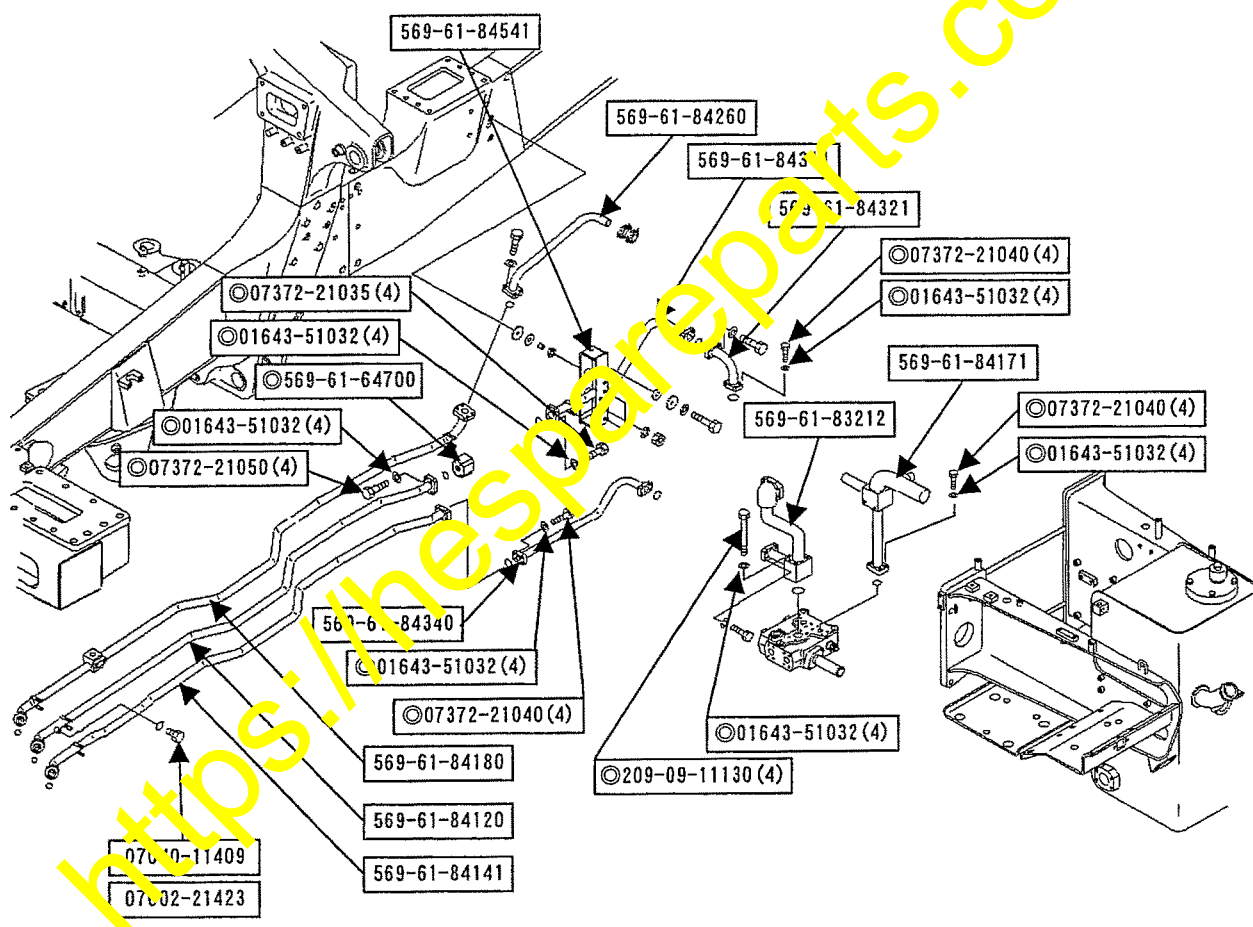
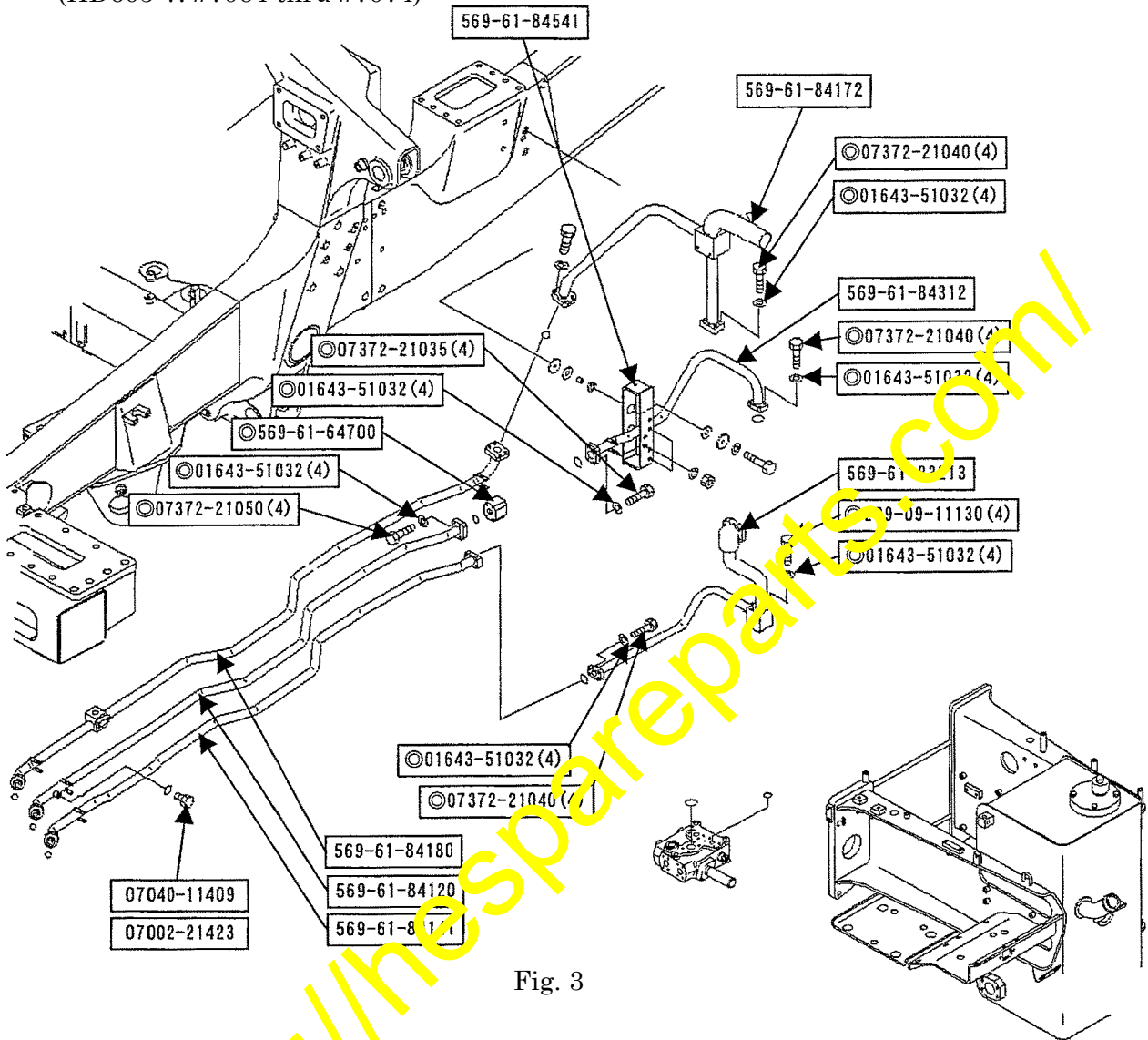
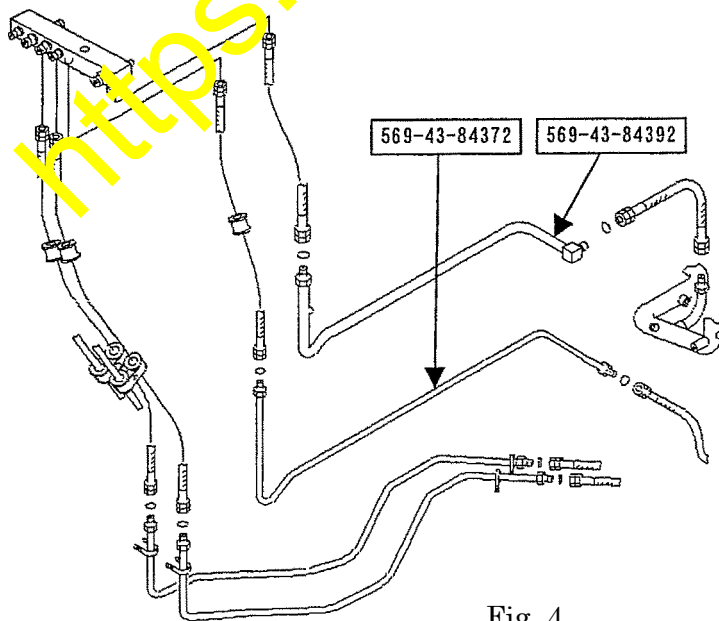


Fig. 2

①-2 Removal of Steering Hydraulic Piping
(HD465-7: #7157 thru #7172)
(HD605-7: #7064 thru #7074)



② Removal of Brake Hydraulic Piping



4-3 Installation of Parts

- ① Install the modified parts by referring to Fig.5 thru 7.
Those marked with a double circle indicate parts for reuse.

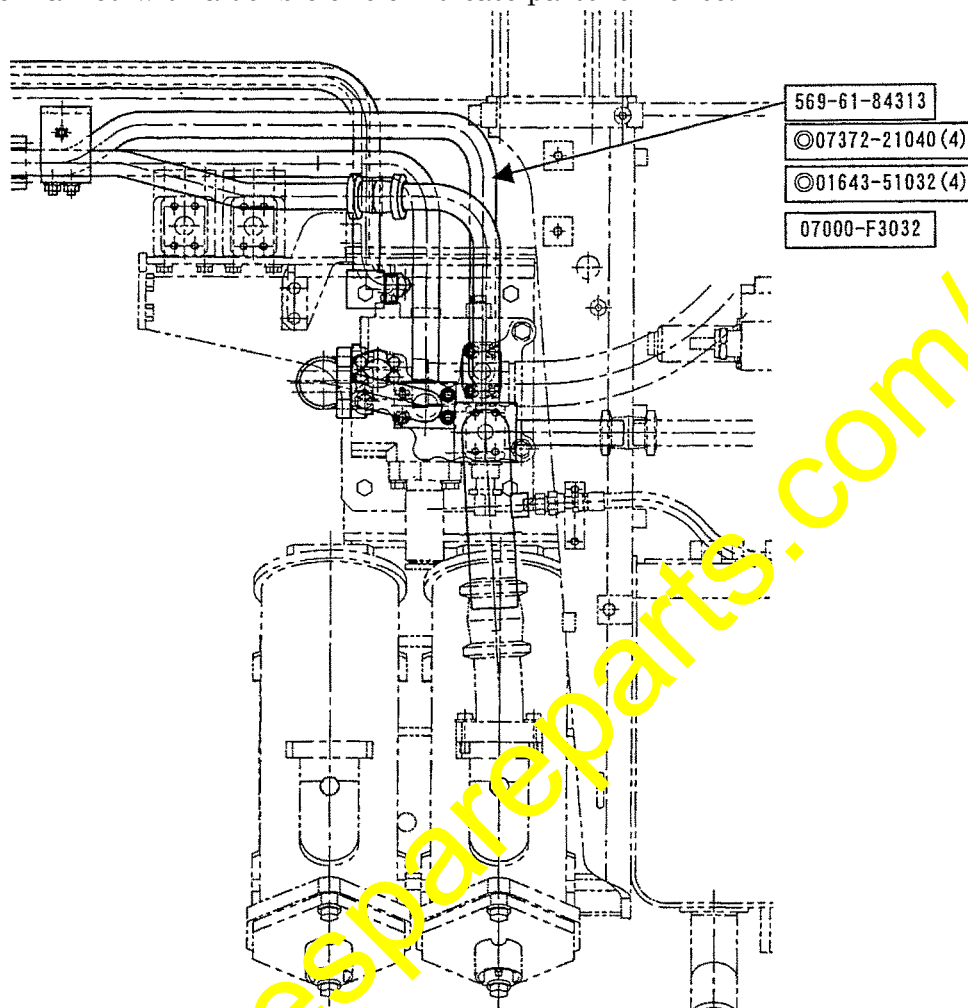


Fig. 5 Around Hydraulic Tank (Top View)

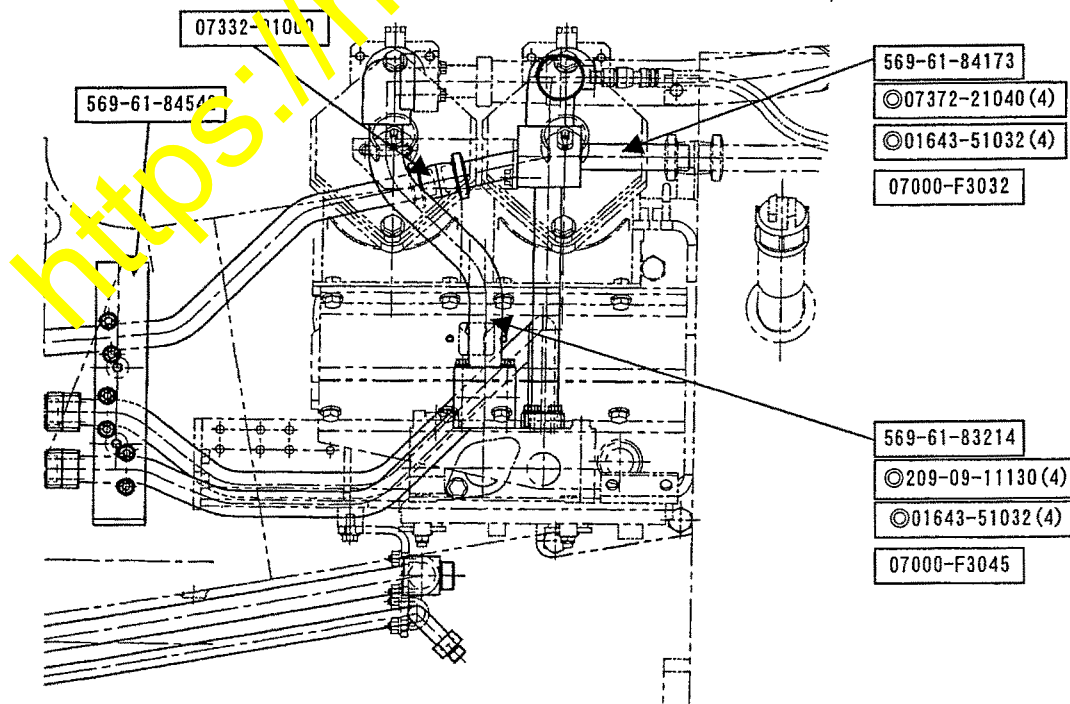


Fig. 6 Around Hydraulic Tank (Side View)

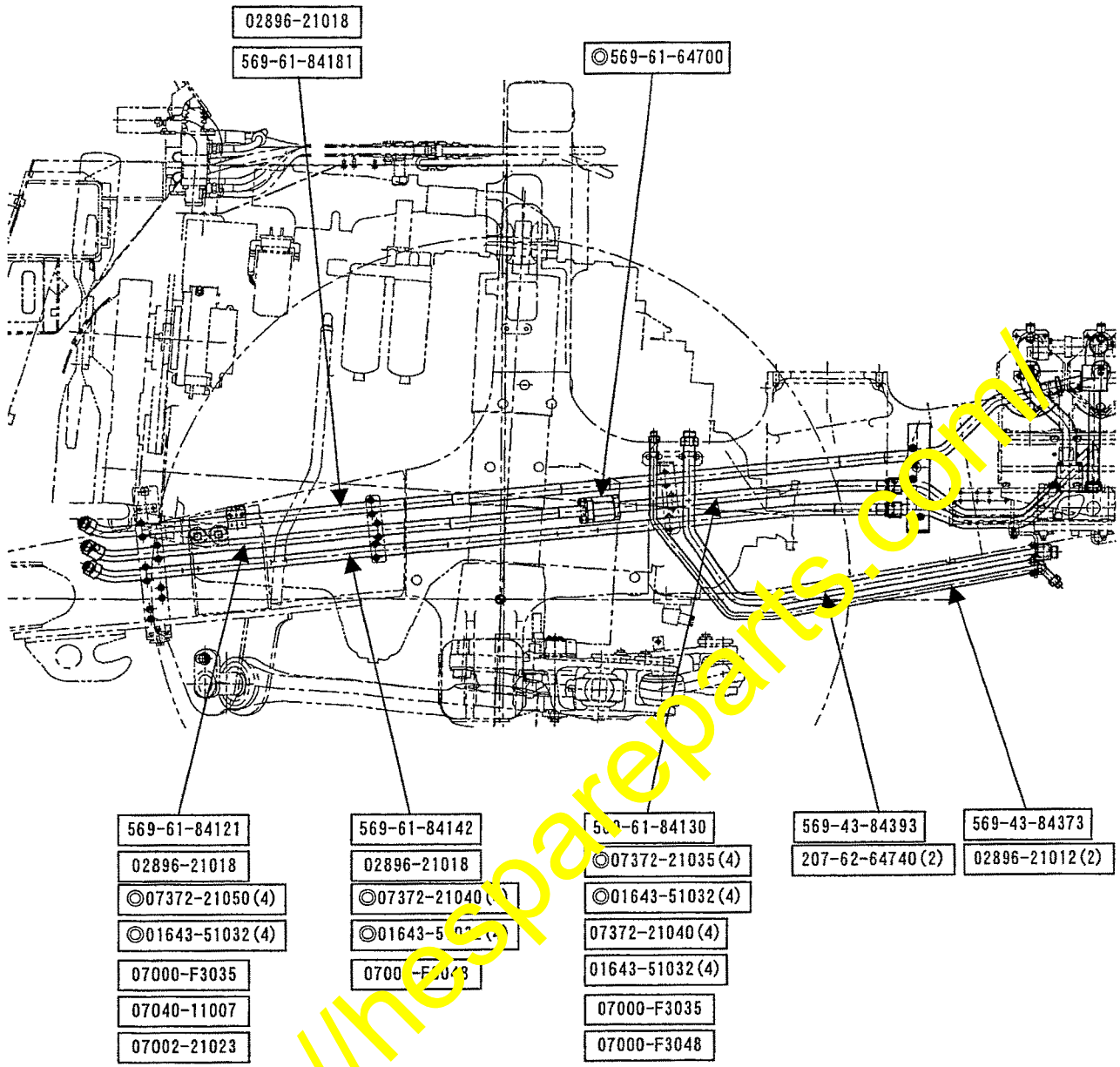


Fig. 7 Left hand of Vehicle (Side View)

- ② Make the adjustment of hydraulic oil level after installing the hydraulic piping.
(Check that there is no oil leak in the area where the modification has been made.)
 - ③ Operate the steering to the left and right stroke ends and check that there is no interference between the tire and the hydraulic piping.
- ⚠ Be sure to check and adjust the suspension in accordance with the shop manual before operating the steering after completion of vehicle assembly.