

PARTS & SERVICE NEWS

REF NO. AT04330

DATE November 16, 2004

Page 1 of 3

SUBJECT: REPAIR PROCEDURE FOR OIL LEAKAGE FROM THE SPOT WHERE HST PRESSURE PICK-UP NIPPLE IS INSTALLED

PURPOSE: To inform field personnel

APPLICATION: WA150-5: 65001-65095
 WA200-5: 65001-65322
 WA200PT-5: 65001-65322
 WA250-5: 70001-70268
 WA250PT-5: 70001-70268
 WA270-5: 70001-70268
 WA320-5: 60001-60209

FAILURE CODE: M114AA

DESCRIPTION:

Introduction

If oil leaks from the spot where the HST pressure pick-up nipple is installed on WA150-5 to WA320-5, repair it as instructed in this Service News.

List of Parts

Common for WA150-5, WA200-5, WA250-5, WA270-5, WA320-5

Part No.	Part Name	Purpose of Part	Qty	Remarks
07040-11007 (799-101-5220)	Plug (Nipple)	Replacement	2 (2)	
07002-11023	O-Ring	Replacement	2	
07000-12011	O-Ring	Replacement	2	
07040-11007 (799-101-5220)	Plug (Nipple)	Replacement	2 (2)	
07002-11023 (07002-11023)	O-Ring (O-Ring)	Replacement	2 (2)	Article of consumption
07000-12011 (07000-12011)	O-Ring (O-Ring)	Replacement	2 (2)	Article of consumption

1. Failure and remedy

1-1) Failure

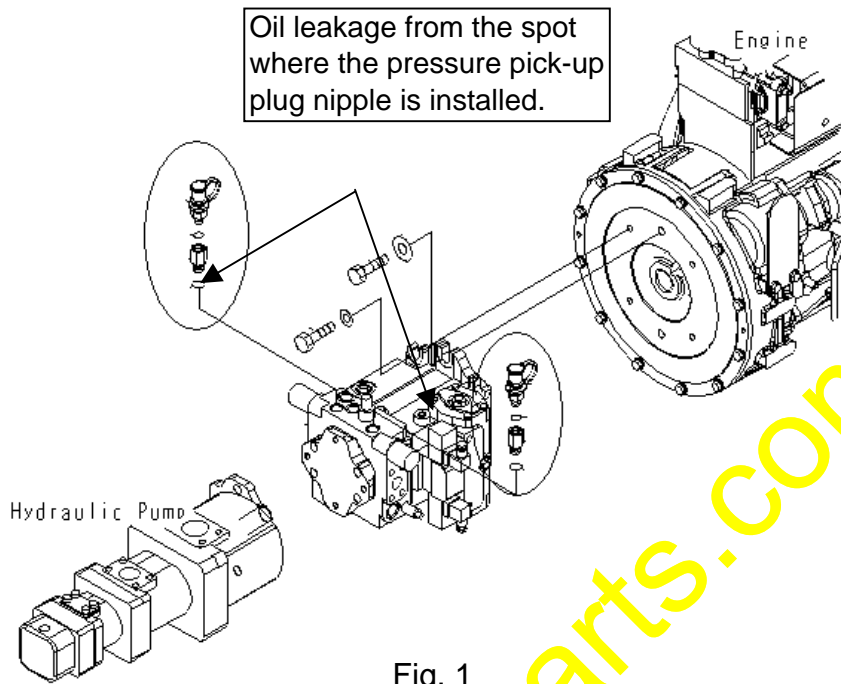
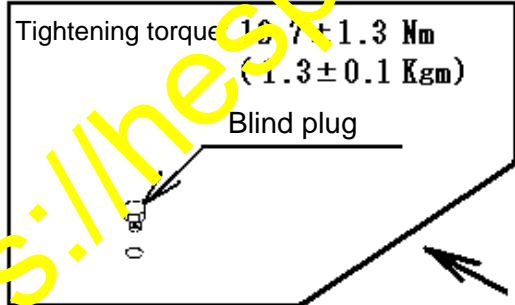


Fig. 1

1-2) Repair

- 1) To change the pressure pick-up plug to a blind plug.
- 2) To increase joint tightening torque
 $12.7 \pm 1.3 \text{ Nm} \rightarrow 41.2 \pm 4.1 \text{ Nm}$ ($1.3 \pm 0.1 \text{ kgm} \rightarrow 4.2 \pm 0.4 \text{ kgm}$)

Repair <1> Change of the pressure pick-up plug to a blind plug. (Both sides)



Repair <2> Increase of joint tightening torque (both sides).

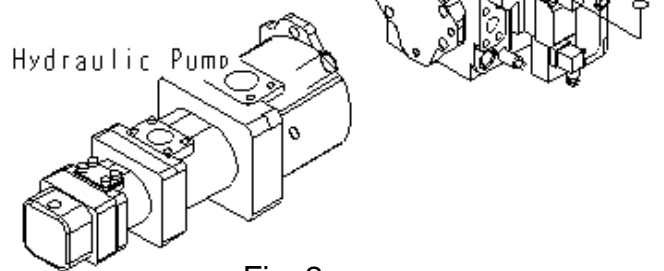
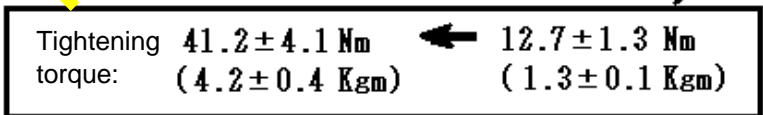


Fig. 2

2. Replacing parts -> Replace the parts affected by the failure and increase the joint tightening torque by referring to the section "Assembly and Disassembly" in the shop manual.

2.1 WA150-5

Remove the parts shown in Fig. 3 and replace them with repair parts.

- | | | | |
|-------|----------------------------|--------------|-------------|
| No.38 | Part number before repair: | 799-101-5220 | Two nipples |
| | Part number after repair: | 07040-11007 | Two plugs |
| No.39 | Consumables: | 07002-11023 | Two O-rings |
| No.37 | Consumables: | 07000-12011 | Two O-rings |

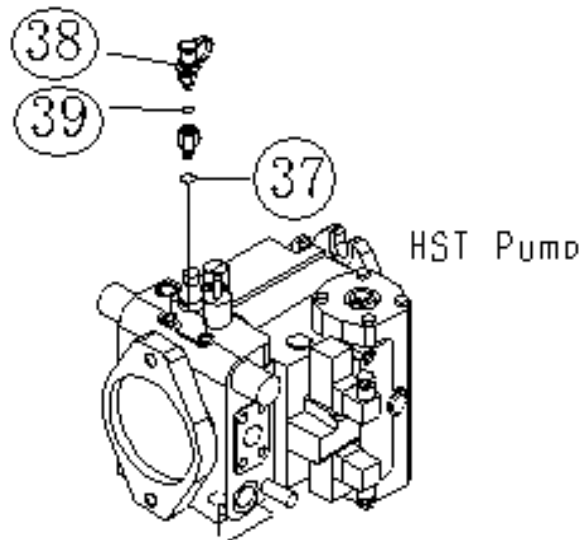


Fig. 3

2.2 WA200-5 thru WA270-5

Remove the parts as shown in Fig. 4 and replace them with repair parts.

- | | | | |
|-------|----------------------------|--------------|-------------|
| No.17 | Part number before repair: | 799-101-5220 | Two nipples |
| | Item number after repair: | 07040-11007 | Two plugs |
| No.18 | Consumables: | 07002-11023 | Two O-rings |
| No.16 | Consumables: | 07000-12011 | Two O-rings |

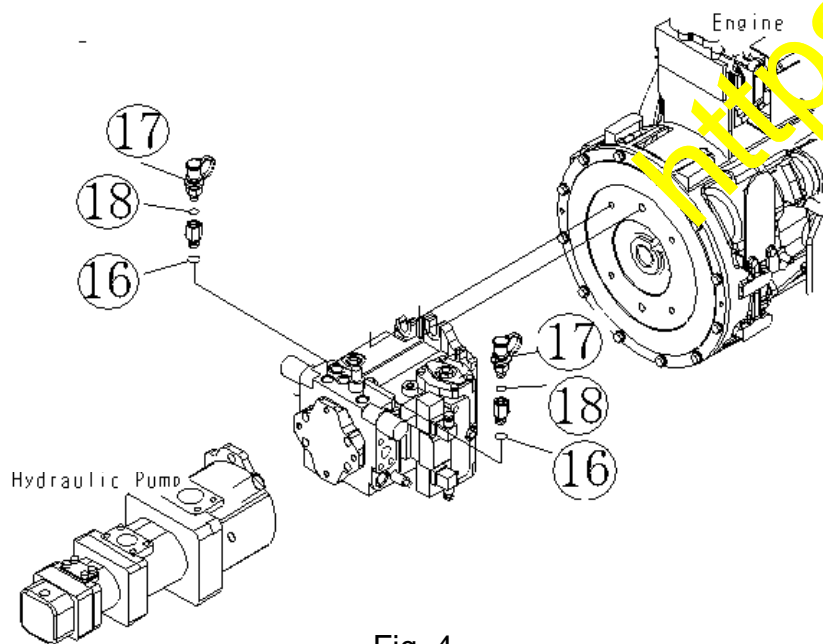


Fig. 4

2.3 WA320-5

Remove the parts shown in Fig. 5 and replace them with repair parts.

- | | | | |
|------|----------------------------|--------------|-------------|
| No.4 | Part number before repair: | 799-101-5220 | Two nipples |
| | Part number after repair: | 07040-11007 | Two plugs |
| No.3 | Consumables: | 07002-11023 | Two O-rings |
| No.5 | Consumables: | 07000-12011 | Two O-rings |

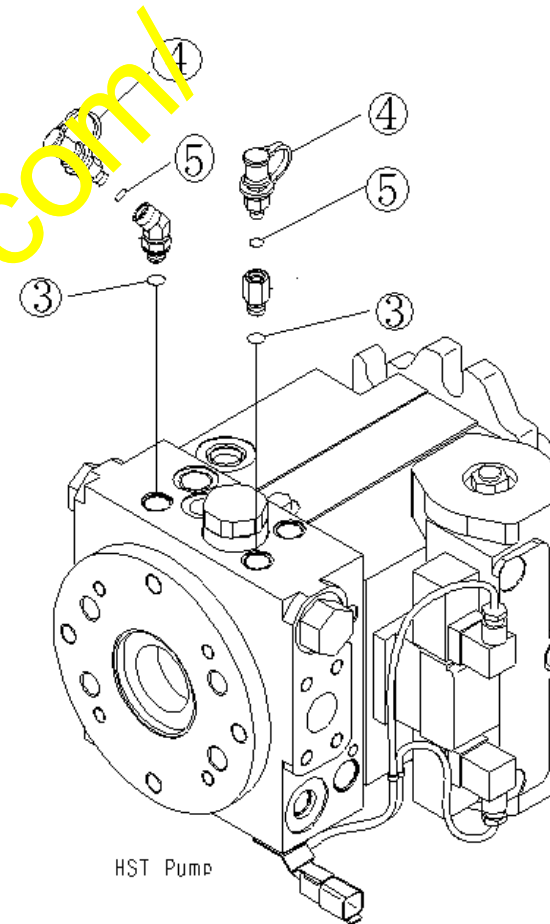


Fig. 5