

**PARTS & SERVICE
NEWS**

REF NO.	AT98018
DATE	Mar. 2, 1998

Page 1 of 3

SUBJECT: CRACKED PISTON HEAD ON 170 ENGINE**PURPOSE:** To introduce the modification made for the FCD pistons for use with the SAA6D170E engines.**APPLICATION:** Refer to page 3.**FAILURE CODE:** A35037**DESCRIPTION:**

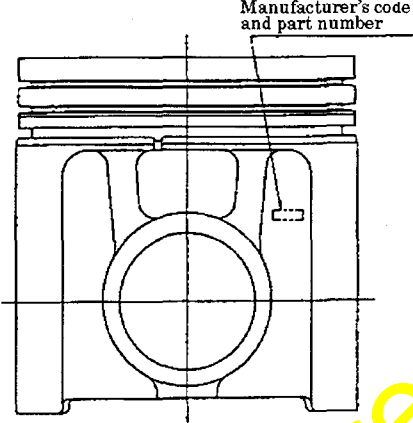
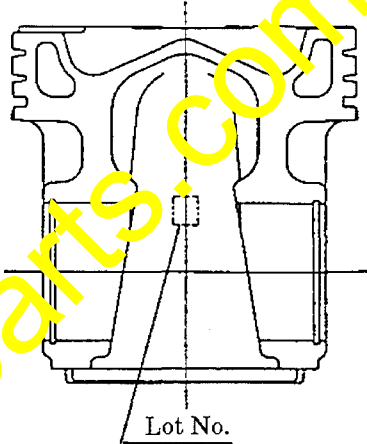
1. Introduction

This Service News will introduce the contents of the modification made for the FCD pistons being used for the SAA6D170E engines for the purpose of improving their productivity. Refer to page 3 regarding the applicable machine and vehicle models.

2. List of parts

Part No.	Part Name	Q'ty	Remarks
6162-35-2120 (6162-35-2110)	Piston (Piston)	6	

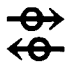
3. Contents of the modification

	New part	Current part
1. Part numbers	6162-35-2120	6162-35-2110
2. Modification contents	The supply source (manufacturer) of the cast iron material has been changed. • The shape, weight and mechanical characteristics remain the same between the new and current parts.	
3. Identification method	“Manufacturer’s code” + “part number” are being embossed on the front face of the piston. 	“Lot number” is being embossed on the rear surface of the skirt section. 

*PST-FCD*M-CHANGE*SEEDING

4. Interchangeability

The new and current pistons are interchangeable as shown below. Mixed use of the new and current pistons with a single engine is workable.

	New part	Interchangeability	Current part
Piston	6162-35-2120		6162-35-2110

5. Applicable machine and vehicle models and serial numbers

No.	Machine and vehicle models		Already shipped machines and vehicles		Machine and vehicle models being newly shipped from the factory (Already modified.)	
			Engine Nos.	Chassis Nos.	Engine Nos.	Chassis Nos.
1	HD465-5	SAA6D170E	10001 – 18480	1001 – 4595	#18481 –	#4596 –
2	PC1000-1	SA6D170E	10001 – 18826	—	#18827 –	From the next production and after
3	PC1100-6	SAA6D170E	—	—	#18553 –	#10001 –
4	WA600-3	SA6D170E	—	—	#18669 –	#50001 –
5	WA700-3	SAA6D170E	10001 – 18522	1001 – 50001	#18553 –	From the next production and after
6	WA700-AP-1	SAA6D170E	—	—	—	—
7	D275A-2	S6D170E	10001 – 18739	10001 – 10278	#18740 –	From the next production and after
8	D375A-3	SA6D170E	10001 – 18710	10001 – 17272	#18713 –	From the next production and after
9	A6D170E-WJK-2	SAA6D170E	10001 – 18495	—	#18496 –	From the next production and after
10	A6D170E-W2-2	SAA6D170E	—	—	#18602 –	—
11	HD605	SAA6D170E	10001 – 18435	1001 – 1011	#18497 –	#1012 –

<https://hespareparts.com/>

<https://hespareparts.com/>