

PARTS & SERVICE NEWS

REF NO.	AT99222B
DATE	Jun. 27, 2000

Page 1 of 54

This PARTS & SERVICE NEWS supersedes the previous issue No. AT99222A dated Apr. 17, 2000 which should be discarded.

SUBJECT: REPAIR OF DEFECTIVE STARTING MOTOR (SAFETY RELAY) ON ALL MODELS

PURPOSE: To introduce improved safety relays applicable to all the engine models except 102-series for use to rectify defective start of the starting motor.

APPLICATION: All engine models except ϕ 102 series
(See Page 43 thru Page 53.)

FAILURE CODE: ABXR50

DESCRIPTION:

1-1. Introduction


Although we have previously adopted a vibration-resistant safety relay, in an attempt to improve its wear resistance, for the starting motor on all the engine models except 102-series engines, the insulation bushing installed inside the safety relay, owing to inappropriate material of the bushing, may adhere to the molded cover to raise the minimum activation voltage of the safety relay and thereby to cause defective start of the starting motor. When such failures are found to be occurring with the models listed, implement the modification designated in this Service News to remedy the failures.

1-2. Revised places:




4 places \triangle	Apr. 17, 2000	Corrected the part numbers.
12 places \triangle	Jun. 27, 2000	Corrected the part numbers.

2. List of parts

(1) Safety relay Part No.

Part No.	Part Name	Purpose of part	Q'ty	Remarks (Starter KOMATSU Part No.)
KD 0-25000-6442 (KD 0-25000-6441)	Safety relay (Safety relay)	Replacement	1 (1)	600-813-3510
KD 0-25000-6522 (KD 0-25000-6521)	Safety relay (Safety relay)		1 (1)	600-813-3521
KD 0-25000-6563 (KD 0-25000-6562)	Safety relay (Safety relay)		1 (1)	600-813-3530
KD 0-25000-6572 (KD 0-25000-6571)	Safety relay (Safety relay)		1 (1)	600-813-3540
KD 0-25000-6563 (KD 0-25000-6562)	Safety relay (Safety relay)		1 (1)	600-813-3550
KD 0-25000-6522 (KD 0-25000-6521)	Safety relay (Safety relay)		1 (1)	600-813-3560
KD 0-25000-6832 (KD 0-25000-6831)	Safety relay (Safety relay)		1 (1)	600-813-3611
KD 0-25000-6872 (KD 0-25000-6871)	Safety relay (Safety relay)		1 (1)	600-813-3621
KD 0-25000-8102 (KD 0-25000-8100)	Safety relay (Safety relay)		1 (1)	600-813-3630
KD 0-25000-6442 (KD 0-25000-6441)	Safety relay (Safety relay)		1 (1)	600-813-3640
KD 0-25000-8370 (KD 0-25000-6892)	Safety relay (Safety relay)		1 (1)	600-813-3650
KD 0-25000-6872 (KD 0-25000-6871)	Safety relay (Safety relay)		1 (1)	600-813-3660
KD 0-25000-8450 (KD 0-25000-8100)	Safety relay (Safety relay)		1 (1)	600-813-3670
KD 0-25000-6913 (KD 0-25000-6912)	Safety relay (Safety relay)		1 (1)	600-813-3680
KD 0-25000-6962 (KD 0-25000-6961)	Safety relay (Safety relay)		1 (1)	600-813-3710
KD 0-25000-8380 (KD 0-25000-6893)	Safety relay (Safety relay)		1 (1)	600-813-3720
KD 0-25000-6832 (KD 0-25000-6831)	Safety relay (Safety relay)		1 (1)	600-813-3730
KD 0-25000-7122 (KD 0-25000-7121)	Safety relay (Safety relay)		1 (1)	600-813-3740
KD 0-25000-7192 (KD 0-25000-7191)	Safety relay (Safety relay)		1 (1)	600-813-4520  600-813-4250
KD 0-25000-7182 (KD 0-25000-7181)	Safety relay (Safety relay)		1 (1)	600-813-4540

Part No.	Part Name	Purpose of part	Q'ty	Remarks (Starter KOMATSU Part No.)
KD 0-25000-6832 (KD 0-25000-6831)	Safety relay (Safety relay)	Replacement	1 (1)	600-813-4550
KD 0-25000-7122 (KD 0-25000-7121)	Safety relay (Safety relay)		1 (1)	600-813-4570
KD 0-25000-6862 (KD 0-25000-6861)	Safety relay (Safety relay)		1 (1)	600-813-4580
KD 0-25000-8340 (KD 0-25000-7342)	Safety relay (Safety relay)		1 (1)	600-813-4670
KD 0-25000-7702 (KD 0-25000-7701)	Safety relay (Safety relay)		1 (1)	600-813-4770
KD 0-25000-7462 (KD 0-25000-7461)	Safety relay (Safety relay)		1 (1)	600-813-4780
KD 0-25000-8370 (KD 0-25000-6892)	Safety relay (Safety relay)		1 (1)	600-813-4921
KD 0-25000-7322 (KD 0-25000-7321)	Safety relay (Safety relay)		1 (1)	600-813-4931
KD 0-25000-7462 (KD 0-25000-7461)	Safety relay (Safety relay)		1 (1)	600-813-4980
KD 0-25000-7971 (KD 0-25000-7970)	Safety relay (Safety relay)		1 (1)	600-813-7111
KD 0-25000-7971 (KD 0-25000-7970)	Safety relay (Safety relay)		1 (1)	600-813-7120
KD 0-25000-8440 (KD 0-25000-7974)	Safety relay (Safety relay)		1 (1)	600-813-7130
KD 0-25000-7902 (KD 0-25000-7301)	Safety relay (Safety relay)		1 (1)	600-813-7220
KD 0-25000-8350 (KD 0-25000-6834)	Safety relay (Safety relay)		1 (1)	600-813-7230
KD 0-25000-7702 (KD 0-25000-7701)	Safety relay (Safety relay)		1 (1)	600-813-7310
KD 0-25000-8410 (KD 0-25000-7324)	Safety relay (Safety relay)		1 (1)	600-813-7520
KD 0-25000-8340 (KD 0-25000-7342)	Safety relay (Safety relay)		1 (1)	600-813-7610
KD 0-25000-8360 (KD 0-25000-6874)	Safety relay (Safety relay)		1 (1)	600-813-7620
KD 0-25000-7372 (KD 0-25000-7371)	Safety relay (Safety relay)		1 (1)	600-813-4943
KD 0-25000-7372 (KD 0-25000-7371)	Safety relay (Safety relay)		1 (1)	600-813-5810

Part No.	Part Name	Purpose of part	Q'ty	Remarks (Starter KOMATSU Part No.)
KD 0-25000-6522 (KD 0-25000-6521)	Safety relay (Safety relay)	Replacement	1 (1)	600-813-4531
KD 0-25000-8370 (KD 0-25000-6890)	Safety relay (Safety relay)		1 (1)	600-813-4650
KD 0-25000-6522 (KD 0-25000-6520)	Safety relay (Safety relay)		1 (1)	600-813-4560
KD 0-25000-8370 (KD 0-25000-6892)	Safety relay (Safety relay)		1 (1)	600-813-4680
KD 0-25000-6872 (KD 0-25000-6871)	Safety relay (Safety relay)		1 (1)	600-813-4790
KD 0-25000-7322 (KD 0-25000-7321)	Safety relay (Safety relay)		1 (1)	600-813-4610
KD 0-25000-7872 (KD 0-25000-7871)	Safety relay (Safety relay)		1 (1)	600-813-6410
KD 0-25000-7882 (KD 0-25000-7881)	Safety relay (Safety relay)		1 (1)	600-813-6420
KD 0-25000-8111 (KD 0-25000-6081)	Safety relay (Safety relay)		1 (1)	600-813-3230
KD 0-25000-8111 (KD 0-25000-6081)	Safety relay (Safety relay)		1 (1)	600-813-3260
KD 0-25000-8111 (KD 0-25000-6081)	Safety relay (Safety relay)		1 (1)	600-813-3280
KD 0-25000-8111 (KD 0-25000-6081)	Safety relay (Safety relay)		1 (1)	600-813-3310
KD 0-25000-6953 (KD 0-25000-6951)	Safety relay (Safety relay)		1 (1)	600-813-3320
KD 0-25000-6952 (KD 0-25000-6951)	Safety relay (Safety relay)		1 (1)	600-813-3330
KD 0-25000-6907 (KD 0-25000-6900)	Safety relay (Safety relay)		1 (1)	600-813-3390
KD 0-25000-8390 (KD 0-25000-7050)	Safety relay (Safety relay)		1 (1)	600-813-3350
 KD 0-25000-7771 (KD 0-25000-7770)	Safety relay (Safety relay)		1 (1)	600-813-4411
KD 0-25000-8490 (KD 0-25000-6560)	Safety relay (Safety relay)		1 (1)	600-813-3830 
KD 0-25000-6972 (KD 0-25000-6970)	Safety relay (Safety relay)		1 (1)	600-813-3170  600-813-3171
KD 0-25000-8111 (KD 0-25000-6081)	Safety relay (Safety relay)		1 (1)	600-813-3360
KD 0-25000-6822 (KD 0-25000-6820)	Safety relay (Safety relay)	1 (1)	600-813-3380	

Part No.	Part Name	Purpose of part	Q'ty	Remarks (Starter KOMATSU Part No.)
KD 0-25000-7102 (KD 0-25000-7100)	Safety relay (Safety relay)	Replacement	1 (1)	600-813-3430
KD 0-25000-6902 (KD 0-25000-6900)	Safety relay (Safety relay)		1 (1)	600-813-3460
KD 0-25000-6073 (KD 0-25000-6071)	Safety relay (Safety relay)		1 (1)	600-813-4111
KD 0-25000-6953 (KD 0-25000-6951)	Safety relay (Safety relay)		1 (1)	600-813-4120
KD 0-25000-6563 (KD 0-25000-6561)	Safety relay (Safety relay)		1 (1)	600-813-4270
KD 0-25000-6183 (KD 0-25000-6181)	Safety relay (Safety relay)		1 (1)	600-813-4290
KD 0-25000-6563 (KD 0-25000-6561)	Safety relay (Safety relay)		1 (1)	600-813-4310
KD 0-25000-8400 (KD 0-25000-7501) (KD 0-25000-7051)	Safety relay (Safety relay) (Safety relay)		1 (1) (1)	600-813-4350
KD 0-25000-7452 (KD 0-25000-7450)	Safety relay (Safety relay)		1 (1)	600-813-4360
KD 0-25000-7282 (KD 0-25000-7280)	Safety relay (Safety relay)		1 (1)	600-813-4422
KD 0-25000-7282 (KD 0-25000-7280)	Safety relay (Safety relay)		1 (1)	600-813-6210

(2) Starting motor assembly

For the 100 series

Part No.	Part Name	Purpose of part	Q'ty	Remarks
600-813-3611 (600-813-6610)	Starter (Starter)	Reworked	1 (1)	
600-813-4791 (600-813-4790)	Starter (Starter)		1 (1)	
600-813-4681 (600-813-4680)	Starter (Starter)		1 (1)	
600-813-4532 (600-813-4531)	Starter (Starter)		1 (1)	
600-813-6421 (600-813-6420)	Starter (Starter)		1 (1)	
600-813-6411 (600-813-6410)	Starter (Starter)		1 (1)	

Part No.	Part Name	Purpose of part	Q'ty	Remarks
600-813-6621 (600-813-6620)	Starter (Starter)	} Reworked	1 (1)	
600-813-4561 (600-813-4560)	Starter (Starter)		1 (1)	
600-813-4651 (600-813-4650)	Starter (Starter)		1 (1)	

For the 114 series

Part No.	Part Name	Purpose of part	Q'ty	Remarks
600-813-7231 (600-813-7230)	Starter (Starter)	} Reworked	1 (1)	Available as spare parts only
600-813-3711 (600-813-3710)	Starter (Starter)		1 (1)	
600-813-7112 (600-813-7111)	Starter (Starter)		1 (1)	
600-813-7121 (600-813-7120)	Starter (Starter)		1 (1)	
600-813-7131 (600-813-7130)	Starter (Starter)		1 (1)	
600-813-7141 (600-813-7140)	Starter (Starter)		1 (1)	
600-813-3612 (600-813-3611)	Starter (Starter)		1 (1)	
600-813-7221 (600-813-7220)	Starter (Starter)		1 (1)	
600-813-3641 (600-813-3640)	Starter (Starter)		1 (1)	Available as spare parts only
600-813-3511 (600-813-3510)	Starter (Starter)		1 (1)	
600-813-3731 (600-813-3730)	Starter (Starter)		1 (1)	
600-813-3741 (600-813-3740)	Starter (Starter)		1 (1)	
600-813-4571 (600-813-4570)	Starter (Starter)		1 (1)	
600-813-3522 (600-813-3521)	Starter (Starter)		1 (1)	Available as spare parts only

Part No.	Part Name	Purpose of part	Q'ty	Remarks
600-813-3622 (600-813-3621)	Starter (Starter)		1 (1)	
600-813-7621 (600-813-7620)	Starter (Starter)		1 (1)	Available as spare parts only
600-813-4922 (600-813-4921)	Starter (Starter)		1 (1)	
600-813-4932 (600-813-4931)	Starter (Starter)		1 (1)	
600-813-7521 (600-813-7520)	Starter (Starter)		1 (1)	
600-813-7531 (600-813-7530)	Starter (Starter)		1 (1)	
600-813-3531 (600-813-3530)	Starter (Starter)		1 (1)	
600-813-3631 (600-813-3630)	Starter (Starter)		1 (1)	
600-813-3671 (600-813-3670)	Starter (Starter)		1 (1)	
600-813-3681 (600-813-3680)	Starter (Starter)	Not worked	1 (1)	
600-813-4671 (600-813-4670)	Starter (Starter)		1 (1)	
600-813-7611 (600-813-7610)	Starter (Starter)		1 (1)	
600-813-3541 (600-813-3540)	Starter (Starter)		1 (1)	Available as spare parts only
600-813-4551 (600-813-4550)	Starter (Starter)		1 (1)	
600-813-3551 (600-813-3550)	Starter (Starter)		1 (1)	Available as spare parts only
600-813-3561 (600-813-3560)	Starter (Starter)		1 (1)	
600-813-3661 (600-813-3660)	Starter (Starter)		1 (1)	
600-813-3651 (600-813-3650)	Starter (Starter)		1 (1)	Available as spare parts only
600-813-3721 (600-813-3720)	Starter (Starter)		1 (1)	
600-813-4981 (600-813-4980)	Starter (Starter)		1 (1)	

Part No.	Part Name	Purpose of part	Q'ty	Remarks
600-813-4781 (600-813-4780)	Starter (Starter)	}	1 (1)	} Available as spare parts only
600-813-3831 (600-813-3830)	Starter (Starter)		1 (1)	
600-813-4541 (600-813-4540)	Starter (Starter)		1 (1)	
600-813-4721 (600-813-4720)	Starter (Starter)		1 (1)	
600-813-4771 (600-813-4770)	Starter (Starter)		1 (1)	
600-813-7311 (600-813-7310)	Starter (Starter)		Reworked	1 (1)
600-813-4944 (600-813-4943)	Starter (Starter)			1 (1)
600-813-5811 (600-813-5810)	Starter (Starter)			1 (1)
600-813-4581 (600-813-4580)	Starter (Starter)			1 (1)
600-813-9311 (600-813-9310)	Starter (Starter)			1 (1)
600-813-9321 (600-813-9320)	Starter (Starter)		1 (1)	

<https://hespareparts.com/>

For the 90 series

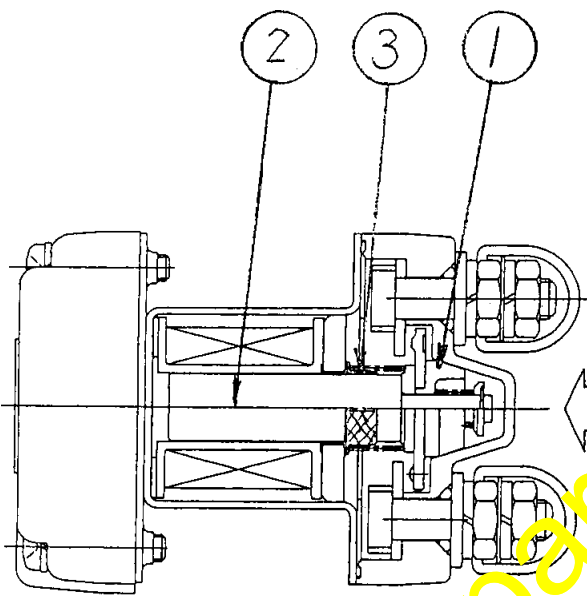
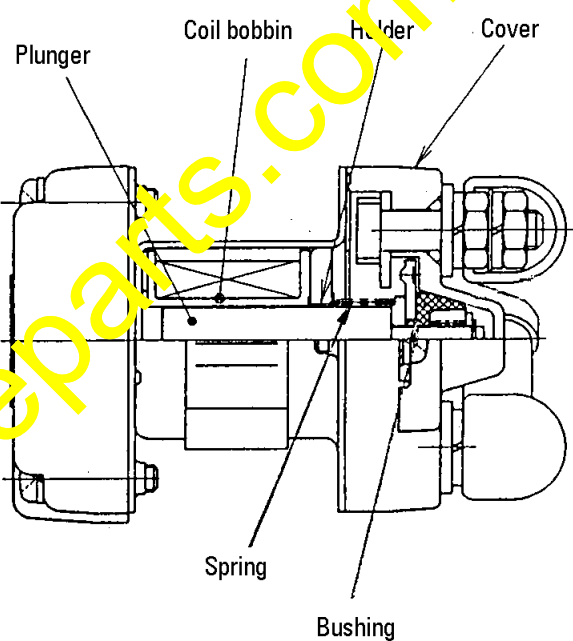
Part No.	Part Name	Purpose of part	Q'ty	Remarks	
600-813-3281 (600-813-3280)	Starter (Starter)) reworked	1 (1)	} Available as spare parts only	
600-813-4121 (600-813-4120)	Starter (Starter)		1 (1)		
600-813-3391 (600-813-3390)	Starter (Starter)		1 (1)		
600-813-4112 (600-813-4111)	Starter (Starter)		1 (1)		
600-813-4291 (600-813-4290)	Starter (Starter)		1 (1)		
600-813-3231 (600-813-3230)	Starter (Starter)		1 (1)		
600-813-3311 (600-813-3310)	Starter (Starter)		1 (1)		
600-813-3331 (600-813-3330)	Starter (Starter)		1 (1)		
600-813-3431 (600-813-3430)	Starter (Starter)		1 (1)		
600-813-3461 (600-813-3460)	Starter (Starter)		1 (1)		
600-813-4311 (600-813-4310)	Starter (Starter)		1 (1)		Available as spare parts only
600-813-6211 (600-813-6210)	Starter (Starter)		1 (1)		
600-813-3321 (600-813-3320)	Starter (Starter)		1 (1)		
600-813-3351 (600-813-3350)	Starter (Starter)		1 (1)		
600-813-3361 (600-813-3360)	Starter (Starter)		1 (1)		
600-813-4351 (600-813-4350)	Starter (Starter)		1 (1)		
600-813-4423 (600-813-4422)	Starter (Starter)		1 (1)		
600-813-4271 (600-813-4270)	Starter (Starter)		1 (1)		
600-813-3261 (600-813-3260)	Starter (Starter)		1 (1)		
600-813-4361 (600-813-4360)	Starter (Starter)		1 (1)		

Part No.	Part Name	Purpose of part	Q'ty	Remarks
600-813-4171 (600-813-4170)	Starter (Starter)	} Reworked	1 (1)	Available as spare parts only
B 600-813-3191 (600-813-3190)	Starter (Starter)		1 (1)	
B 600-813-4441 (600-813-4440)	Starter (Starter)		1 (1)	
B 600-813-3131 (600-813-3130)	Starter (Starter)		1 (1)	
B 600-813-4412 (600-813-4411)	Starter (Starter)		1 (1)	
B 600-813-3172 (600-813-3171)	Starter (Starter)		1 (1)	

<https://hespareparts.com/>

3. Contents of the modification

An internal part of the safety relay which is attached to the starting motor, may wear to cause the operating voltage to increase, leading to occurrences of activation failures of the starting motor. The cause for this failure is that the bushing used inside the safety relay has worn by rubbing against the cover and its sliding resistance has increased. As the improvements to remedy the above failure and, simultaneously, as a means to prevent the spring from entering into inside the holder, following modifications have been implemented.

		New safety relay	Current safety relay	
Structures				
	Changes made	New part	Current part	Purpose of the improvement
①	Material of the bushing	Duracon (M90-44)	Fiberglass reinforced Duracon (GH-25)	To improve the vibration resistance (9G→20G)
②	Surface treatment for the plunger	Tufftride	Zinc plating	To improve the vibration resistance (9G→20G)
③	Spring holder	Supplemented an L-shaped washer.	None	To prevent damage by the spring

Replacement procedures for the safety relay for the starting motor

(1) Removing the starting motor

- (1.1) Turn off the starting key and disconnect the negative terminal connection of the battery cable.
- (1.2) Disconnect connection of the terminal "B" of the magnetic switch and disconnect the connector of the safety relay.
- (1.3) Loosen the mounting bolts to remove the whole starting motor assembly from the engine.

(2) Removing the safety relay

- (2.1) Disconnect connections of the terminals "B", "C" and "E" of the magnetic switch.
- (2.2) Loosen the safety relay mounting bolts to remove the safety relay from the starting motor.

(3) Installing the improved safety relay

- (3.1) Install the improved safety relay to starting motor to the original state and reconnect all the disconnected connections. Tightening torque ranges are as follows:

Safety relay mounting bolts

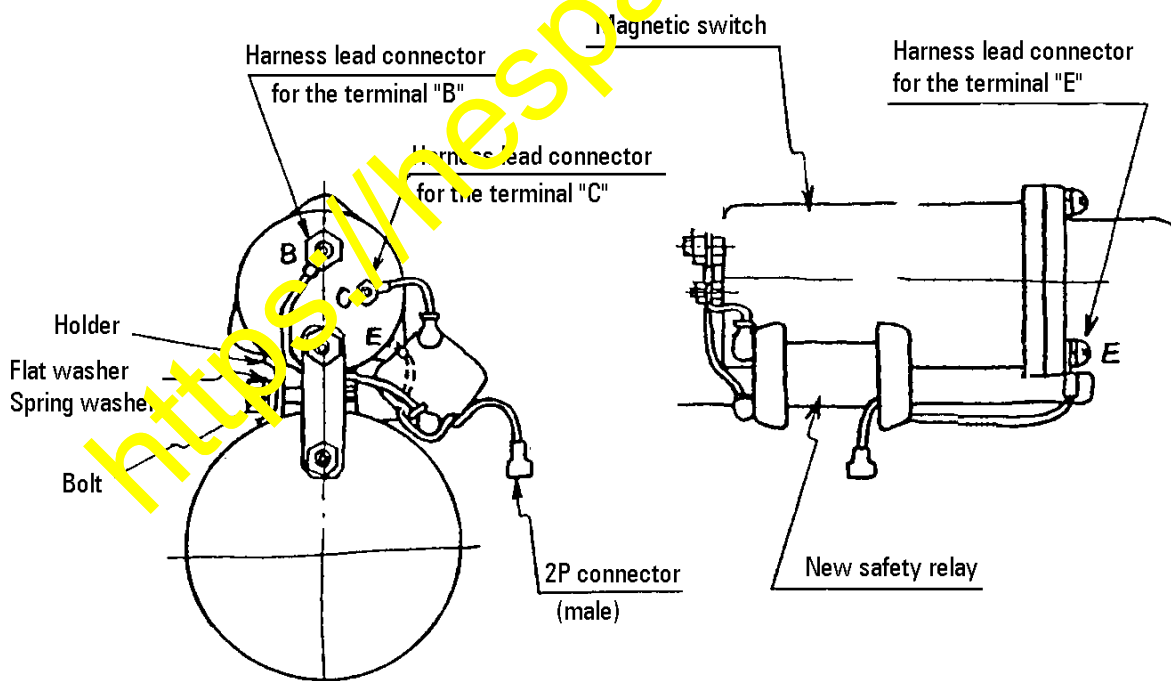
M6: 3.9 – 4.5 Nm (0.40 – 0.46 Kgm)

Terminal "E" of the magnetic switch

M5: 2.2 – 2.8 Nm (0.22 – 0.29 Kgm)

M6: 3.9 – 5.1 Nm (0.40 – 0.52 Kgm)

M8: 9.5 – 12.3 Nm (0.97 – 1.25 Kgm)



[When viewed from the rear side of the starting motor assembly]

The schematic diagrams indicated above are in case of RH-side mounting of the safety relay.

Terminal "C" of the magnetic switch

M4: 1.3 – 1.6 Nm (0.13 – 0.16 Kgm)

M5: 2.4 – 3.0 Nm (0.24 – 0.31 Kgm)

Terminal "B" of the magnetic switch

M8 Standard: 13.7 – 15.7 Nm (1.4 – 1.6 Kgm)

Corrosion-proof: 7.3 – 9.3 Nm (0.74 – 0.95 Kgm)

M10 Standard: 19.6 – 25.5 Nm (2.0 – 2.6 Kgm)

Corrosion-proof: 15.7 – 19.6 Nm (1.6 – 2.0 Kgm)

(4) Installing the starting motor

(4.1) When installing the starting motor back to the engine, always replace gaskets and O-rings with new parts.

Gasket: 6610-81-2210 (ϕ 108 series engines and up)

O-ring: 07000-02105 (ϕ 105 series engines)

07000-02095 (ϕ 95 series engines)

(4.2) Install the starting motor and reconnect all the connections which have been disconnected according to the above Section (1).

(a) Starting motor mounting bolts

M12: 74.5 – 90.2 Nm (7.6 – 9.2 Kgm)

M16: 245 – 308 Nm (25 – 31.5 Kgm)

(b) Terminal "B"

Refer to the above Section (3.1).

(4.3) Reconnect the negative terminal connection of the battery cable to the original state.

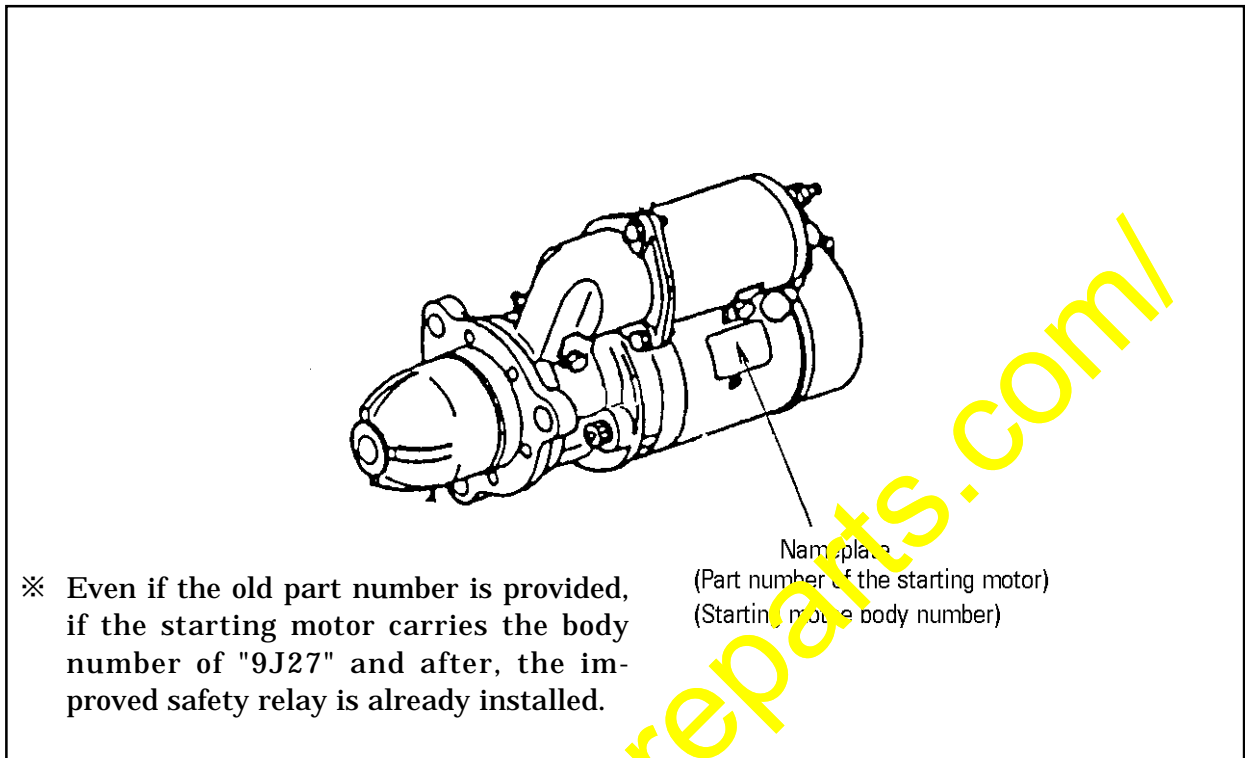
Function checks to perform after finishing the replacement work

Make the following checks

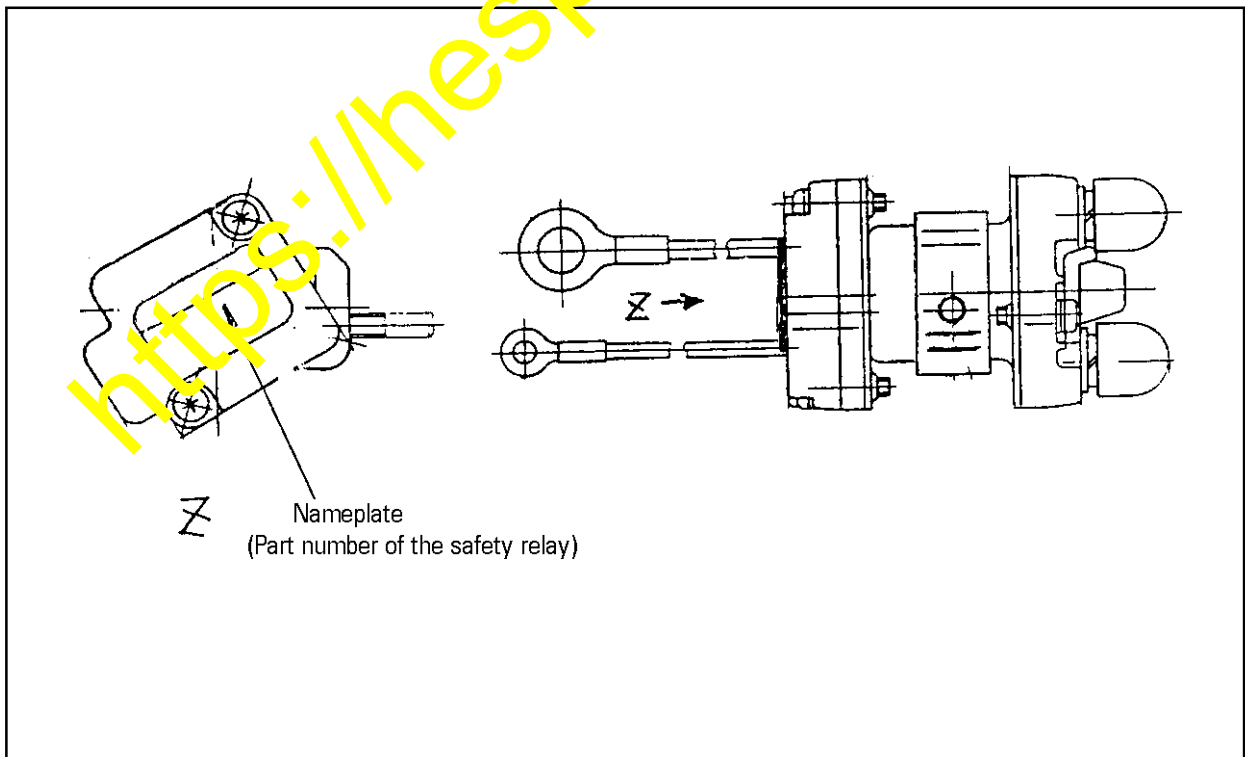
No.	Procedures	Check points
1	Start the engine by the usual manner (when the engine has started, release the hold of the starting switch) for 3 to 5 times.	Check if the starting motor rotates normally.
2	Running the engine at Lo-Idling revolution, turn the starting key to the "ST" position.	Check if creaking sound which occurs when the pinion projects to hit the ring gear is not heard. (Check the harness connections and the safety relay function.)

For identification of the improved parts, check the part number of the starting motor and the part number of the safety relay on respective nameplates.

Location of the nameplate on the starting motor



Location of the nameplate on the safety relay



Part number of the starting motor:	Current part number 600-813-4531	→	New part number 600-813-4532
Part number of the safety relay:	KD 0-25000-6521	→	KD 0-25000-6522

Machine models	Types	Machine models	Types
6D125-CJK	- 1	EG400B-L	- 2
BE-D65E	- 8	EG400BS	- 2
BE-GD605R	- 2	GD605A	- 3
BE-SA140AG	- 1	GD605A	- 3
D50	- 18	GD705A	- 4
D50A	- 17	GD705A	- 4A
D53	- 17	ID-D60E	- 8
D53A	- 18	ID-D65E	- 8
D53P	- 18	ID-D65P	- 8
D58E	- 1	ID-D75S	- 5
D58P	- 1	ID-D85ESS	- 1
D60A	- 8	S6D125-C1	- 1
D60A	- 11	S6D125-W1	- 1
D60A	- 1D	S6D125-V2	- 1
D60E	- 8	S6D140	- 1
D60F	- 8A	S6D140-G1	- 1
D60F	- 8B	S6D140-G2	- 1
D60P	- 8	S6D140-G3	- 1
D60P	- 11	S6D140-GD	- 1
D60P	- 1D	S6D140-GH	- 1
D60PL	- 8	S6D140-GJP	- 1
D60S	- 8	S6D140-GN	- 1
D63E	- 1	S6D140-GT	- 1
D63E	- 1A	S6D140-P	- 1
D65A	- 8	SA6D140A	- 1
D65A	- 11	SA6D140A-A1	- 1
D65A	- 1D	SA6D140A-G1	- 1
D65E	- 8	SA6D140A-G2	- 1
D65E	- 8D	SA6D140A-G3	- 1
D65P	- 8	SA6D140A-GA	- 1
D65P	- 11	SA6D140A-GB	- 1
D65P	- 1D	SA6D140A-GD	- 1
D65P	- 8C	SA6D140A-GH	- 1
D70LE	- 8	SA6D140A-GN	- 1
D70LE-JP	- 8	SA6D140A-GT	- 1
D75A	- 1	SA6D140A-M	- 1
D75S	- 5	SA6D140B	- 1
D83E	- 1	SA6D140B-A1	- 1
EG300	- 5	SA6D140B-G1	- 1
EG300B	- 5	SA6D140B-G2	- 1
EG300BS	- 5	SA6D140B-G3	- 1
EG300-L	- 5	SA6D140B-GA	- 1
EG350A-L	- 1	SA6D140B-GN	- 1
EG350B-L	- 1	SA6D140-M	- 1
EG400	- 2	SAA6D140-G1	- 1
EG400B	- 2	SAA6D140-G3	- 1
		WT250	- 1

	Current part number		New part number
Part number of the starting motor:	600-813-6420	→	600-813-6421
Part number of the safety relay:	KD 0-25000-7881	→	KD 0-25000-7822

Machine models	Types
D57S	- 1B
EG150BS	- 5
EG185B-L	- 1
J6D108E-C2	- 2
S6D108	- 1
S6D108-C2	- 1
S6D108-FG1	- 1
S6D108-G1	- 1
S6D108-G2	- 1
S6D108-G3	- 1
S6D108-GA	- 1
S6D108-GD	- 1
S6D108-P	- 1
S6D108-W2	- 1
SA6D108	- 1
SA6D108	1
SA6D108-C2	- 1
SA6D108-G1	- 1
SA6D108-G2	- 1
SA6D108-G3	- 1
SA6D108-GD	- 1
SA6D108-M	- 1
SA6D108-P	- 1

<https://imgspareparts.com/>

Part number of the starting motor:	Current part number 600-813-6610	→	New part number 600-813-6611
Part number of the safety relay:	KD 0-25000-7321	→	KD 0-25000-7322

Machine models	Types
D53	- 17
D53A	- 18
D53P	- 18
D58E	- 1
D58P	- 1
D60P	- 12
D60P	- 12
D65E	- 12
D65E	- 12
D65E-JP	- 12
D65EX	- 12
D65EX	- 12
D70LE	- 12
D70LE	- 12
D75S	- 5
D85ESS	- 2
D85ESS	- 2
D85ESS	- 2A
D85ESS	- 2A
D85ESS-JK	- 2
D85ESS-JP	- 2
D85ESS-JP	- 2
EG220BS	- 2
EG300BS	- 5
GD605A	- 5
GD705A	- 4A
HD205	- 5
H7255	- 5
HD205TN	- 5

Machine models	Types
J6D125E-C1	- 2
J6D125E-FH1	- 2
J6D125E-G3	- 2
J6D125E-GD	- 2
J6D125E-KC	- 2
J6D125E-P	- 2
J6D125E-W1	- 2
J6D140E-GD	- 2
S6D125-CJK	- 1
S6D125-G2	- 2
S6D125-G3	- 2
S6D125-G3	- 2
SA6D125-G2	- 2
SA6D125-G3	- 2
SA6D125-G1	- 2
SA6D125-G3	- 2
T6D125E-FH1	- 2
T6D125E-GD	- 2
T6D125E-P	- 2
WA450	- 3
WA450-AD	- 3
WA450L	- 3
WA470	- 3
WA470-DZ	- 3
WA470-HH	- 3
WA470-HH	- 3E
WA470-JP	- 3
WF450T	- 3

	Current part number		New part number
Part number of the starting motor:	600-813-6410	→	600-813-6411
Part number of the safety relay:	KD 0-25000-7871	→	KD 0-25000-7872

Machine models	Types
A6D108E-C2	- 2
EG150BS	- 5
GD611	- 1
J6D108E-A2	- 2
J6D108E-GD	- 2
J6D108E-GZ	- 2
PC300	- 5
PC300	- 6
PC300	- 5L
PC300-DC	- 5
PC300-DZ	- 6
PC300-JP	- 6
PC300-RT	- 6
PC340LC-KU	- 6
T6D108E-GD	- 2

Machine models	Types
T6D108E-W2	- 2
WA300	- 3
WA320	- 3
WA350	- 3
WA350	- 3T
WA380	- 3
WA380-HH	- 3
WA400	- 3
WA420	- 3
WA420-RT	- 3
WF350	- 3
WT250E	- 1
WU10SE	- 1
@WA350	- 3

	Current part number		New part number
Part number of the starting motor:	600-813-4650	→	600-813-4651
Part number of the safety relay:	KD 0-25000-6892	→	KD 0-25000-8370

Machine models	Types
GD505A	- 3
GD521	- 1
GD525A	- 1B
GD525A	- 1C
GD611	- 1
ID WA350	- 1
ID WA420	- 1
JA6L110-WNB	- 1
WA200	- 1
WA250	- 1

Machine models	Types
WA300	- 1
WA320	- *
WA320	- 1
WA350	- 1
WA350	- 1*
WA380	- 1
WA400	- *
WA400	- 1
WA400	- 1N
WA420	- 1

	Current part number		New part number
Part number of the starting motor:	600-813-4680	→	600-813-4681
Part number of the safety relay:	KD 0-25000-6892	→	KD 0-25000-8370

Machine models	Types
WA450	- 1
WA470	- 1
WA450	- 1*
WF450T	- 1

	Current part number		New part number
Part number of the starting motor:	600-813-4560	→	600-813-4561
Part number of the safety relay:	KD 0-25000-6521	→	KD 0-25000-6522

Machine models	Types
D40AM	- 5
D40P	- 5
D40PF	- 5
D41	- 5
D41E	- 5
D66S	- 1
S6D110	- 1
S6D110-A2	- 1
S6D110-G3	- 1
SA6D110-A2	- 1
SA6D110-G2	- 1
SA6D110-GD	- 1

	Current part number		New part number
Part number of the starting motor:	600-813-4790	→	600-813-4791
Part number of the safety relay:	KD 0-25000-6871	→	KD 0-25000-6872

Machine models	Types
GT240	- 1
LW250M	- 2
LW250	- 3

Part number of the starting motor:	Current part number 600-813-6620	→	New part number 600-813-6621
Part number of the safety relay:	KD 0-25000-8030	→	KD 0-25000-8031

Machine models	Types
LW250	- 5

Part number of the starting motor:	Current part number 600-813-7120	→	New part number 600-813-7121
Part number of the safety relay:	KD 0-25000-7970	→	KD 0-25000-7971

Machine models	Types
A6D170E-W2	- 2
BR1600JG	- 1
PC1100	- 6

Part number of the starting motor:	Current part number 600-813-3730	→	New part number 600-813-3731
Part number of the safety relay:	KD 0-25000-6831	→	KD 0-25000-6832

Machine models	Types
PC1000	- 1
BE-PC1000	- 1
SA6D170E-W2	- 1

Part number of the starting motor:	Current part number 600-813-7130	→	New part number 600-813-7131
Part number of the safety relay:	KD 0-25000-7974	→	KD 0-25000-8440

Machine models	Types
PC1100	- 6
PC1100HA	- 6

Part number of the starting motor:	Current part number 600-813-7140	→	New part number 600-813-7141
Part number of the safety relay:	KD 0-25000-7975	→	KD 0-25000-8460

Machine models	Types
PC1100	- 6

	Current part number		New part number
Part number of the starting motor:	600-813-3611	→	600-813-3612
Part number of the safety relay:	KD 0-25000-6831	→	KD 0-25000-6832

Machine models	Types
D85A	- 21
D85A	- 2B
D85	- 21
D135A	- 1
D375A	- 1
HD465	- 3
HD465	- 3C

	Current part number		New part number
Part number of the starting motor:	600-813-3740	→	600-813-3741
Part number of the safety relay:	KD 0-25000-7121	→	KD 0-25000-7122

Machine models	Types
D85A	- 21
D85A	- 2B
PC1000	- 1

	Current part number		New part number
Part number of the starting motor:	600-813-7220	→	600-813-7221
Part number of the safety relay:	KD 0-25000-7901	→	KD 0-25000-7902

Machine models	Types
D85A	- 2B

	Current part number		New part number
Part number of the starting motor:	600-813-7111	→	600-813-7112
Part number of the safety relay:	KD 0-25000-7970	→	KD 0-25000-7971

Machine models	Types
A6D170E-WJK	- 2
BE-B60	- 1
D275A	- 2
D375A	- 2
D375A	- 3
D85	- 21
D85A	- 21
D85A	- 2B
HD465	- 5
SA6D170-C2	- 1
SA6D170-W1	- 1
WA600	- 3
WA700	- 3
WA700-AP	- 1
WA700-AP	- 3

	Current part number		New part number
Part number of the starting motor:	600-813-7520	→	600-813-7521
Part number of the safety relay:	KD 0-25000-7324	→	KD 0-25000-8410

Machine models	Types
PC1100	- 6
PC1100-HA	- 6

	Current part number		New part number
Part number of the starting motor:	600-813-3710	→	600-813-3711
Part number of the safety relay:	KD 0-25000-6961	→	KD 0-25000-6962

Machine models	Types
WA600	- 1
WD600	- 1
WA700	- 1

	Current part number		New part number
Part number of the starting motor:	600-813-4943	→	600-813-4944
Part number of the safety relay:	KD 0-25000-7371	→	KD 0-25000-7372

Machine models	Types
SA6D125HD-R	- 1
SA6D125HD-R	- 1
SA6D125HD-R	- 1
SA6D125H-R	- 1
SA6D125H-R	- 1
SA6D125H-R	- 1
SA6D125H-R	- 1
SA6D125H-R	- 1
SA6D125H-R	- 1
SA6D125H-R	- 1
SA6D125H-R	- 1
SA6D125H-R	- 1
SA6D125H-R	- 1
SA6D140H-R	- 1

	Current part number		New part number
Part number of the starting motor:	600-813-4570	→	600-813-4571
Part number of the safety relay:	KD 0-25000-7121	→	KD 0-25000-7122

Machine models	Types
6M170B	- 1
EM679A-A	- 00
EM680A	- 1
EM680A-A	- 00
SA6D170A-M	- 1

	Current part number		New part number
Part number of the starting motor:	600-813-3510	→	600-813-3511
Part number of the safety relay:	KD 0-25000-6441	→	KD 0-25000-6442

Machine models	Types
S6D170-G2	- 1
S6D170-G3	- 1
SA6D170-A	- 1
SA6D170A-C2	- 1
SA6D170A-G1	- 1
SA6D170A-G2	- 1
SA6D170A-G3	- 1
SA6D170A-GD	- 1
SA6D170A-GH	- 1
SA6D170A-GN	- 1
SA6D170A-P	- 1
SA6D170-B	- 1
SA6D170B-C2	- 1
SA6D170B-G1	- 1
SA6D170B-G2	- 1
SA6D170B-G3	- 1
SA6D170B-GH	1
SA6D170B-P	- 1
SA6D170B-R	- 1
6N170-G1	- 1
SA6N170-G1	- 1

https://hespareparts.com/

	Current part number		New part number
Part number of the starting motor:	600-813-4931	→	600-813-4932
Part number of the safety relay:	KD 0-25000-7321	→	KD 0-25000-7322

Machine models	Types
A6D170E-W2	- 2
A6D170E-WJK	- 2
BE-B60	- 1
BR1600JG	- 1
D12V170-G1	- 1
D475A	- 2
D475A	- 3
HD465	- 5
HD785	- 2*
HD785	- 3
HD785	- 5
HD985	- 3
HD985	- 5
J12V140-WJK	- 1
PC1100	- 6
SA12N170-G1	1
SA12V140-C2	- 1
SA12V140-GD	- 1
SA12V170-G3	- 1
SA6D170-V1	- 1
SA12V140-W1	- 1
WA800	- 3
WA900	- 3
WD900	- 3



	Current part number		New part number
Part number of the starting motor:	600-813-4921	→	600-813-4922
Part number of the safety relay:	KD 0-25000-6892	→	KD 0-25000-8370

Machine models	Types
WA800	- 1
WA800	- 2
WA900	- 1
J12V140-GCK	- 1

Part number of the starting motor:	Current part number 600-813-3530	→	New part number 600-813-3531
Part number of the safety relay:	KD 0-25000-6562	→	KD 0-25000-6563

Machine models	Types
6D125	- 1
6D125-GD	- 1
6D125-GN	- 1
6N125-G1	- 1
EG125CNBS	- 1
EG300BS	- 5
EH090	- 1
GH320	- 1
GH320	- 2
HV380	- 2
S6D125-A2	- 1
S6D125-FG1	- 1
S6D125-FG2	- 1
S6D125-FH1	- 1
S6D125-G1	- 1
S6D125-G2	- 1
S6D125-G3	- 1
S6D125-GH	- 1
S6D125-GJP	- 1

Machine models	Types
S6D125-GN	- 1
S6D125-P	- 1
S6D125-W1	- 1
S6D125-W2	- 1
S6D125-W2	- 1
SA6D125	- 1
SA6D125-G1	- 1
SA6D125-G2	- 1
SA6D125-G3	- 1
SA6D125-GD	- 1
SA6D125-GH	- 1
SA6D125-GJ1	- 1
SA6D125-GJ2	- 1
SA6D125-P	- 1
SA6D125-R	- 1
SA6D125-W1	- 1
WT500	- 1
WT500	- 1J
WT500E	- 1

Part number of the starting motor:	Current part number 600-813-3630	→	New part number 600-813-3631
Part number of the safety relay:	KD 0-25000-8100	→	KD 0-25000-8102

Machine models	Types
BE-PC300	- 3
BE-PC650	- 3
CS210	- 1
GD605A	- 5
GD623A	- 1S
GD623A	- 1
GD623A-DZ	- 1
GD625A	- 1B
HD205	- 3
HS150S	- 8
HS150S	- 10
HS300LS	- 1
HS400DG	- 1

Machine models	Types
HU300A	- 1
HU400AS	- 1
PC1600	- 1R
PC1600	- 1F
PC300	- 3V
PC300	- 3A
PC400	- 3V
PC400	- 3A
PC650	- 3
S6D125-R	- 1
WS16S	- 3
WS23	- 2R
WS23	- 2F

	Current part number		New part number
Part number of the starting motor:	600-813-3280	→	600-813-3281
Part number of the safety relay:	KD 0-25000-6081	→	KD 0-25000-8111

Machine models	Types
D40A	- 3
D40AM	- 5
D40P	- 5
D40PF	- 5
D41	- 3
D41	- 5
D41E	- 3
D41E	- 5
EG125	- 2
EG125B	- 2
EG125BS	- 2
EG150	- 5
EG150B	- 5
EG150BS	- 5
GD505A	- 2
JV100A	- 1

Machine models	Types
S6D105-G2	- 1
S6D105-G3	- 1
S6D105-GD	- 1
S6D105-GJP	- 1
S6D110	- 1
S6D110-G2	- 1
S6D110-G3	- 1
SA6D110-G1	- 1
SA6D110-G2	- 1
SA6D110-G3	- 1
SA6D110-GD	- 1
SA6D110-GJP	- 1
SA6D110-GT	- 1
SA6D110-P	- 1
V90	- 2

	Current part number		New part number
Part number of the starting motor:	600-813-3670	→	600-813-3671
Part number of the safety relay:	KD 0-25000-8101	→	KD 0-25000-8450

Machine models	Types
D53	- 17
D53A	- 18
D60A	- 11
D65A	- 8
D65A	- 11
PC1600	- AF
PC1600	- AR
PC1600SP	- 1F
PC1600SP	- 1R

	Current part number		New part number
Part number of the starting motor:	600-813-3680	→	600-813-3681
Part number of the safety relay:	KD 0-25000-6911	→	KD 0-25000-6912

Machine models	Types
CS360	- 2
GC380	- 1
GS360	- 2
GD825A	- 1

	Current part number		New part number
Part number of the starting motor:	600-813-7610	→	600-813-7611
Part number of the safety relay:	KD 0-25000-7343	→	KD 0-25000-8420

Machine models	Types
D53	- 17
D53A	- 18
D65EX	- 12
PC650	-
PC750	- 6

	Current part number		New part number
Part number of the starting motor:	600-813-4670	→	600-813-4671
Part number of the safety relay:	KD 0-25000-7342	→	KD 0-25000-8340

Machine models	Types
BR500JG	- 1
BR200T	- 1
CS210	- 1
GH220	- 2
GT275S	- 1
JCD125E-CJK	- 2
PC1800	- 6F
PC1800	- 6R
PC400	- 5
PC400	- 6
PC400	- 5L

Machine models	Types
PC400-DC	- 5
PC400-DZ	- 6
PC400-JP	- 6
PC400ST	- 6
PC650	- 5
PC750	- 6
PC750-KU	- 6
S6D125-C2	- 1
SA6D125-C2	- 1
SA6D125-W1	- 1
SA6D140-A2	- 1

	Current part number		New part number
Part number of the starting motor:	600-813-3560	→	600-813-3561
Part number of the safety relay:	KD 0-25000-6521	→	KD 0-25000-6522

Machine models	Types
SA6D110-C1	- 1
SA6D110-C2	- 1

	Current part number		New part number
Part number of the starting motor:	600-813-3621	→	600-813-3622
Part number of the safety relay:	KD 0-25000-6871	→	KD 0-25000-6872

Machine models	Types
A12V140-G3	- 1
BE-PC1000	- 1
EG750A-L	- 1
EG750B-L	- 1
EPSA12V140	- 1
HV700	- 2
J12V140-GCK	- 1
PC1000	- 1
SA12V140	- 1
SA12V140-A2	- 1
SA12V140-G1	- 1
SA12V140-G2	- 1
SA12V140-G3	- 1
SA12V140-GA	- 1
SA12V140-GD	- 1
SA12V140-GH	- 1
SA12V140-GT	- 1
SA12V140-P	- 1
SA6D170B-C2	- 1

	Current part number		New part number
Part number of the starting motor:	600-813-3660	→	600-813-3661
Part number of the safety relay:	KD 0-25000-6871	→	KD 0-25000-6872

Machine models	Types
PC220	- 3*
PC280	- 3*
PF5	- 1
PF55L	- 1
PW200	- 1
PW210	- 1

	Current part number		New part number
Part number of the starting motor:	600-813-4780	→	600-813-4781
Part number of the safety relay:	KD 0-25000-7461	→	KD 0-25000-7462

Machine models	Types
6M108A	- 1
6M117A	- 1
6M117A	- 2
6M117A	- 3
6M117AL	- 2
6M125A	- 1
6M125A	- 2
6M137A	- 1
6M132A	- 2
6M132A	- 3
6M137A	- 1
6M137B	- 1
6M140A	- 1
6M140A	- 2
6M140A	- 3

	Current part number		New part number
Part number of the starting motor:	600-813-4770	→	600-813-4771
Part number of the safety relay:	KD 0-25000-7701	→	KD 0-25000-7702

Machine models	Types
6M160A	- 1
6M170A	- 1
6M170A	- 2
SA6D170A-G1	- 1
SA6D170B-R	- 1

	Current part number		New part number
Part number of the starting motor:	600-813-4580	→	600-813-4581
Part number of the safety relay:	KD 0-25000-6861	→	KD 0-25000-6862

Machine models	Types
EM665A	- 00

	Current part number		New part number
Part number of the starting motor:	600-813-4980	→	600-813-4981
Part number of the safety relay:	KD 0-25000-7461	→	KD 0-25000-7462

Machine models	Types
6M155A	- 2
6M108A	- 1
6M125A	- 1
6M132A	- 1
6M132A	- 2
6M132A	- 3
6M137A	- 1
6M137A	- 1Y
6M137B	- 1
6M140A	- 1
6M140A	- 2
6M140A	- 3
SA6D140A-GJ	- 1

	Current part number		New part number
Part number of the starting motor:	600-813-7310	→	600-813-7311
Part number of the safety relay:	KD 0-25000-7701	→	KD 0-25000-7702

Machine models	Types
PC1000	- 1
12M140A	- 1
SA12V140-M	- 1

	Current part number		New part number
Part number of the starting motor:	600-813-5810	→	600-813-5811
Part number of the safety relay:	KD 0-25000-7371	→	KD 0-25000-7372

Machine models	Types
SA6D125H-R	- 1

	Current part number		New part number
Part number of the starting motor:	600-813-4120	→	600-813-4121
Part number of the safety relay:	KD 0-25000-6951	→	KD 0-25000-6953

Machine models	Types
BE-PC220	- 3
BP500	- 3
PC220	- 3*
PC220	- 3D
PF5	- 1
PF55L	- 1
PW200	- 1
PW210	- 1

	Current part number		New part number
Part number of the starting motor:	600-813-9310	→	600-813-9311
Part number of the safety relay:	KD 0-25000-8280	→	KD 0-25000-8281

Machine models	Types
D155AX	- 3
D155AX	- 5

	Current part number		New part number
Part number of the starting motor:	600-813-7530	→	600-813-7531
Part number of the safety relay:	KD 0-25000-7325	→	KD 0-25000-8470

Machine models	Types
PC1100	- 6

	Current part number		New part number
Part number of the starting motor:	600-813-3390	→	600-813-3391
Part number of the safety relay:	KD 0-25000-6900	→	KD 0-25000-6902

Machine models	Types
BE-WA200	- 1
GD505A	- 3
GD521	- 1
GD611	- 1
GD611A-DZ	- 1
GD661A	- 1
GD661A-DZ	- 1
WA200	- 1
WA250	- 1
WA300	- *
WA300	- 1
WA320	- *
WA370	- 1
WU105	- 1

	Current part number		New part number
Part number of the starting motor:	600-813-3720	→	600-813-3721
Part number of the safety relay:	KD 0-25000-6893	→	KD 0-25000-8380

Machine models	Types
WA200	- 1

	Current part number		New part number
Part number of the starting motor:	600-813-4550	→	600-813-4551
Part number of the safety relay:	KD 0-25000-6831	→	KD 0-25000-6832

Machine models	Types
HD200D	- 3

Part number of the starting motor:	Current part number 600-813-3320	→	New part number 600-813-3321
Part number of the safety relay:	KD 0-25000-6951	→	KD 0-25000-6953

Machine models	Types
6D95L	- 1
6D95L-G1	- 1
6D95L-W1	- 1
CL60	- 2
GD305	- 1
GD313A	- 1
GD355	- 1
GD405	- 2
GD461A	- 1
GD510R	- 1
GD511	- 1
GD511A-DZ	- 1
PC100	- 3
PC120	- 3
PC120	- 3U
PC150	- 3
PC180	3
PC180	- 3U
PF3	- 1
PF3W	- 1
PW100	- 3
PW100	- 3A
S6D95L	- 1
S6D95L-C1	- 1
S6D95L-C3	- 1
S6D95L-G1	- 1
S6D95L-GT	- 1

<https://mespareparts.com/>

Part number of the starting motor:	Current part number 600-813-4422	→	New part number 600-813-4423
Part number of the safety relay:	KD 0-25000-7280	→	KD 0-25000-7282

Machine models	Types
4A95L-W1	- 1
4A95L-W1	- 1
A6D95LE-PHS	- 1
ID-PC100	- 5
ID-PC200	- 5
JV80	- 1
KE230	- 1
PC100	- 5
PC100	- 6
PC100-DE	- 5
PC100-JP	- 6
PC100N	- 6
PC120	- 5
PC120	- 5
PC120-DE	- 5
PC128UU	- 1
PC130	- 5
PC150	- 5
PC200	- 5
PC200	- 6
PC200	- 6T
PC200-AC	- 6
PC200-DA	- 5
PC200-DB	- 5
PC200-JP	- 6
PC210	- 5
PC220	- 5
PC220	- 6
PC220-DB	- 5
PC220LC-AC	- 6
PW130-KU	- 6
S4D95L-C1	- 1
S4D95L-C2	- 1
S4D95L-W2	- 1
S6D95L-C2	- 1
TP6D95L	- 1

	Current part number		New part number
Part number of the starting motor:	600-813-3260	→	600-813-3261
Part number of the safety relay:	KD 0-25000-6081	→	KD 0-25000-8111

Machine models	Types
6D125-G3	- 1
BE-SA125G	- 1
EG220	- 2
EG220A-L	- 2
EG220B	- 2
EG220B-L	- 2
EG220BS	- 2
EG220-L	- 2
EG275	- 2
EG275B	- 2
EG300B-L	- 5
S6D125-G1	- 1
S6D125-G2	- 1
S6D125-G3	- 1
S6D125-GA	- 1
S6D125-GD	- 1
S6D125-GT	- 1
S6D140	- 1
S6D140-G3	- 1
SA6D125	- 1
SA6D125-G1	- 1
SA6D125-G2	- 1
SA6D125-G3	- 1
SA6D125-GD	- 1
SA6D125-GT	- 1
SA6D125-P	- 1
SA6D140A-G3	- 1
SA6D140B	- 1
SA6D140B-G3	- 1

	Current part number		New part number
Part number of the starting motor:	600-813-4270	→	600-813-4271
Part number of the safety relay:	KD 0-25000-6561	→	KD 0-25000-6563

Machine models	Types
EG150A-L	- 5
EG150B-L	- 5
EG150-L	- 5
S6D105-G2	- 1
S6D105-G3	- 1
SA6D110-G1	- 1
SA6D110-G2	- 1
SA6D110-G3	- 1
SA6D110-GA	- 1
SA6D110-GT	- 1

	Current part number		New part number
Part number of the starting motor:	600-813-4111	→	600-813-4112
Part number of the safety relay:	KD 0-25000-6072	→	KD 0-25000-6073

Machine models	Types
6D105-FE1	- 1
6D105-FE2	- 1
FD100E	- 5

	Current part number		New part number
Part number of the starting motor:	600-813-4290	→	600-813-4291
Part number of the safety relay:	KD 0-25000-6182	→	KD 0-25000-6183

Machine models	Types
6M105A	- 1
6M110A	- 1
EM640A-B	- 00
EM645A-B	- 00

	Current part number		New part number
Part number of the starting motor:	600-813-3310	→	600-813-3311
Part number of the safety relay:	KD 0-25000-6081	→	KD 0-25000-8111

Machine models	Types
6D95L	- 1
6D95L-G1	- 1
6D95L-G2	- 1
6D95L-G3	- 1
6D95L-GJP	- 1
S6D95L	- 1
S6D95L-G1	- 1
S6D95L-G2	- 1
S6D95L-G3	- 1
S6D95L-GA	- 1
S6D95L-GD	- 1
S6D95L-GJP	- 1
S6D95L-GN	- 1

	Current part number		New part number
Part number of the starting motor:	600-813-3360	→	600-813-3361
Part number of the safety relay:	KD 0-25000-6081	→	KD 0-25000-8111

Machine models	Types
CD50	- 1
S4D95L	- 1
S4D95L-C1	- 1
S6D95L	- 1
S6D95L-C1	- 1

	Current part number		New part number
Part number of the starting motor:	600-813-3230	→	600-813-3231
Part number of the safety relay:	KD 0-25000-6081	→	KD 0-25000-8111

Machine models	Types
PW150	- 1

	Current part number		New part number
Part number of the starting motor:	600-813-3460	→	600-813-3461
Part number of the safety relay:	KD 0-25000-6900	→	KD 0-25000-6902

Machine models	Types
ID-WA180	- 1
WA100	- 1
WA120	- 1
WA150	- 1
WA180	- 1
WT150	- 1

	Current part number		New part number
Part number of the starting motor:	600-813-6210	→	600-813-6211
Part number of the safety relay:	KD 0-25000-7280	→	KD 0-25000-7282

Machine models	Types
WA100	- 3
WA150	- 3
WA200	- 3

	Current part number		New part number
Part number of the starting motor:	600-813-4350	→	600-813-4351
Part number of the safety relay:	KD 0-25000-7051	→	KD 0-25000-8400


Machine models	Types
D31	- 18
D31	- 20
D37	- 2
D37	- 5

	Current part number		New part number
Part number of the starting motor:	600-813-3350	→	600-813-3351
Part number of the safety relay:	KD 0-25000-7050	→	KD 0-25000-8390


Machine models	Types
D31	- 18
D31	- 20
D37	- 2
D37	- 5

Part number of the starting motor:	Current part number 600-813-4360	→	New part number 600-813-4361
Part number of the safety relay:	KD 0-25000-7450	→	KD 0-25000-7452


Machine models	Types
6M105A	- 2
6M108A	- 1
6M108A	- 1Y
6M117A	- 1
6M117A	- 2
6M117A	- 3
6M117AL	- 2
6M122A	- 1
6M122B	- 1
6M125A	- 1
6M125A	- 2
SA6D108-M	- 1

Part number of the starting motor:	Current part number 600-813-3190	→	New part number  600-813-3191
Part number of the safety relay:	KD 0-25000-8024	→	KD 0-25000-8500


Machine models	Types
6D95L	- 1
6D95L-G2	- 1
6D95L-G3	- 1
6D95L-GD	- 1
EC85BS	- 1
S6D95L	- 1
S6D95L-G2	- 1
S6D95L-G3	- 1
S6D95L-GD	- 1

	Current part number		New part number
Part number of the starting motor:	600-813-3130	→	 600-813-3131
Part number of the safety relay:	KD 0-25000-6084	→	KD 0-25000-8500


Machine models	Types
4D95L-C1	- 1
4D95L-G1	- 1
4D95L-G2	- 1
4D95L-G3	- 1
4D95L-GD	- 1
4D95L-GJP	- 1
4D95L-GT	- 1
4D95LW-G3	- 1
PC60	- 5
PC75UU	- 1
PC80	- 1
PC80	- 3
PW60	- 2
PW70	- 1
PW70	- G

	Current part number		New part number
Part number of the starting motor:	600-813-4440	→	 600-813-4441
Part number of the safety relay:	KD 0-25000-6084	→	KD 0-25000-8500

Machine models	Types
GD510R	- 1
ID-GD510R	- 1

	Current part number		New part number
Part number of the starting motor:	600-813-4411	→	 600-813-4412
Part number of the safety relay:	KD 0-25000-7770	→	KD 0-25000-7771

Machine models	Types
4D95L-C2	- 1
4D95LE-C2	- 1
4D95L-P	- 1
GU60	- 1
LC605	- 2
P146	- 1
PC60	- 6
PC60	- 7
PC60	- 6B
PC60	- 7E
PC70	- 6
PC75UU	- 2E
PC75UU	- 2
PC90	- 1
PCB7U	- 1

	Current part number		New part number
Part number of the starting motor:	600-813-3171	→	 600-813-3172
Part number of the safety relay:	KD 0-25000-6970	→	KD 0-25000-6972

Machine models	Types
D20	- 5K
D20	- 6
D20	- 7
D21	- 6
D21	- 7
WA50	- 1

List of serial numbers of the applicable machines

No.	Chassis types (Engine types)	Already shipped machines	Already improved newly produced machines		Remarks	
		Chassis numbers	Chassis numbers	Starting from		
		Engine numbers (Jun. '98 – Sept. '99 production)	Engine numbers			
1	DCA40PK (4D95L)	– #206825 – #206974	– #206975 –	} Next production –		
2	DCA40SSEK (4D95L)	– #206825 – #206974	– #206975 –			
3	EM436 (4D95L)	– #184507 – #189421	– #189422 –			
4	DCA30SSEK (4D95L-W-1)	– #206793 – #206974	– #206975 –			
5	EG33-1 (4D95L-W-1)	– #206833 – #206994	– #206995 –			
6	EG33BS-1 (4D95L-W-1)	– #206833 – #206994	– #206995 –			
7	WA70-V1 (4D95L-W-1)	– #206772 – #206974	– #206975 –			
8	EM436A (SA4D95L)	– #189399 – #189421	– #189422 –			
9	D37-5 (6D95L-1)	– #167440 – #168174	– #168175 –			
10	DCA60SSEK (6D95L-1)	– #167422 – #168174	– #168175 –			
11	EG60B-1 (6D95L-1)	– #167422 – #168174	– #168175 –			
12	EG60BS-1 (6D95L-1)	– #167422 – #168174	– #168175 –			
13	PW150-1 (6D95L-1)	– #167430 – #168174	– #168220 –		Oct. 6 –	
14	SD23 (6D95L-1)	– #167403 – #168174	– #168175 –		Next produc- tion –	
15	TP6D95L-1 (6D95L-1)	– #167379 – #168208	– #168725 –		Oct. 22 –	
16	WA100-3 (6D95L-1)	– #167378 – #168020	– #168021 –		} Next production –	
17	GD50-1S (S6D95L-1)	– #167206 – #168197	– #168198 –			
18	GD511R-1 (S6D95L-1)	– #167257 – #168255	– #168256 –		Nov. 18 –	
19	GD511A-DZ-1 (S6D95L-1)	– #168038 – #168125	– #168256 –		Next produc- tion –	For Changlin, China
20	DCA125PK (S6D105)	– #121490 – #121787	– #121788 –		} Oct. 13 –	
21	DCA125SPK (S6D105)	– #121490 – #121787	– #121788 –			
22	EG125B-2 (S6D105)	– #121490 – #121787	– #121788 –			

※ Since the chassis numbers listed above are yet to be confirmed, deem them as a reference information.

List of serial numbers of the applicable machines

No.	Chassis types (Engine types)	Already shipped machines		Already improved newly produced machines		Remarks
		Chassis numbers		Chassis numbers		
		Engine numbers (Jun. '98 – Sept. '99 production)		Engine numbers		
23	GD521A-1V1 (S6D105)	–	–	–	–	Next production –
		#121490 – #121785	#121786 –			
24	GD611A-1V1 (S6D105)	–	–	–	–	Next production –
		#121490 – #121787	#121788 –			
25	GD661A-1V1 (S6D105)	–	–	–	–	Oct. 25 –
		#121401 – #121795	#121796 –			
26	PW200-1 (S6D105)	–	–	–	–	
		#121398 – #121774	#121775 –			
27	6M105A-1 (SA6D105)	–	–	–	–	
		#119000 – #119840	#119841 –			
28	WA350-V1 (S6D110)	–	–	–	–	
		#68754 – #68949	#68950 –			
29	6M110A-1 (SA6D110)	–	–	–	–	
		#68124 – #68949	#68950 –			
30	DCA150PK (SA6D110)	–	–	–	–	Next production –
		#68760 – #68949	#68950 –			
31	DPS750SS (SA6D110)	–	–	–	–	
		#68760 – #68949	#68950 –			
32	WA380-1 (SA6D110)	–	–	–	–	
		#68754 – #68948	#68950 –			
33	WA400-BEML (SA6D110)	–	–	–	–	For B.M.L, India
		#68757 – #68948	#68950 –			
34	WA400-1 (SA6D110)	–	–	–	–	
		#68755 – #68943	#68950 –			
35	D57S-1B (S6D108-1)	–	–	–	–	Nov. 18 –
		#29408 – #32732	#32733 –			
36	DCA150SPK (S6D108-1)	–	–	–	–	Nov. 18 –
		#29408 – #32732	#32733 –			
37	WA320-3 (S6D108-1)	–	–	–	–	Oct. 19 –
		#53001 – #54049 #29251 – #32569	#54050 – #32570 –			
38	WA380-3 (S6D108-1)	–	–	–	–	Nov. 1 –
		#53112 – #54039 #29258 – #32299	#54040 – #32603 –			
39	WA300-RF-3 (S6D108-1)	–	–	–	–	Nov. 1 –
		#29416 – #32299	#32603 –			
40	DCA150SPKE (S6D108E-2)	–	–	–	–	Nov. 18 –
		#29408 – #32732	#32733 –			
41	PC300-DC-5	–	–	–	–	Next production –
		#28458 – #32437	#32438 –			
42	PC300-DZ-6	–	–	–	–	Oct. 4 –
		#28458 – #32452	#32453 –			
43	EG150BS-5 (S6D108E-2)	–	–	–	–	Next production –
		#28720 – #32644	#32645 –			
44	T6D108E-W2 (S6D108E-2)	–	–	–	–	Nov. 9 –
		#28720 – #32644	#32645 –			

※ Since the chassis numbers listed above are yet to be confirmed, deem them as a reference information.

List of serial numbers of the applicable machines

No.	Chassis types (Engine types)	Already shipped machines		Already improved newly produced machines		Remarks
		Chassis numbers		Chassis numbers		
		Engine numbers (Jun. '98 – Sept. '99 production)		Engine numbers		
45	WA300-3 (S6D108E-2)	#53001 – #55028		#55029 –		Oct. 4 –
		#28720 – #32405		#32406 –		
46	WU10S-1 (S6D108E-2)	#10001 – #10119		#10120 –		Next production –
		#28720 – #32045		#32046 –		
47	6M105A-2 (SA6D108)	–		–		} Oct. 29 –
		#21184 – #21602		#21603 –		
48	6M108A-2 (SA6D108)	–		–		} Oct. 29 –
		#21184 – #21602		#21603 –		
49	AUSTOFT (SA6D108)	–		–		} Next production –
		#21503 – #32659		#32660 –		
50	DCA180SPK (SA6D108)	–		–		} Next production –
		#21503 – #32659		#32660 –		
51	OHARASA108 (SA6D108)	–		–		} Next production –
		#29404 – #32659		#32660 –		
52	WA420-3 (SA6D108)	#53122 – #54110		#54111 –		} Next production –
		#29264 – #32236		#32237 –		
53	WT250E-1 (SA6D108)	–		–		} Nov. 5 –
		#29275 – #32664		#32665 –		
54	DCA180SPKE (SA6D108E-2)	–		–		} Oct. 1 –
		#29491 – #32415		#32416 –		
55	J6D108E-C2 (SA6D108E-2)	–		–		} Oct. 1 –
		#29491 – #32426		#32427 –		
56	WA350-3 (SA6D108E-2)	#53001 – #55021		#55022 –		Oct. 8 –
		#29491 – #32425		#32473 –		
57	A6D108E-C2 (SAA6D108E-2)	–		–		Oct. 14 –
		#29491 – #32466		#32558 –		
58	CD110R-1 (SAA6D108E-2)	#1001 – #1289		#1290 –		Oct. 5 –
		#29206 – #32388		#32486 –		
59	PC300-6 (SAA6D108E-2)	#33170 – #33806		#33807 –		} Oct. 1 –
		#29343 – #32436		#32437 –		
60	PC350-3 (SAA6D108E-2)	#12001 – #12458		#12459 –		} Oct. 1 –
		#29343 – #32436		#32437 –		
61	PC300R1-6 (SAA6D108E-2)	–		–		Oct. 7 –
		#29668 – #32488		#32489 –		
62	PC340-6 (SAA6D108E-2)	–		–		Oct. 5 –
		#29343 – #32444		#32445 –		
63	WA400-3 (SAA6D108E-2)	#53001 – #55005		#55006 –		Oct. 8 –
		#29485 – #32400		#32527 –		
64	D60E-8 (6D125)	–		–		Oct. 18 –
		#76287 – #81725		#81726 –		
65	NTT-RA-NAG (6D125)	–		–		} Oct. 8 –
		#76287 – #81630		#81631 –		
66	NTT-SU-NAG (6D125)	–		–		} Oct. 8 –
		#76287 – #81630		#81631 –		

※ Since the chassis numbers listed above are yet to be confirmed, deem them as a reference information.

List of serial numbers of the applicable machines

No.	Chassis types (Engine types)	Already shipped machines		Already improved newly produced machines		Remarks
		Chassis numbers		Chassis numbers		
		Engine numbers (Jun. '98 – Sept. '99 production)		Engine numbers		
67	D53-17 (6D125E-2)		#75787 – #81509	#81510 –	} Next production –	
68	D53A-18 (6D125E-2)	–	#75787 – #81511	#81512 –		
69	D53P-18 (6D125E-2)	–	#75787 – #81511	#81734 –	} Oct. 14 –	
70	D58E-1 (6D125E-2)	–	#75787 – #81630	#81631 –		
71	D58P-1 (6D125E-2)	–	#75787 – #81630	#81631 –	} Oct. 8 –	
72	D65E-12 (6D125E-2)	#62756 – #63205	#76316 – #81630	#63206 – #81631 –		
73	GD605A-5 (6D125E-2)		#76210 – #81630	#81631 –	} Next production –	
74	D65EX-12 (S6D125)	#62001 – #63223	#75972 – #81630	#63224 – #81631 –		
75	DCA220PK (S6D125)	–	#76287 – #81630	#81631 –	} Oct. 8 –	
76	DCA220SPK (S6D125)	–	#76287 – #81630	#81631 –		
77	DSG-200 (S6D125)	–	#76287 – #81630	#81631 –	} Oct. 8 –	
78	GD705A-4 (S6D125)	–	#76294 – #81630	#81631 –		
79	HD205-3 (S6D125)	–	#76210 – #81630	#81631 –	} Oct. 8 –	
80	HITA-S125 (S6D125)	–	#76287 – #81630	#81631 –		
81	IMS-TCG (S6D125)	–	#76287 – #81630	#81631 –	} Oct. 8 –	
82	MOR-S6D125 (S6D125)	–	#76287 – #81630	#81631 –		
83	NTT-R-TCG (S6D125)	–	#76287 – #81630	#81631 –	} Oct. 8 –	
84	NTT-SU-TCG (S6D125)	–	#76287 – #81630	#81631 –		
85	PC400-5 (S6D125)	–	#76287 – #81722	#81723 –	} Oct. 8 –	
86	PC400-DC-5 (S6D125)	–	#76083 – #81425	#81426 –		
87	S6D125-G1 (S6D125)	–	#76287 – #81722	#81723 –	} Next production –	
88	S6D125-G2 (S6D105)	–	#76287 – #81722	#81723 –		

※ Since the chassis numbers listed above are yet to be confirmed, deem them as a reference information.

List of serial numbers of the applicable machines

No.	Chassis types (Engine types)	Already shipped machines		Already improved newly produced machines		Remarks
		Chassis numbers		Chassis numbers		
		Engine numbers (Jun. '98 – Sept. '99 production)		Engine numbers		
89	TIY-TCG (S6D125)	–	–	–	–	Next production –
		#76287 – #81722	#81723 –			
90	WA470-JK-3 (S6D125)	–	–	–	–	Oct. 27–
		#75905 – #81876	#81877 –			For KI
91	WF450T-1 (S6D125)	–	–	–	–	Oct. 7 –
		#75905 – #81653	#81654 –			
92	S125-G2-2 (S6D125)	–	–	–	–	
		#75905 – #81653	#81654 –			
93	EG220B-2 (S6D125)	–	–	–	–	Next production –
		#75905 – #81653	#81654 –			
94	D60P-12 (S6D125E-2)	–	–	–	–	
		#76190 – #81638	#81639 –			
95	D65EX-12 (S6D125E-2)	–	–	–	–	Oct. 1 –
		#76190 – #81638	#81639 –			
96	D85-21 (S6D125E-2)	–	–	–	–	Oct. 13 –
		#76190 – #81694	#81695 –			
97	DCA220SPKE (S6D125E-2)	–	–	–	–	Oct. 4 –
		#76287 – #81651	#81652 –			
98	EG220BS-2 (S6D125E-2)	–	–	–	–	Next production –
		#76287 – #81883	#81884 –			
99	GD705A-4 (S6D125E-2)	–	–	–	–	Nov. 1 –
		#76323 – #81883	#81884 –			
100	LW250-5 (S6D125E-2)	–	–	–	–	Nov. 4–
		#76218 – #82012	#82013 –			
101	T6D125E-P (S6D125E-2)	–	–	–	–	Next production –
		#76218 – #82012	#82013 –			
102	6M125A-1 (SA6D125)	–	–	–	–	Oct. 26 –
		#60001 – #63739	#63740 –			
103	6M125A-2 (SA6D125)	–	–	–	–	
		#10001 – #10079	#10080 –			
104	ASK-TA-1 (SA6D125)	–	–	–	–	
		#60001 – #63739	#63740 –			
105	DCA275SPK (S6D125)	–	–	–	–	
		#60001 – #63739	#63740 –			
106	DCA275SPK (SA6D125)	–	–	–	–	Next production –
		#60001 – #63739	#63740 –			
107	DSG-250 (SA6D125)	–	–	–	–	
		#60001 – #63739	#63740 –			
108	HITA-SA125 (SA6D125)	–	–	–	–	
		#60001 – #63739	#63740 –			
109	NISSHA (SA6D125)	–	–	–	–	
		#60001 – #63739	#63740 –			
110	NTT-RR-TAG (SA6D125)	–	–	–	–	
		#60001 – #63739	#63740 –			

※ Since the chassis numbers listed above are yet to be confirmed, deem them as a reference information.

List of serial numbers of the applicable machines

No.	Chassis types (Engine types)	Already shipped machines		Already improved newly produced machines		Remarks
		Chassis numbers		Chassis numbers		
		Engine numbers (Jun. '98 – Sept. '99 production)		Engine numbers		
111	NTT-SU-TAG (SA6D125)	–	–	–	–	} Next production –
		#60001 – #63739	#63740 –			
112	SA6D125-G1 (SA6D125)	–	–	–	–	
		#60001 – #63739	#63740 –			
113	SA6D125-G2 (SA6D125)	–	–	–	–	
		#60001 – #63739	#63740 –			
114	SA6D125-R (SA6D125)	–	–	–	–	
		#60001 – #63739	#63740 –			
115	SWH-SA125 (SA6D125)	–	–	–	–	
		#60001 – #63739	#63740 –			
116	UT-TAG (SA6D125)	–	–	–	–	
		#60001 – #63739	#63740 –			
117	JR125-SI (SA6D125-H)	–	–	–	–	} Oct. 6 –
		#76314 – #81628	#81629 –			
118	JR125H-DS (SA6D125-H)	–	–	–	–	
		#76314 – #81628	#81629 –			
119	JR125-M/C (SA6D125H-R)	–	–	–	–	} Next production –
		#76229 – #81628	#81629 –			
120	DCA300SPKE (SA6D125E-2)	–	–	–	–	} Next production –
		#76314 – #80604	#80605 –			
121	EG300BS-5E (SA6D125E-2)	–	–	–	–	} Next production –
		#76229 – #81628	#81629 –			
122	GH320-2-E (SA6D125E-2)	–	–	–	–	} Oct. 6 –
		#80001 – #81666	#81697 –			
123	HD255-5 (SA6D125E-2)	–	–	–	–	} Next production –
		#76241 – #81871	#81872 –			
124	J6D125E-C1 (SA6D125E-2)	–	–	–	–	} Next production –
		#76092 – #81871	#81872 –			
125	J6D125ECJK (SA6D125E-2)	–	–	–	–	} Next production –
		#76092 – #81871	#81872 –			
126	PC400-6 (SA6D125E-2)	#32001 – #32343	#32344 –	–	–	} Oct. 1 –
		#76092 – #81664	#81665 –			
127	PC400-AC-3 (SA6D125E-2)	–	–	–	–	} Next production –
		#76538 – #81425	#81426 –			
128	WA450-3 (SA6D125E-2)	#64001 – #65003	#65004 –	–	–	} Oct. 26 –
		#76191 – #81871	#81872 –			
129	WA450-AD-3 (SA6D125E-2)	–	–	–	–	} Next production –
		#76256 – #82018	#82019 –			
130	WA470-DZ-3 (SA6D125E-2)	–	–	–	–	} Nov. 5 –
		#77508 – #82018	#82019 –			
131	WA470-HH3E (SA6D125E-2)	–	–	–	–	} Oct. 1 –
		#76924 – #81658	#81659 –			
132	WF450T-3-E (SA6D125E-2)	–	–	–	–	} Oct. 4 –
		#70001 – #81653	#81654 –			

※ Since the chassis numbers listed above are yet to be confirmed, deem them as a reference information.

List of serial numbers of the applicable machines

No.	Chassis types (Engine types)	Already shipped machines		Already improved newly produced machines		Remarks
		Chassis numbers		Chassis numbers		
		Engine numbers (Jun. '98 – Sept. '99 production)		Engine numbers		
133	SAA6D125G3 (SAA6D125-2)	–		–		Oct. 4 –
		#70001 – #81678		#81679 –		
134	DCA300PK (S6D140)	–		–		Nov. 17 –
		#20001 – #27571		#27572 –		
135	DCA300SPK (S6D140)	–		–		} Next production –
		#20001 – #27571		#27572 –		
136	DSG280 (S6D140)	–		–		} Next production –
		#20001 – #27571		#27572 –		
137	EG300B-5 (S6D140)	–		–		} Next production –
		#20001 – #27571		#27572 –		
138	GS360-2 (S6D140)	–		–		Oct. 1 –
		#20001 – #27086		#27447 –		
139	HITAC-HI (S6D140)	–		–		} Next production –
		#20001 – #27571		#27572 –		
140	S6D140-G1 (S6D140)	–		–		} Next production –
		#20001 – #27571		#27572 –		
141	S6D140-G2 (S6D140)	–		–		} Next production –
		#20001 – #27571		#27572 –		
142	S6D140-P (S6D140)	–		–		} Next production –
		#20001 – #27571		#27572 –		
143	WA500-1V2 (S6D140)	–		–		} Next production –
		#25899 – #27549		#27550 –		
144	GD825A-2-E (S6D140E-2)	–		–		Oct. 5 –
		#25875 – #27453		#27454 –		
145	LW500-1 (S6D140E-2)	–		–		Nov. 10 –
		#25284 – #27549		#27550 –		
146	WA500-3 (S6D140E-2)	–		–		Oct. 5 –
		#25838 – #27470		#27471 –		
147	6M137A-1 (SA6D140)	–		–		Oct. 29 –
		#10001 – #10063		#10064 –		
148	6M140-1 (SA6D140)	–		–		Next production –
		#10104 – #10147		#10148 –		
149	6M140A-2 (S6D140)	–		–		Oct. 20 –
		#25782 – #22263		#22264 –		
150	6M140A-3 (SA6D140)	–		–		} Next production –
		#10104 – #10147		#10148 –		
151	ASK-MARINE (SA6D140)	–		–		} Next production –
		#25782 – #27484		#27485 –		
152	ASK-SA140 (SA6D140)	–		–		} Next production –
		#25782 – #27484		#27485 –		
153	DCA400SPK (SA6D140)	–		–		Oct. 7 –
		#25782 – #27484		#27485 –		
154	EG400BS-2 (SA6D140)	–		–		Next production –
		#25782 – #27484		#27485 –		

※ Since the chassis numbers listed above are yet to be confirmed, deem them as a reference information.

List of serial numbers of the applicable machines

No.	Chassis types (Engine types)	Already shipped machines	Already improved newly produced machines		Remarks
		Chassis numbers	Chassis numbers	Starting from	
		Engine numbers (Jun. '98 – Sept. '99 production)	Engine numbers		
155	GC380F-2 (SA6D140)	– #25755 – #27484	– #27485 –	} Next production –	
156	PC1600-1RV (SA6D140)	#10001 – #10200 #20001 – #27329	#10201 – #27330 –		
157	PC1600-1V (SA6D140)	#10001 – #10200 #20001 – #27329	#10201 – #27330 –		
158	SA6D140AG1 (SA6D140)	– #20001 – #27464	– #27465 –	} Oct. 6 –	
159	SA6D140AGD (SA6D140)	– #20001 – #27464	– #27465 –		
160	TAT-SA140A (SA6D140)	– #20001 – #27464	– #27465 –		
161	TKY-SA140A (SA6D140)	– #20001 – #27464	– #27465 –		
162	TKY-SA140B (SA6D140)	– #20001 – #27464	– #27465 –		
163	HITAC-A-HI (SA6D140A)	– #20001 – #27464	– #27465 –		
164	SA140A-G2 (SA6D140A)	– #20001 – #27464	– #27465 –		
165	SA6D140AGN (SA6D140A)	– #20001 – #27464	– #27465 –		
166	NTT-R.RA-B (SA6D140B)	– #20001 – #27464	– #27465 –		
167	NTT-SU-B (SA6D140B)	– #20001 – #27464	– #27465 –		
168	SA140B-G1 (SA6D140B)	– #20001 – #27464	– #27465 –		
169	SA140B-G2 (SA6D140B)	– #20001 – #27464	– #27465 –		
170	PC1600SP1 (SA6D140E-2)	#10001 – #10200 #20001 – #27329	#10201 – #27330 –	} Next produc- tion –	
171	PC1600SP2 (SA6D140E-2)	#10001 – #10200 #20001 – #27329	#10201 – #27330 –		
172	6M137A-1 (SA6D140E-2)	– #10001 – #10065	– #10066 –	Oct. 19 –	
173	D155AX-3-E (SA6D140E-2)	#61001 – #61080 #25887 – #27455	#61081 – #27456 –	Oct. 1 –	
174	D155AX-5 (SA6D140E-2)	#70001 – #70154 #25887 – #27478	#70155 – #27479 –	Oct. 25 –	
175	J6D140E-GD (SA6D140E-2)	– #25794 – #27507	– #27508 –	} Next production –	
176	SAA6D140G3 (SAA6D140)	– #25794 – #27507	– #27508 –		

※ Since the chassis numbers listed above are yet to be confirmed, deem them as a reference information.

List of serial numbers of the applicable machines

No.	Chassis types (Engine types)	Already shipped machines		Already improved newly produced machines		Remarks
		Chassis numbers		Chassis numbers		
		Engine numbers (Jun. '98 – Sept. '99 production)		Engine numbers		
177	HD325-6-E (SAA6D140E2)	#5801 – #5877		#5878 –		Oct. 4 –
		#25797 – #27458		#27459 –		
178	PC750-6 (SAA6D140E2)	#10200 – #10282		#10283 –		Oct. 20 –
		#25719 – #27489		#27490 –		
179	PC750-KU-6 (SAA6D140E2)	–		–		Oct. 7 –
		#26155 – #27461		#27462 –		
180	6M132A-2 (SA6D132)	–		–		
		#10059 – #10063		#10064 –		
181	6M132A-3 (SA6D132)	–		–		
		#10059 – #10063		#10064 –		
182	S6D170-G2 (S6D170)	–		–		} Next production –
		#19001 – #20116		#20117 –		
183	WA600 (S6D170)	–		–		
		#19001 – #20116		#20117 –		
184	WD600-1 (S6D170)	–		–		
		#19001 – #20116		#20117 –		
185	D275A-2-E (S6D170E-2)	#10301 – #10322		#10323 –		Oct. 20 –
		#19001 – #20185		#20186 –		
186	6M170A-1 (SA6D170A)	–		–		} Next production –
		#19001 – #20144		#20145 –		
187	ADE-SA170A (SA6D170A)	–		–		
		#19001 – #20144		#20145 –		
188	DCA600SPK (SA6D170A)	–		–		
		#19001 – #20144		#20145 –		
189	DSG-545 (SA6D170A)	–		–		} Oct. 8 –
		#19001 – #20144		#20145 –		
190	HITAC-A-HI (SA6D170A)	–		–		
		#19001 – #20144		#20145 –		
191	SA170A-G1 (SA6D170A)	–		–		
		#19001 – #20144		#20145 –		
192	SA170A-G2 (SA6D170A)	–		–		
		#19001 – #20144		#20145 –		
193	SA6D170AGN (SA6D170A)	–		–		} Next production –
		#19001 – #20144		#20145 –		
194	SA6D170ATA (SA6D170A)	–		–		
		#19001 – #20144		#20145 –		
195	TAT-SA170A (SA6D170A)	–		–		
		#19001 – #20144		#20145 –		
196	J6D170AE (SA6D170AE1)	–		–		
		#19082 – #20159		#20160 –		
197	D375A-3 (SA6D170E-2)	#17001 – #17599		#17600 –		Oct. 5 –
		#19082 – #20152		#20153 –		
198	WA600-3 (SA6D170E-2)	#50081 – #50179		#50180 –		Oct. 1 –
		#19265 – #20159		#20160 –		

※ Since the chassis numbers listed above are yet to be confirmed, deem them as a reference information.

List of serial numbers of the applicable machines

No.	Chassis types (Engine types)	Already shipped machines		Already improved newly produced machines		Remarks
		Chassis numbers		Chassis numbers		
		Engine numbers (Jun. '98 – Sept. '99 production)		Engine numbers		
199	DCA500SPK (SA6D170B)	–	–	–	–	} Next production –
		#19087 – #19996	#19997 –			
200	DSG-470 (SA6D170B)	–	–	–	–	
		#19087 – #19996	#19997 –			
201	HITAC-B-HI (SA6D170B)	–	–	–	–	
		#19087 – #19996	#19997 –			
202	SA170B-G1 (SA6D170B)	–	–	–	–	
		#19087 – #19996	#19997 –			
203	SA170B-G2 (SA6D170B)	–	–	–	–	
		#19087 – #19996	#19997 –			
204	SA6D170BTA (SA6D170B)	–	–	–	–	
		#19087 – #19996	#19997 –			
205	J6D170BEGD (SA6D170BE1)	–	–	–	–	
		#19087 – #19996	#19997 –			
206	SAA170-G3 (SAA6D170)	–	–	–	–	
		#19087 – #19996	#19997 –			
207	HD465-5-E (SAA6D170E2)	#4701 – #4761	#4762 –		Oct. 5 –	
		#19052 – #20141	#20142 –			
208	PC1100-6 (SAA6D170E2)	#10100 – #10154	#10155 –		Oct. 1 –	
		#19132 – #20142	#20143 –			
209	WA700-3 (SAA6D170E2)	#50001 – #50019	#50020 –		Oct. 12 –	
		#19128 – #20123	#20124 –			
210	WA700-AP-1 (SAA6D170E2)	–	–	–	Next production –	For KA
		#19128 – #20128	#20129 –			
211	D475A-3 (SA12V140)	#10001 – #10043	#10644 –		Oct. 6 –	
		#12041 – #12388	#12389 –			
212	12M140A-1 (SA12V140)	–	–	–	Oct. 29 –	
		#11000 – #11067	#11068 –			
213	12V140-A2 (SA12V140)	–	–	–	} Oct. 1 –	
		#11863 – #12389	#12390 –			
214	12V140-C2 (SA12V140)	–	–	–		
		#11863 – #12389	#12390 –			
215	12V140-G1 (SA12V140)	–	–	–		
		#11863 – #12389	#12390 –			
216	12V140-G2 (SA12V140)	–	–	–		
		#11863 – #12389	#12390 –			
217	12V140-GD (SA12V140)	–	–	–		
		#11863 – #12389	#12390 –			
218	D475A-2 (SA12V140)	–	–	–		Oct. 13 –
		#11859 – #12409	#12410 –			
219	DSG725 (SA12V140)	–	–	–		} Oct. 1 –
		#11863 – #12396	#12397 –			
220	HD785-5E (SA12V140)	#4001 – #4142	#4143 –			
		#11857 – #12401	#12402 –			

※ Since the chassis numbers listed above are yet to be confirmed, deem them as a reference information.

List of serial numbers of the applicable machines

No.	Chassis types (Engine types)	Already shipped machines		Already improved newly produced machines		Remarks
		Chassis numbers		Chassis numbers		
		Engine numbers (Jun. '98 – Sept. '99 production)		Engine numbers		
221	HD785-B-3M (SA12V140)	–		–		Nov. 17 –
		#11857 – #12443		#12444 –		
222	SINKO-COGE (SA12V140)	–		–		Next produc- tion –
		#11863 – #11986		#11987 –		
223	WA800-2 (SA12V140)	–		–		Oct. 12 –
		#11892 – #12402		#12403 –		
224	WA800-3 (SA12V140)	#50001 – #50014		#50015 –		} Next
		#11880 – #12378		#12379 –		
225	WA800-AP-2 (SA12V140)	–		–		} production – For KA
		#11935 – #12421		#12422 –		
226	BR200T-1 (SA6D125E-2)	#1001 – #1169		#1170 –		Oct. 4 –
		#80001 – #81669		#81700 –		

※ Since the chassis numbers listed above are yet to be confirmed, deem them as a reference information.

Caution

Be careful since the applicable Service News is different with the models listed below.

	Applicable machine models	Serial numbers of the applicable machines	Applicable Service News
1	PC128US-1	#1634 – #2245	AT00006
	PC128US-1	#5001 – #5758	
	PC128UU-1	#3659 – #4043	
	PC75UU-3	#16623 – #17650	
2	PC100-6	#46130 – #46555	AT00007
	PC120-6	#61267 – #63138	
	PC200-6 PC200LC-6	#102655 – #106296	
	PC220-6 PC22LC-6	#55617 – #55984	
	PC228USLC-1	#11206 – #11672	
	PC228USLC-2	#15001 – #15311	
	BR350JG-1	#1201 – #1233	

<https://hespareparts.com/>