

INSTALLATION MANUAL

REF NO.	BA00014
DATE	Oct. 10, 2000

(C)

Page 1 of 3

SUBJECT: INSTALLATION OF REAR UNDER MIRROR

PURPOSE: To introduce optional rear under mirror

APPLICATION: WA700-3 Wheel Loaders, S/N 50001 and up
WA700-3L Wheel Loaders, S/N A50001 and up
WA800-3 Wheel Loaders, S/N 50001 and up
WA800-3LC Wheel Loaders, S/N A50001 and up
WA900-3 Wheel Loaders, S/N 50001 and up
WA900-3LC Wheel Loaders, S/N A50001 and up

FAILURE CODE: 5550Z9

DESCRIPTION:

We have prepared an optional rear under mirror to secure visibility of the section right below the rear end of the above wheel loaders.

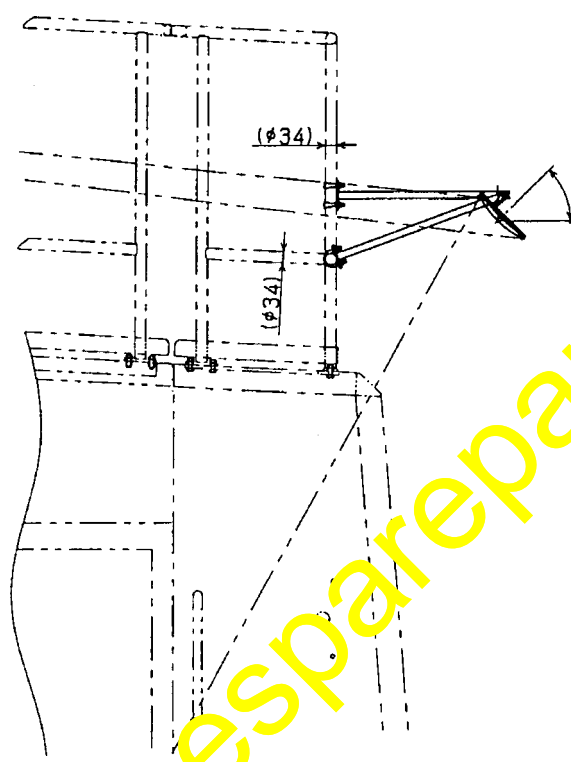
When locally installing this optional mirror, do so following the modification procedures outlined in this *INSTALLATION MANUAL*.

LIST OF NECESSARY PART:

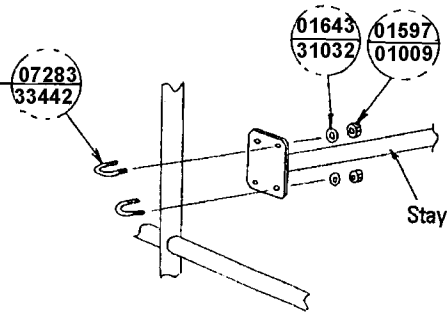
Part No.	Part Name	Q'ty	Remarks
427-976-1130	Mirror	2	Component parts of X250143460
427-976-2110	Stay (R.H.)	1	
427-976-2120	Stay (L.H.)	1	
07283-33442	U-Clamp	8	
01597-01009	Nut	16	
01643-31032	Washer	16	

Installation procedure:

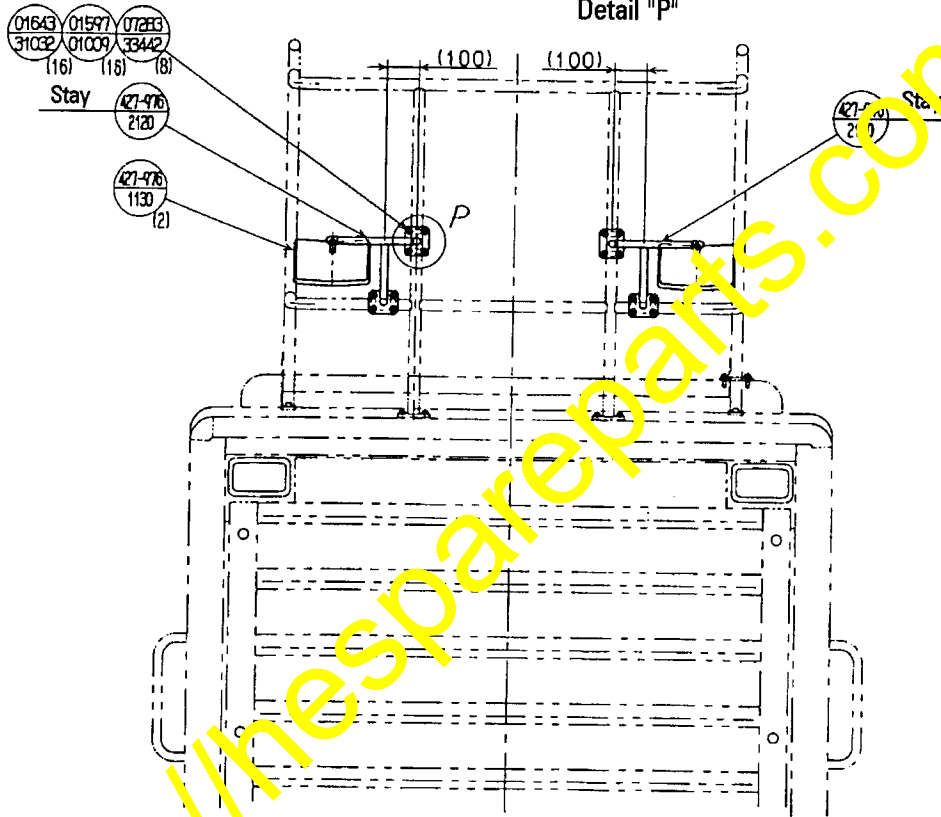
- 1) Adjust LH and RH mirror angles so that the ground as wide as the machine width at rear of counter-weight can be seen from the operator's seat.
- 2) For installation of mirrors (P/N 427-976-1130), use flanged nuts, attached to mirrors.



Nut tightening torque:
10.8 – 26.5 Nm
1.1 – 2.7 kgm



Detail "P"



<https://thespareparts.com/>