

# INSTALLATION MANUAL

REF NO.	BA98009
DATE	July 8, 1998

Page 1 of 3

**SUBJECT:** To provide optional increased cooling package

**PURPOSE:** To provide increased cooling capacity for operation in high ambient temperatures.

**APPLICATION:** WA450-3L Wheel Loader S/N A30001 and above

**FAILURE CODE:** 030099

**DESCRIPTION:**

## Introduction:

This increased cooling package includes a new steel fan, new fan pulley, new fan mounting bolts and a new fan drive belt. Follow the instructions in this manual to prepare the Wheel Loader for operation in high ambient conditions up to 51.7°C (125°F)

**Parts Required:** Service Package 1312 735 H1

## Machine Preparation:

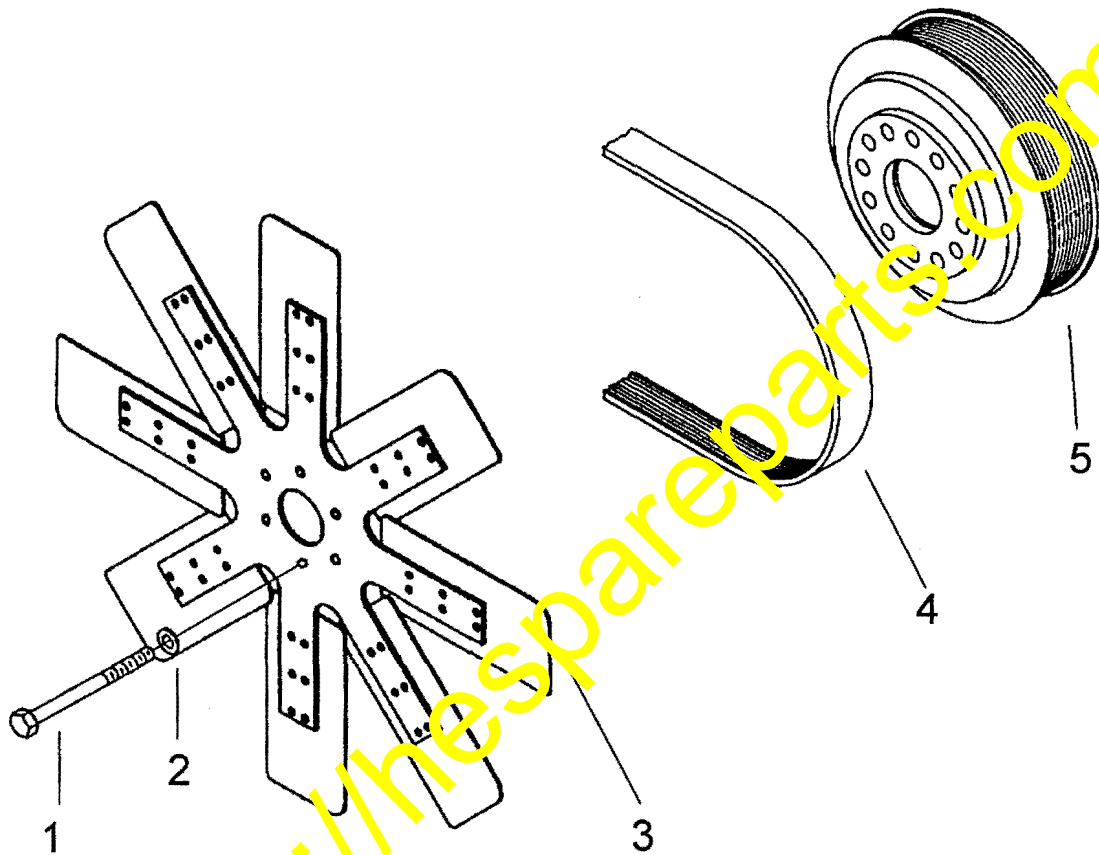
Please observe all safety and precautionary standards as dictated by the environment and work conditions under which the equipment will be inspected, reworked and repaired. Consult the appropriate Shop, Operator's and Maintenance Manuals and your "Komatsu Direct Service Manager" with any/all questions regarding safety.

**NOTE:** These instructions are intended to supplement the service data contained in the appropriate "Shop Manuals". Always refer to these Shop Manuals for removal, installation disassembly and reassembly instructions when not contained in this "Installation Manual".

1. Loosen and remove the fan pulley belt per Cummins Shop Manual.
2. Remove fan and fan drive pulley.
3. Install new P/N 1312 735 H1 pulley, existing fan spacer and new 421 01 A1640 fan provided with (6) 25684R1 bolts. Torque bolts to 28 lbft.
4. Install and adjust the poly V belt 1312 702 H1 per Cummins Shop Manual.

**COOLING SYSTEM**

INCREASE COOLING PACKAGE KIT



<https://thespareparts.com/>

E5AU0006

E5AU0006

**COOLING SYSTEM**

## INCREASE COOLING PACKAGE KIT

Item	Part Number	Description	Qty.	Ref.
	1312 736 H91	KIT, INCREASED COOLING . . . . .	1	
1	25 684 R1	BOLT, HEX HEAD (3/8NC x 5 1/2) . . . . .	6	
2	25 544 R1	WASHER (3/8 FLAT) . . . . .	6	
3	421-01-A1640	FAN, BLOWER . . . . .	1	
4	1312 702 H1	BELT, FAN . . . . .	1	
5	1312 735 H1	PULLEY, FAN . . . . .	1	

<https://hespareparts.com/>