

INSTALLATION MANUAL

REF NO.	BT98044
DATE	Dec. 24, 1998

Page 1 of 7

SUBJECT: PROCEDURE FOR SIMULTANEOUS INSTALLATION OF WATER SEPARATOR AND INFERIOR FUEL FILTER ON GD825A-2

PURPOSE: To introduce simultaneous installation procedures for the inferior fuel filter and water separator onto GD825A-2 motor graders

APPLICATION: GD825A-2 Motor Graders, Serial Nos. 12001 and up

FAILURE CODE: 041299

DESCRIPTION:

1. Introduction

When locally installing the inferior fuel filter and water separator simultaneously onto the GD825A-2 motor graders, follow the installation procedures outlined in this Service News.

※ This Service News is being issued to comply with the request from the Philippine market to make simultaneous installation of these parts locally.

2. List of parts

No.	Part No.	Part Name	Q'ty	Remarks
1	235-04-11310	Bracket	1	
2	235-04-11320	Bracket	1	
3	6090-02-4692	Fuel filter	1	
4	01011-81010	Bolt	2	
5	01011-81030	Bolt	2	
6	01643-31032	Washer	4	
7	235-04-11330	Cover	1	
8	01010-81020	Bolt	4	
9	01643-31032	Washer	4	
10	235-04-11340	Cover	1	
11	01010-81020	Bolt	4	
12	01643-31032	Washer	4	
13	600-311-9731	Water SEP. A	1	
14	01010-51025	Bolt	2	
15	01643-31032	Washer	2	
16	235-04-31330	Bracket	1	
17	01010-50820	Pin	2	
18	01643-30823	Washer	2	
19	07005-01412	Seal	4	
20	237-04-12150	Tube	2	
21	07200-31014	Joint	2	
22	07281-00197	Clamp	2	
23	01435-51710	Clip	1	
24	01010-81020	Bolt	1	
25	01643-31032	Washer	1	
26	07261-20928	Hose	2	
27	07281-00197	Clamp	2	
28	235-04-11360	Tube	1	
29	08034-00310	Band	1	

No.	Part No.	Part Name	Q'ty	Remarks
33	07260-20940	Hose	1	
34	07281-00197	Clamp	1	
35	235-04-31320	Tube	1	
36	07005-01412	Gasket	2	
37	07206-31014	Joint	1	
38	238-74-12110	Tube	1	
39	07281-00197	Clamp	1	
40	07206-31014	Joint	1	
41	07005-01412	Gasket	2	
42	07281-00197	Clamp	1	
43	08034-00519	Band	1	
44	07260-20980	Hose	1	
45	08034-00823	Band	1	

<https://hespareparts.com/>

Installation of the fuel filters

1. Installation of the inferior fuel filter

(1) Reworking with the grill

Weld the parts ① and ② to the grill (RH side) according to the designations given in Fig. 1 below.

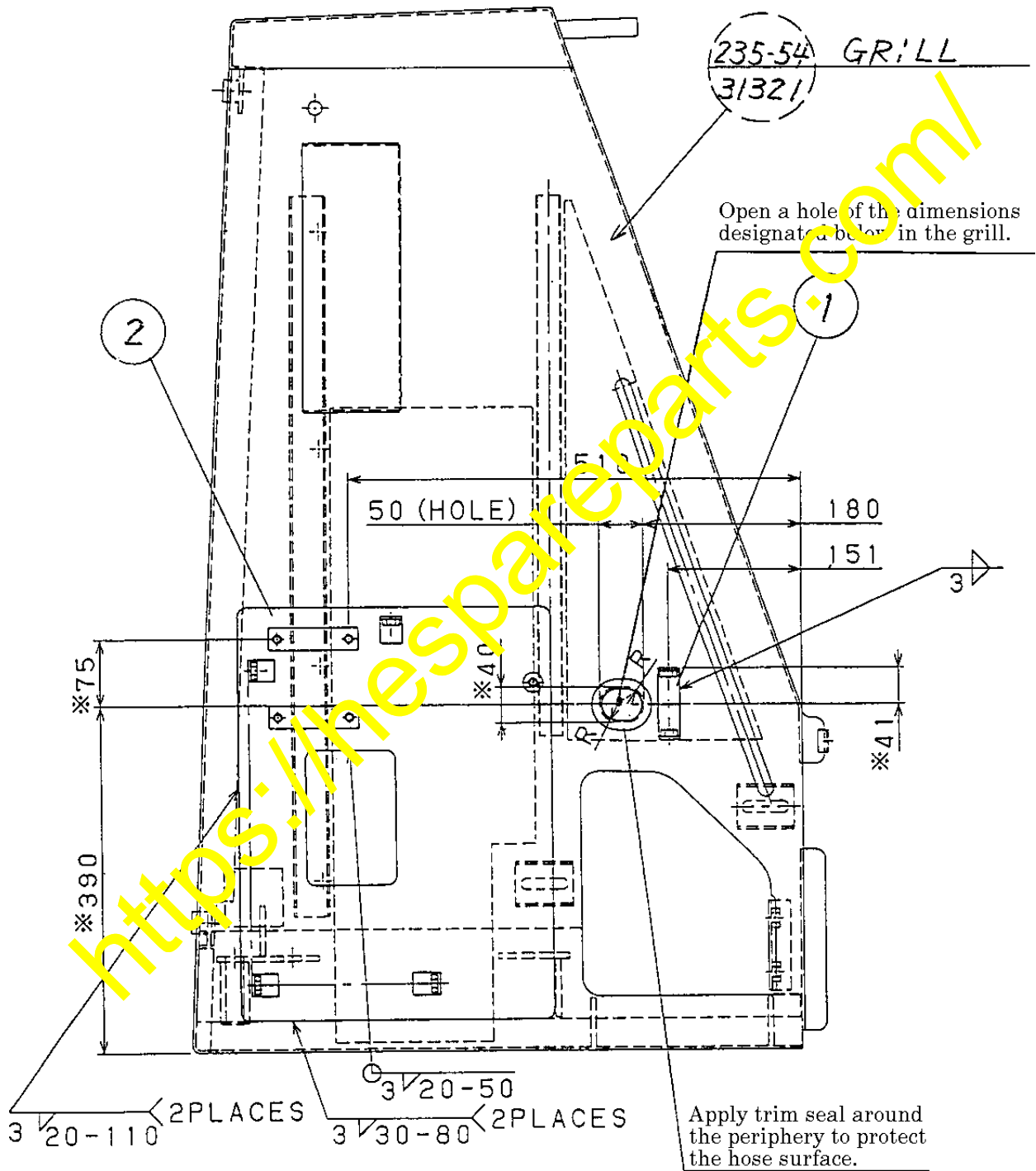


Fig. 1

(2) Installation procedures for the inferior fuel filter

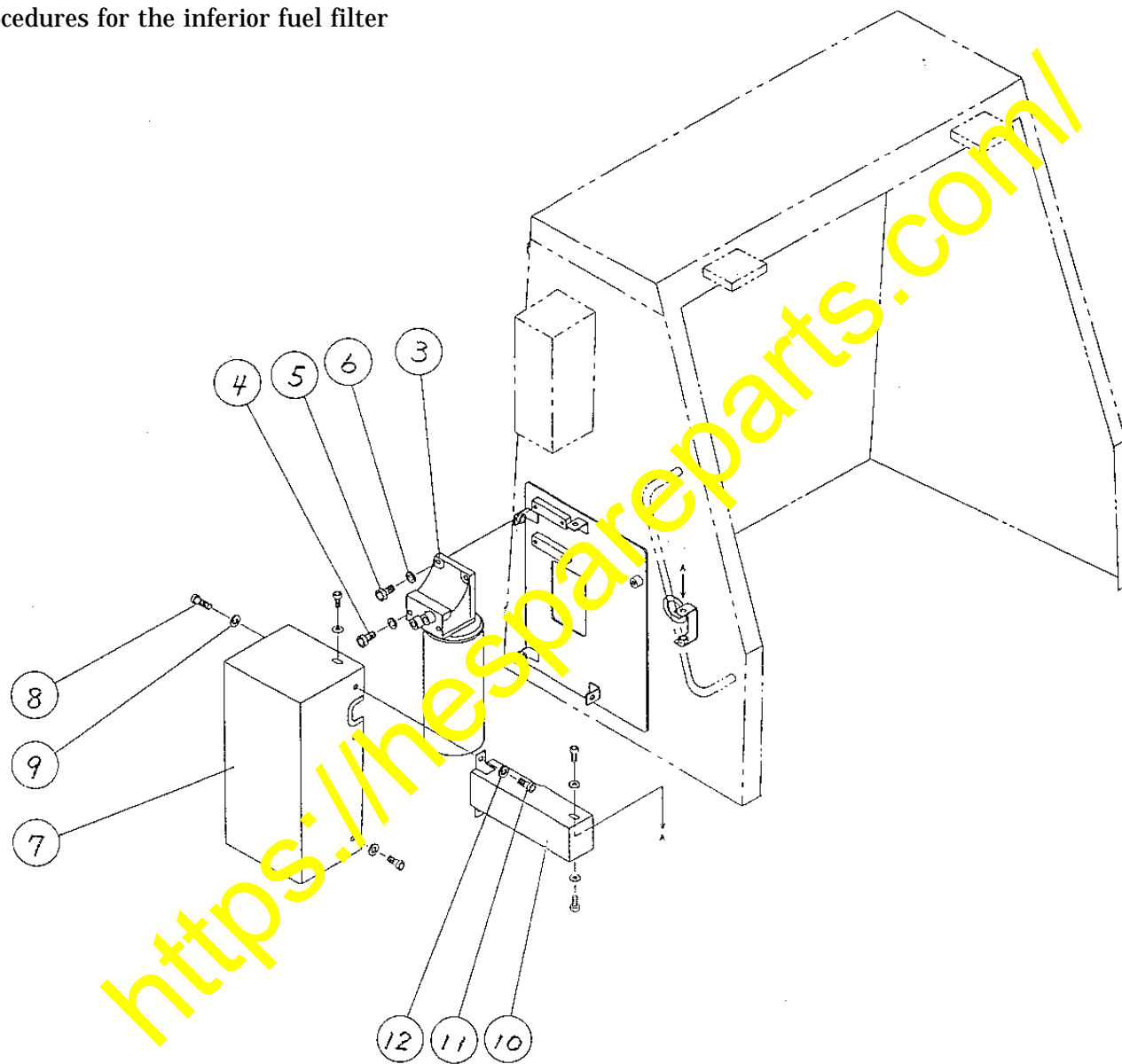


Fig. 2

2. Installation procedures for the water separator

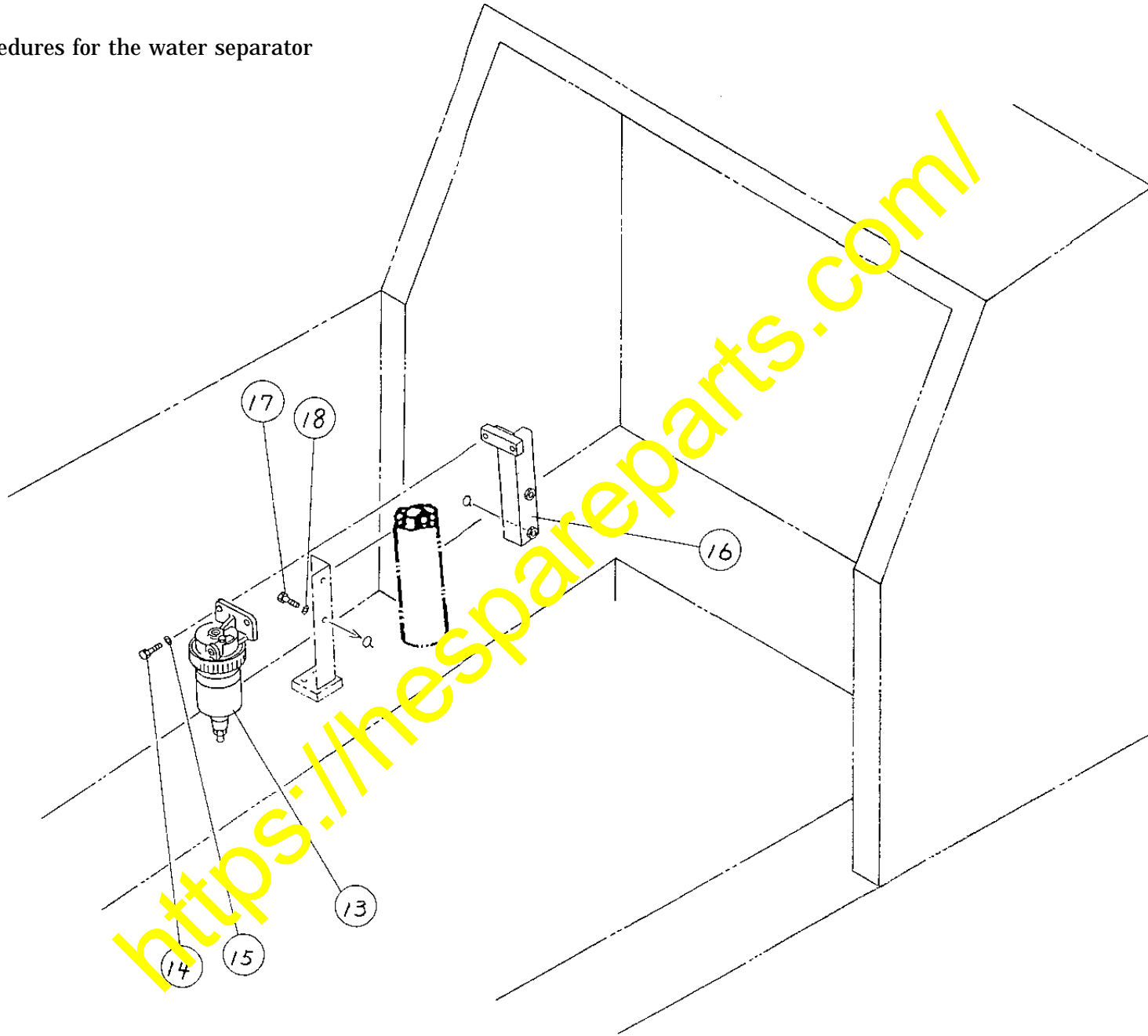


Fig. 3

1. Disconnect the hose "A" and connect to the joint, then install to the port "IN" of the inferior fuel filter.
2. Connect the hose coming from the port "OUT" of the inferior fuel filter to the port "IN" of the water separator (to the "B" in the schematic diagram given below).
3. Connect the hose coming from the port "OUT" of the water separator to the fuel injection pump.

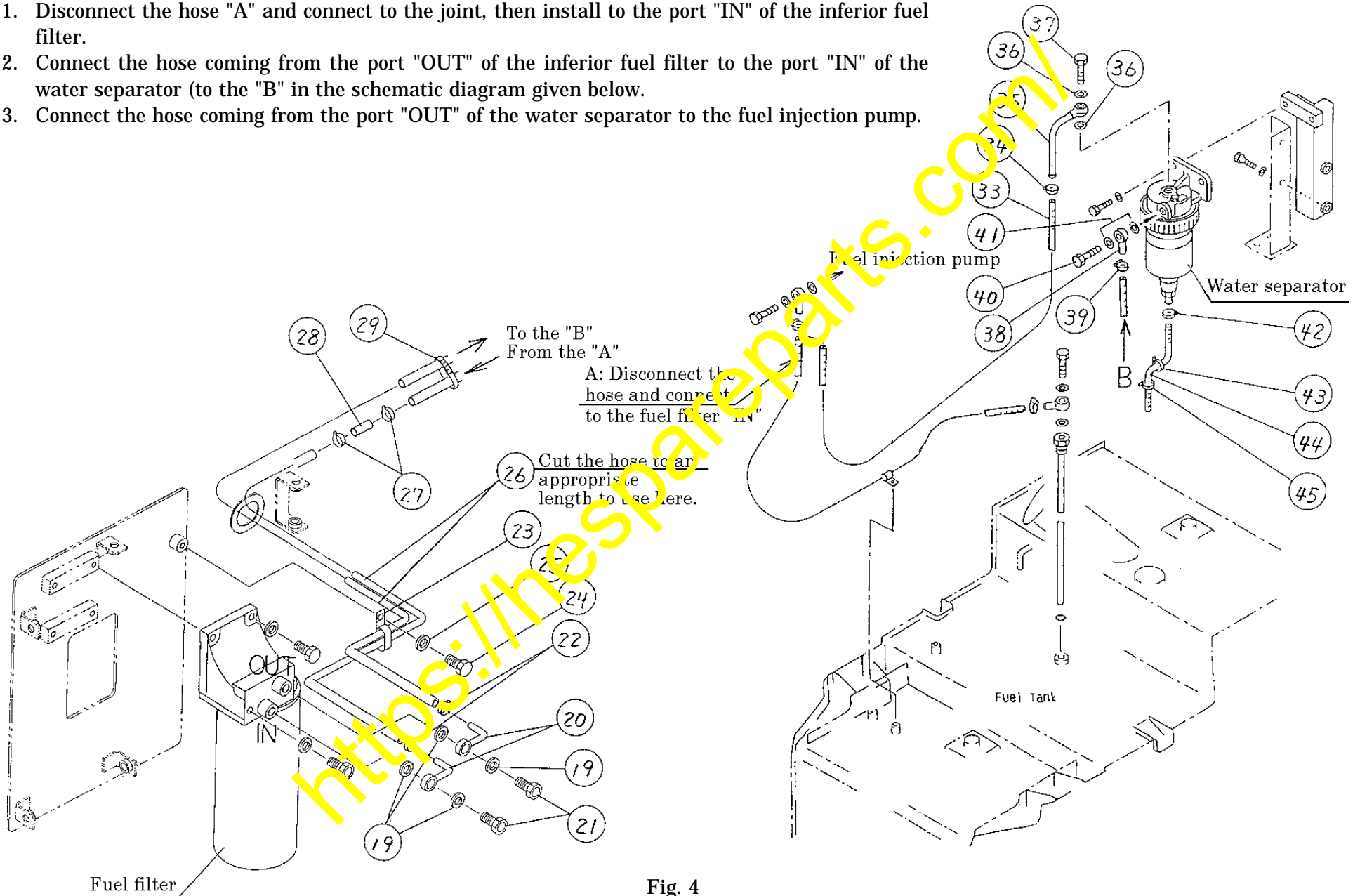


Fig. 4